

4

3

2

1

Retaining Ring: Wire [0.039 CS X 1.205 OD INSTALLED] 304 SS

Spacer: Bottom Out, Bearing Side [1.177 OD, 0.050 THK]

Seal, Custom, O-Ring, X2 Air Piston, LTS

Bearing: Backup Ring, External, [Ø1.600 BORE]

GREASE: THIN LAYER OF SLICK HONEY

GREASE: THIN LAYER OF SLICK HONEY

GREASE: THIN LAYER OF SLICK HONEY

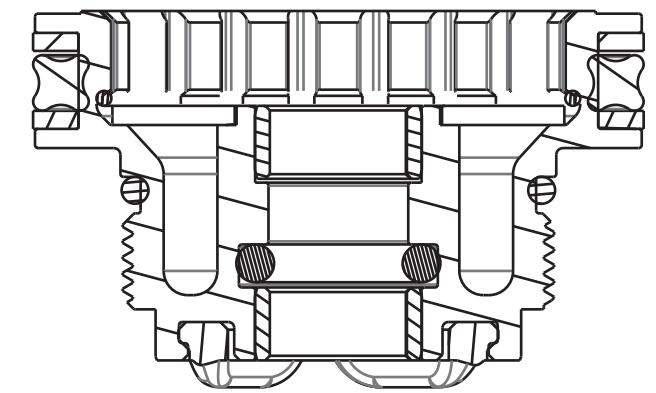
Bearing, (T): Internal [9mm ID X 11mm OD X .190" TLG, 9mm Shaft]

Bearing Housing: Float X2, Black (1.250 Body, 1.600 Air Sleeve, 9mm Steel Shaft, B/O Spacer)

029-12-022
Seals: O-Ring [(-022) .070 C.S. X 0.989 ID] Standard, Polyurethane Parker 4300/92D, Static

029-08-123
Seals: O-ring [8.5mm ID x 2.5mm CS], Metric, Polyurethane 92A, or Disogrin 90A

008-00-011
Bumper: T/O [Ø0.375 Shaft, 0.100 TLG] Nitrile, 60A



SECTION A-A

FOX FOX Factory, Inc. Ph 831-768-1100
130 Hangar Way, Watsonville, CA 95076 USA Fax 831-768-9312

TITLE
Bearing Assy: 2019 Float X2, [1.940 Bore
1.600 Bore, 9mm Shaft], B/O Spacer

SIZE DWG. NO. **C** 812-06-091-KIT

PLOT SCALE 2:1 SHEET 1 OF 1

- PROPRIETARY -
THIS DOCUMENT CONTAINS CONFIDENTIAL, PROPRIETARY INFORMATION
THAT IS FOX PROPERTY. DO NOT DISCLOSE TO OR DUPLICATE
FOR OTHERS EXCEPT AS AUTHORIZED BY FOX.

4

3

2

1

ProE ASSEM