

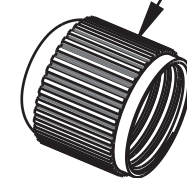
4

3

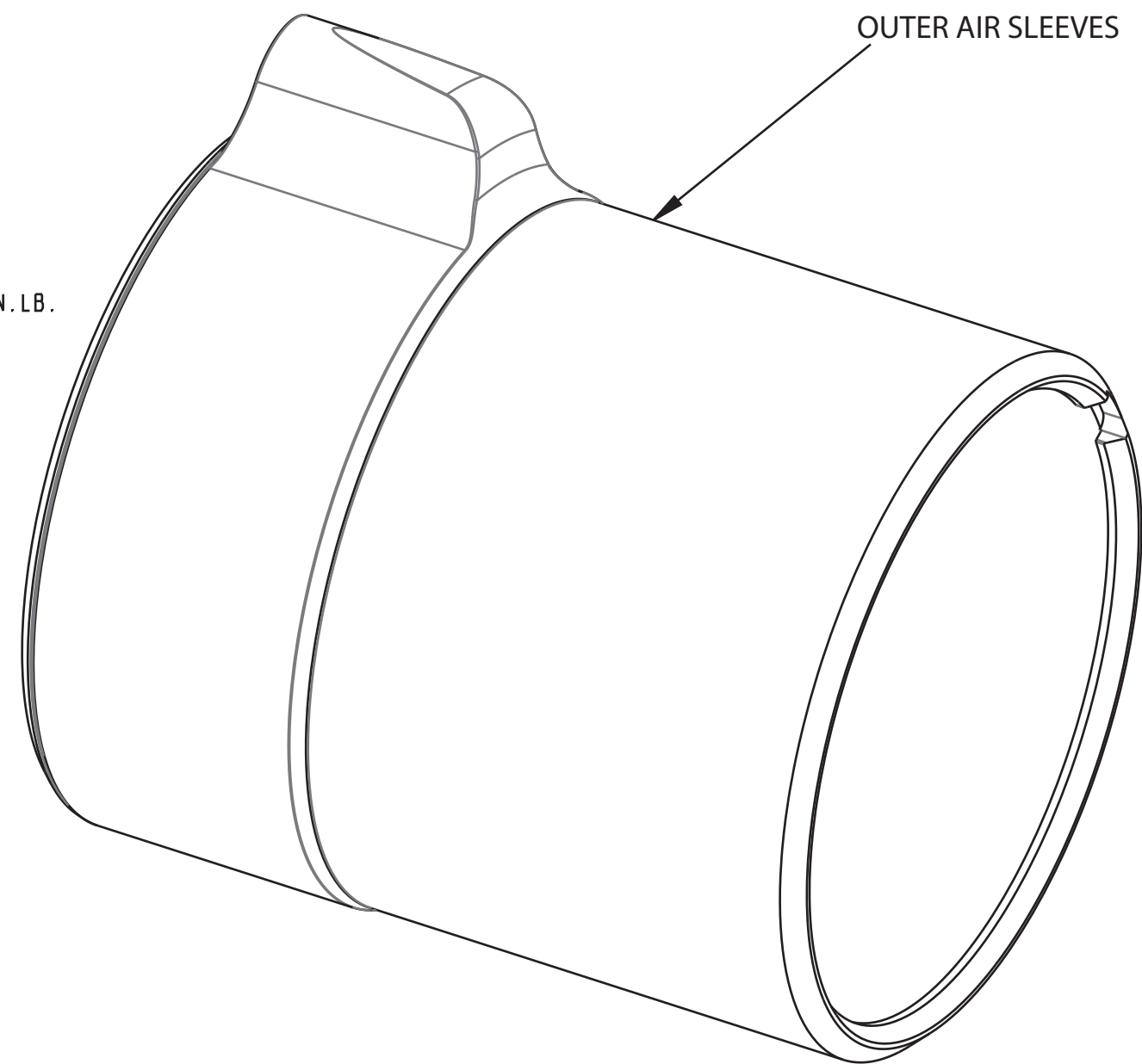
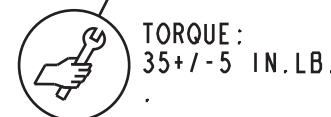
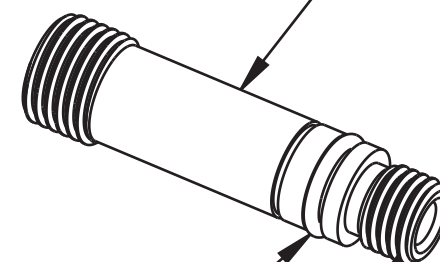
2

1

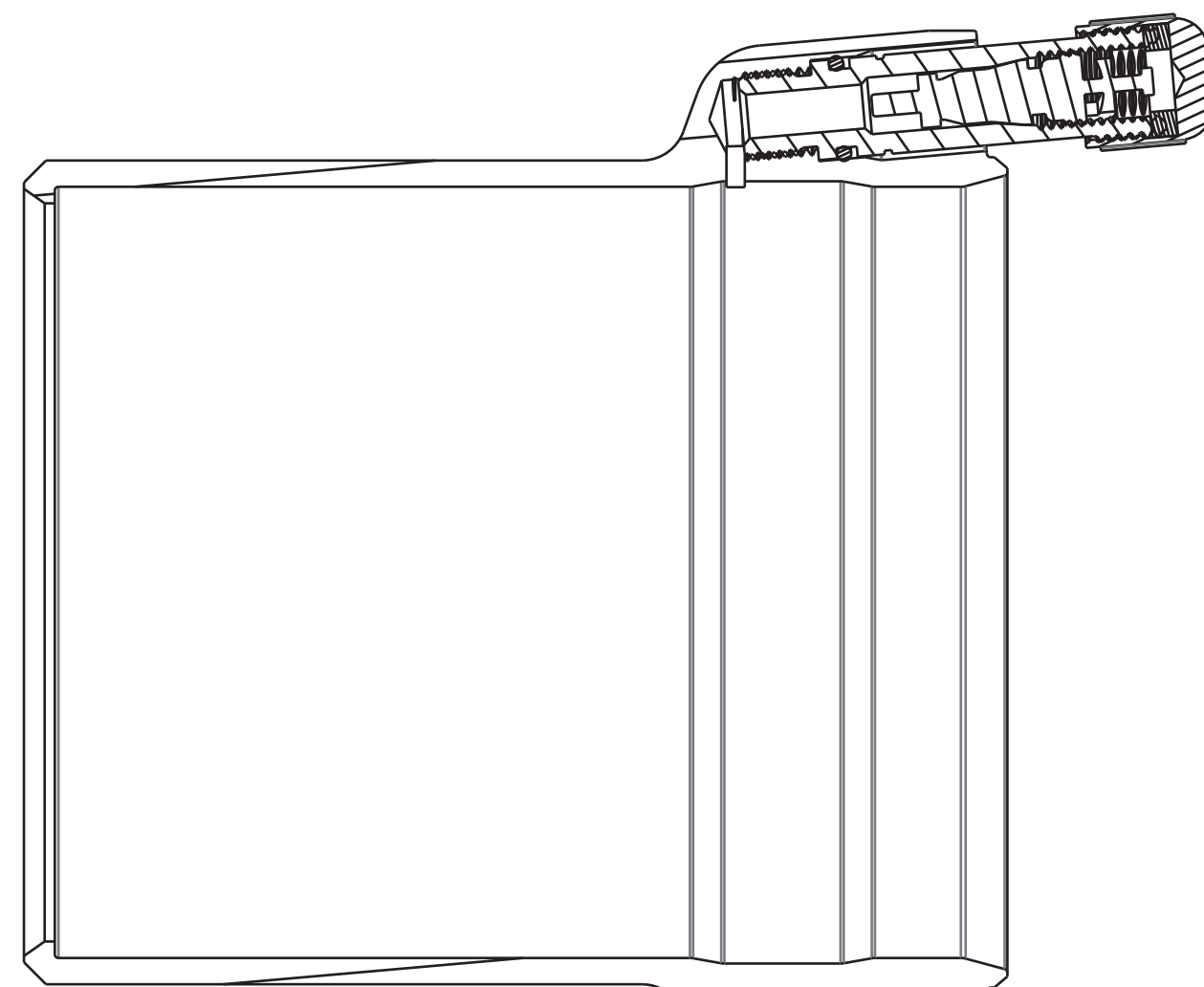
010-00-057
 Air Valve Parts: Cap, Air Valve [.305-.32], Black, 6061



802-00-007-KIT
 Air Valve Assy: Slim[M6 X .75, 1.150 TLG]



OUTER AIR SLEEVES



SECTION **A-A**

FOX FOX Factory, Inc. Ph 831-768-1100
 130 Hangar Way, Watsonville, CA 95076 USA Fax 831-768-9312

TITLE
2019 FLOAT X2 OUTER AIR SLEEVES

SIZE DWG. NO.

C

PLOT SCALE 2:1

SHEET 1 OF 1

- PROPRIETARY -
 THIS DOCUMENT CONTAINS CONFIDENTIAL, PROPRIETARY INFORMATION
 THAT IS FOX PROPERTY. DO NOT DISCLOSE TO OR DUPLICATE
 FOR OTHERS EXCEPT AS AUTHORIZED BY FOX.

4

3

2

ProE ASSEM