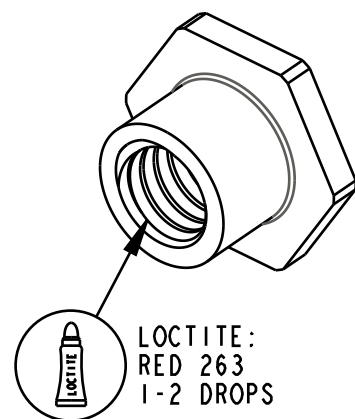


4

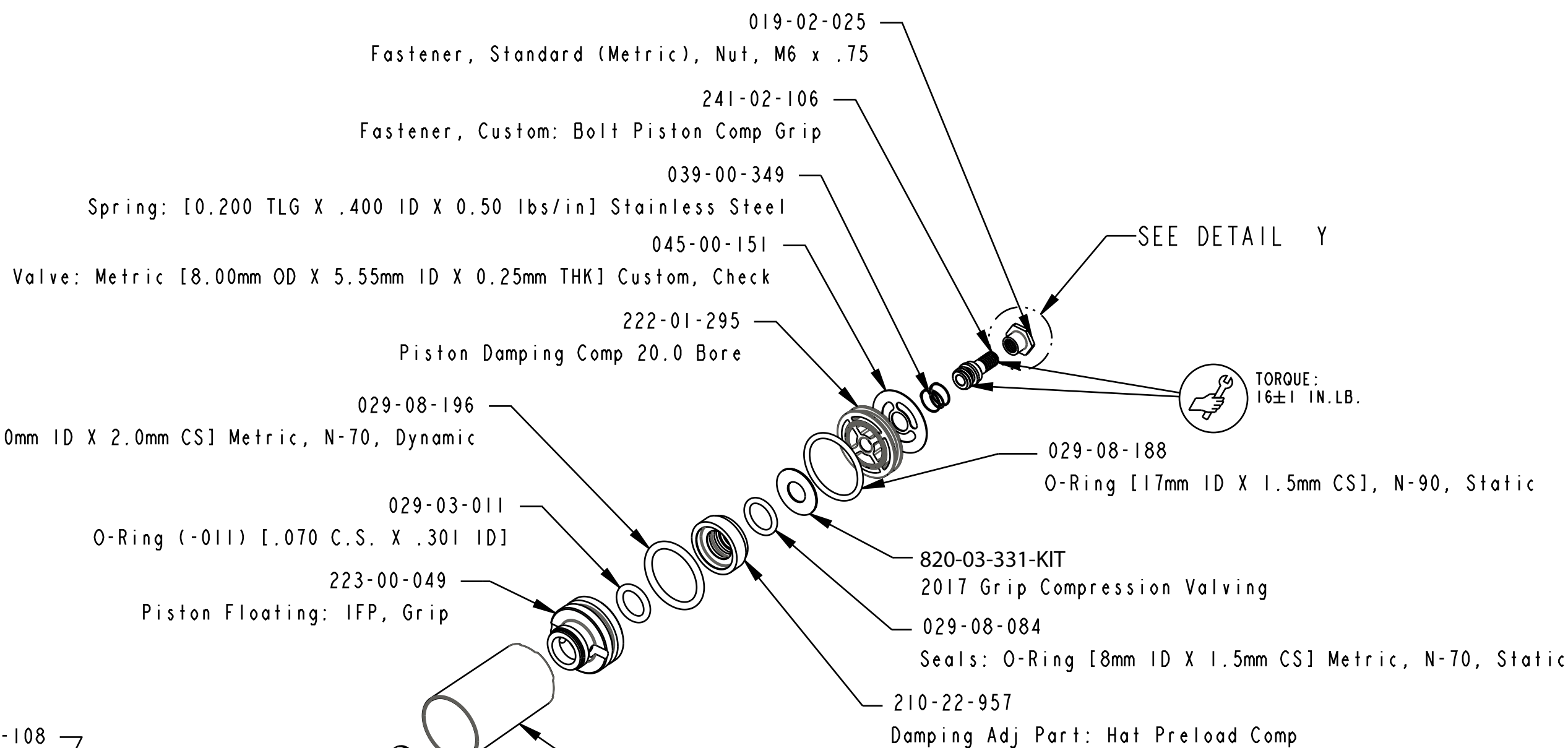
3

2

1

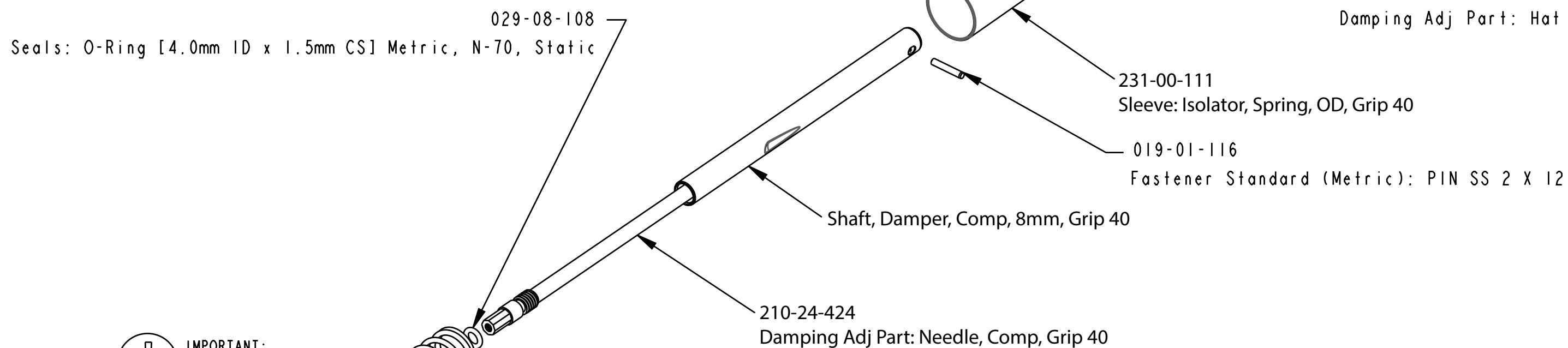


DETAIL Y

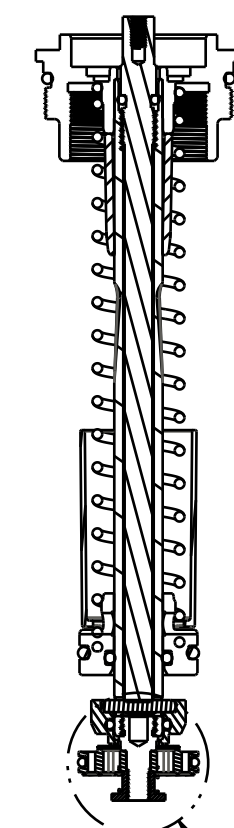
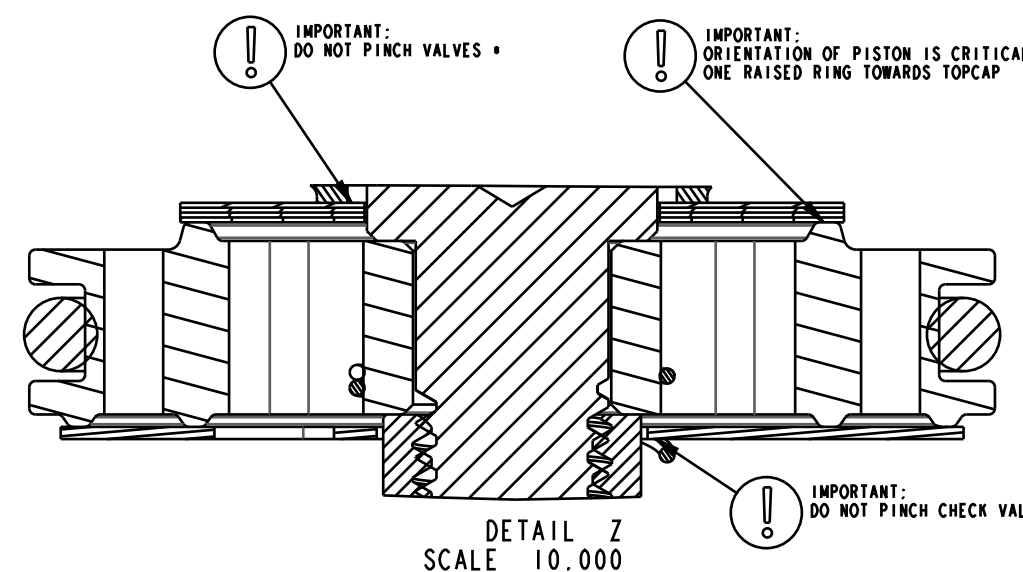
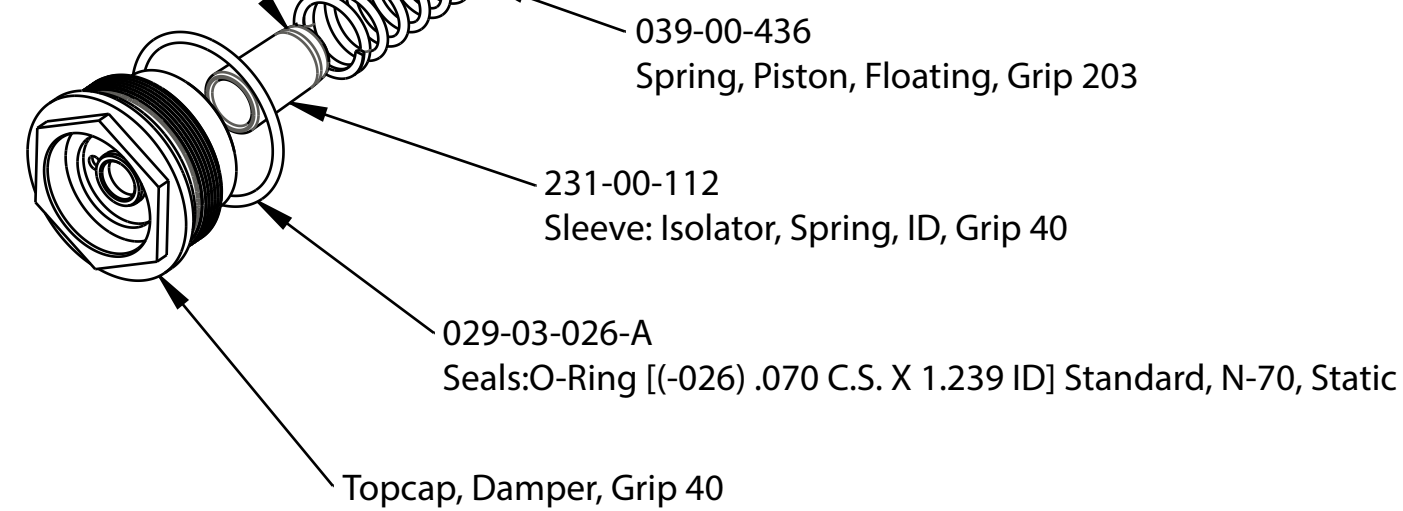


TORQUE:
16±1 IN.LB.

Seals: O-Ring [4.0mm ID x 1.5mm CS] Metric, N-70, Static



IMPORTANT:
NOTE ORIENTATION
THIS END TAPERED



SEE DETAIL Z

PROPRIETARY
THIS DOCUMENT CONTAINS CONFIDENTIAL, PROPRIETARY INFORMATION
THAT IS FOX PROPERTY. DO NOT DISCLOSE TO OR DUPLICATE
FOR OTHERS EXCEPT AS AUTHORIZED BY FOX.

FOX Factory, Inc.
 130 Hangar Way, Watsonville, CA 95076 USA
 Ph 831-768-1100
 Fax 831-768-9312

TITLE
**2019 40 FIT Grip Damper,
 Topcap Assy**

SIZE DWG. NO.
C 820-05-527-KIT

PLOT SCALE 0.80:1 SHEET 1 OF 1