

4

3

2

1

D

D

C

C

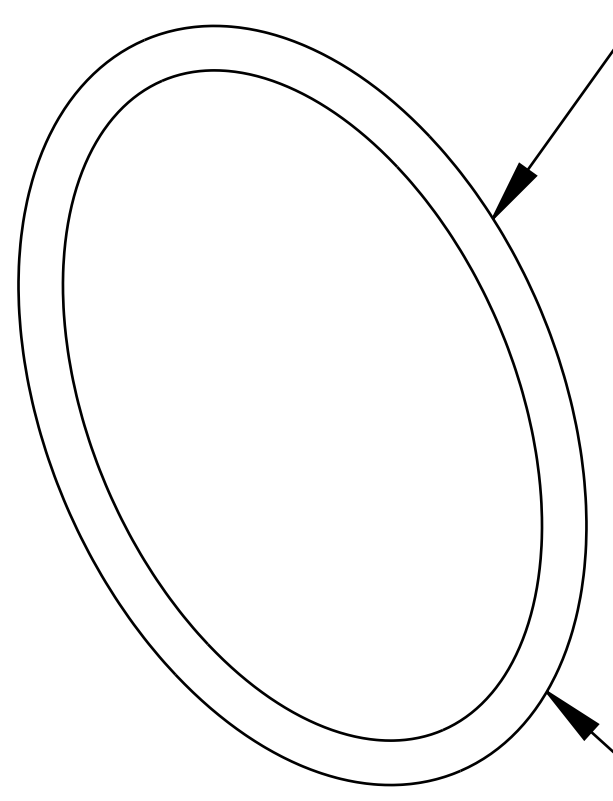
B

B

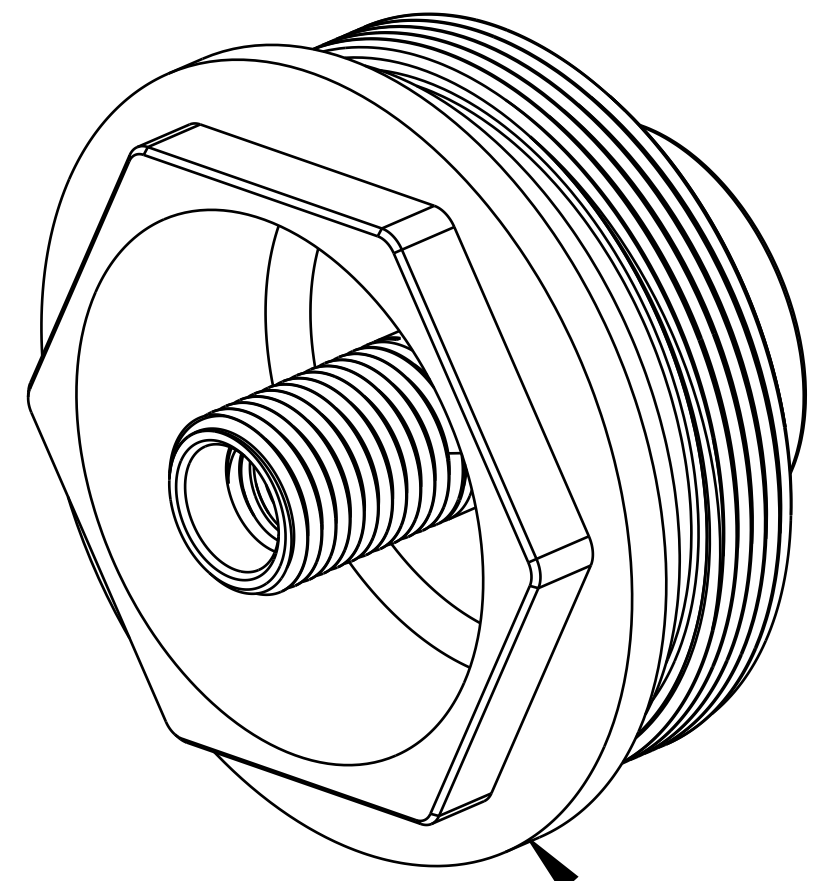
A

A

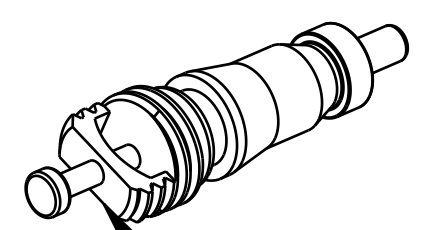
GREASE:
THIN LAYER
OF SLICK HONEY



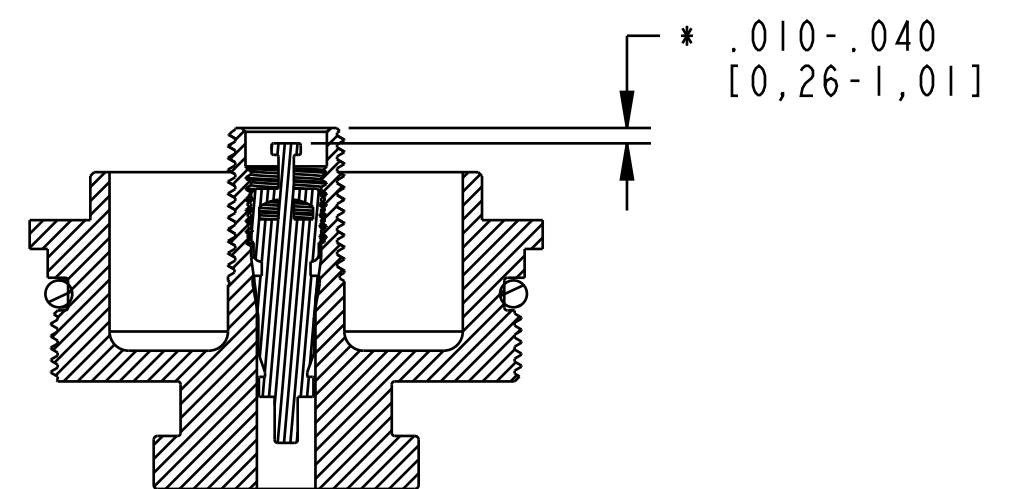
029-03-025-A
Seals:O-Ring [(-025) .070 C.S. X 1.176 ID] Standard, N-70, Static



Topcap, FLOAT NA 2 LC, 36, Black Ano



010-00-005
Air Valve Parts: Core, "Eaton", Blue, low pressure



SECTION A-A

- PROPRIETARY -
THIS DOCUMENT CONTAINS CONFIDENTIAL, PROPRIETARY INFORMATION
THAT IS FOX PROPERTY. DO NOT DISCLOSE TO OR DUPLICATE
FOR OTHERS EXCEPT AS AUTHORIZED BY FOX.

FOX		FOX Factory, Inc.		Ph 831-768-1100
130 Hangar Way, Watsonville, CA 95076 USA		Fox 831-768-9312		
TITLE	Topcap Assy, 2018 FLOAT LC NA2, 36, Black			
SIZE	DWG. NO.	820-05-419-KIT		
C	PLOT SCALE 2.00:1		SHEET 1 OF 1	

4

3

2

1