

REFERENCE ONLY
(FOR INSTALLATION
INTO FORK)

TORQUE:
110±5
IN-LBS

210-03-120
Knob, Rebound, 2011 36_40

LOCTITE:
BLUE 242
ONE DROP

018-01-004-A
Fastener, Standard: Screw [#8-32 X 0.250 TLG]

TORQUE:
5.0±1.0 IN. LB.

241-00-011
Fastener, Custom: Nut, Bottom, R

241-01-011
Fastener, Custom: Crush Washer, Plastic, 13mm

820-05-335-KIT
2016 FIT4 Bottom Stud Interface Parts 34

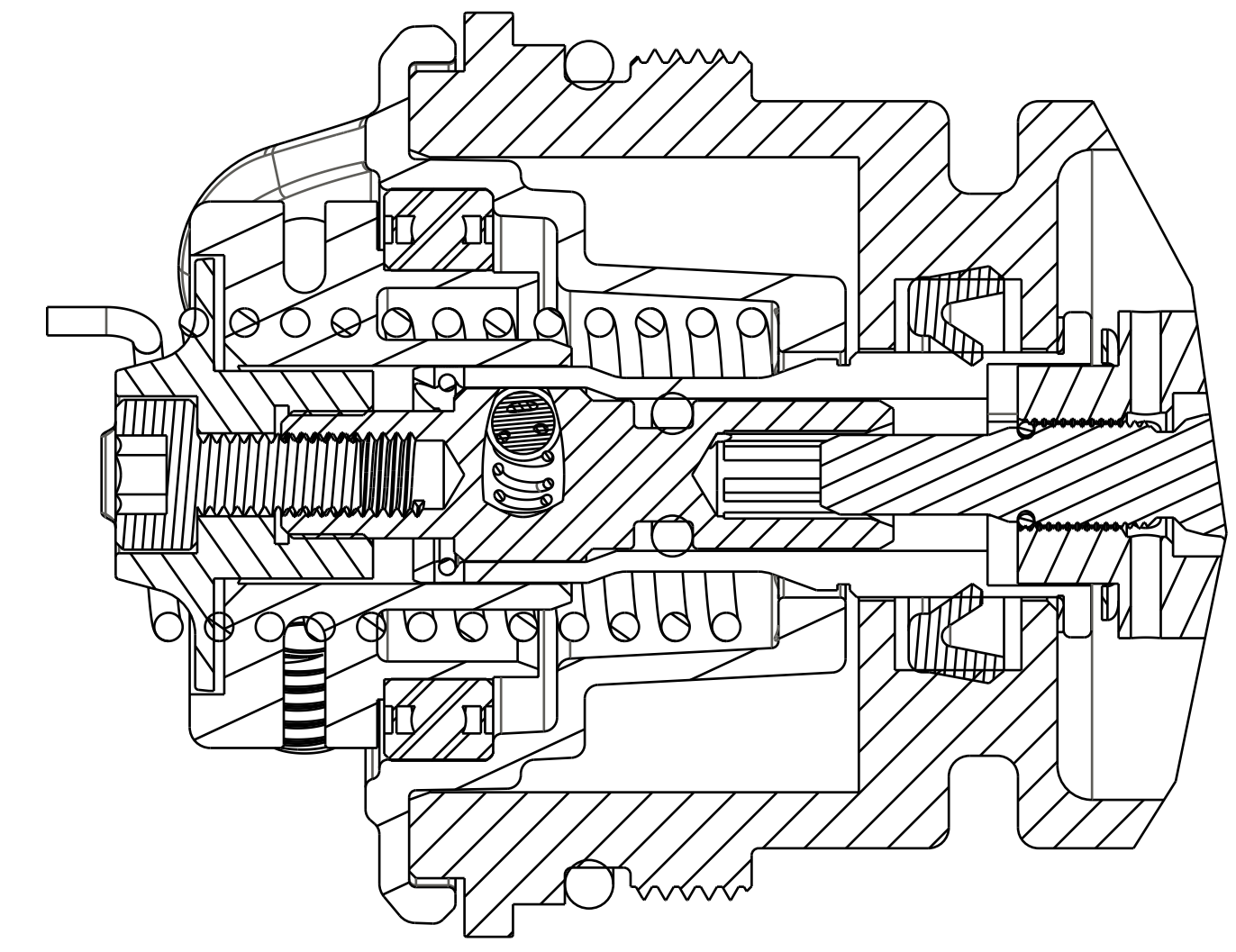
CARTRIDGE ASSY

Topcap Interface Parts:
820-05-455-KIT 2018 FIT4 TopCap Interface Parts F-S Remote, U-Cup, Push-Unlock
820-05-456-KIT 2018 FIT4 TopCap Interface Parts F-S Remote, U-Cup, Push-Lock

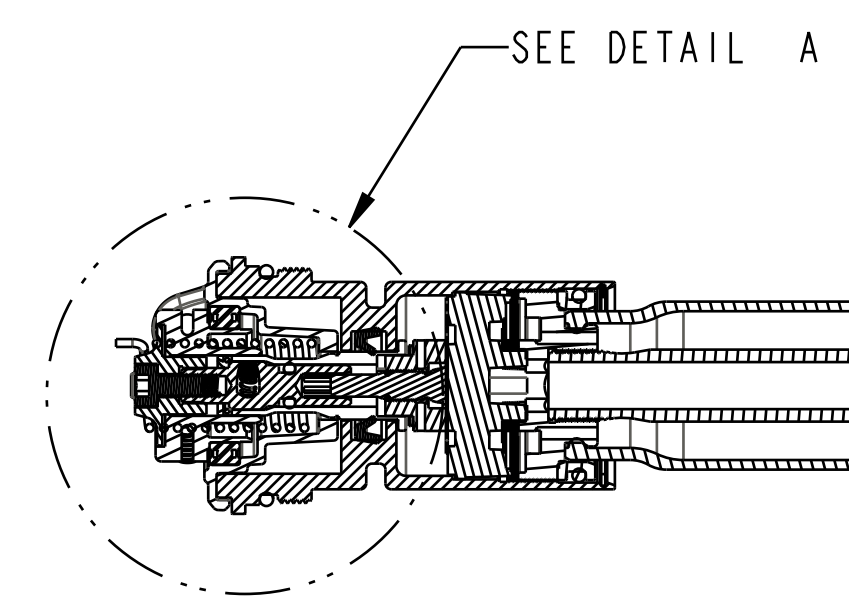
TORQUE:
11±3 IN-LBS

TORQUE:
220±5 IN. LB.

REFERENCE ONLY
(FOR INSTALLATION
INTO FORK)



DETAIL A
SCALE 4:1



SECTION A-A

FOX Factory, Inc. Ph 831-768-1100
130 Hangar Way, Watsonville, CA 95076 USA Fax 831-768-9312

TITLE
**2019 34 E-Bike+ F-S FIT4
Remote Cartridge Assemblies Complete**

SIZE DWG. NO.
D |

PLOT SCALE 1.00:1 | SHEET 1 OF 1

PROPRIETARY
THIS DOCUMENT CONTAINS CONFIDENTIAL, PROPRIETARY INFORMATION
THAT IS FOR PROPERTY. DO NOT DISCLOSE TO OR DUPLICATE
FOR OTHERS EXCEPT AS AUTHORIZED BY FOX.