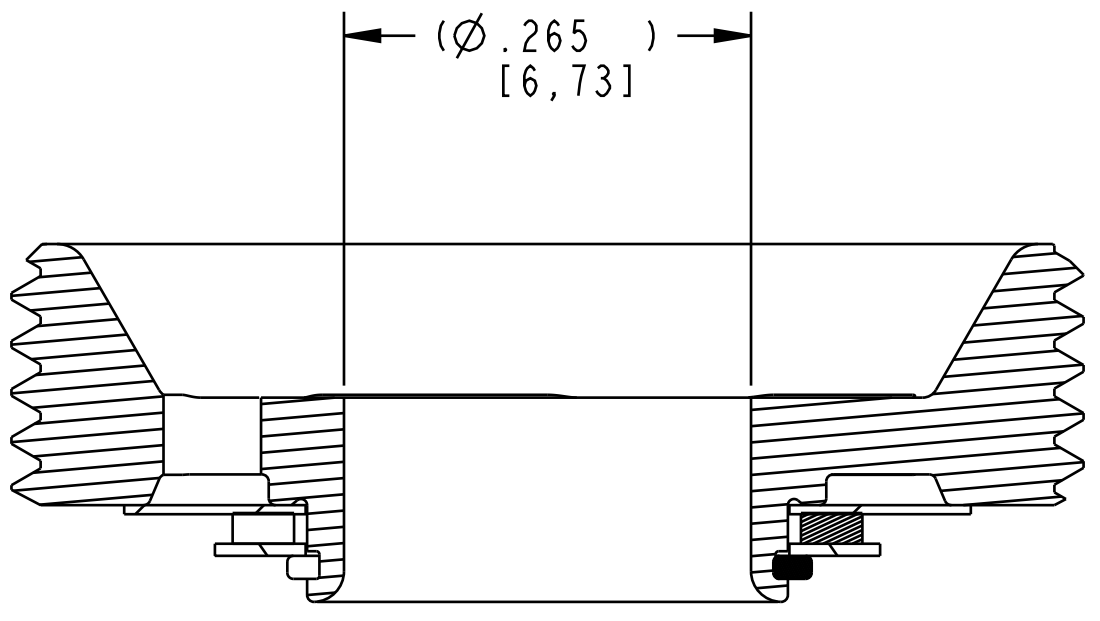
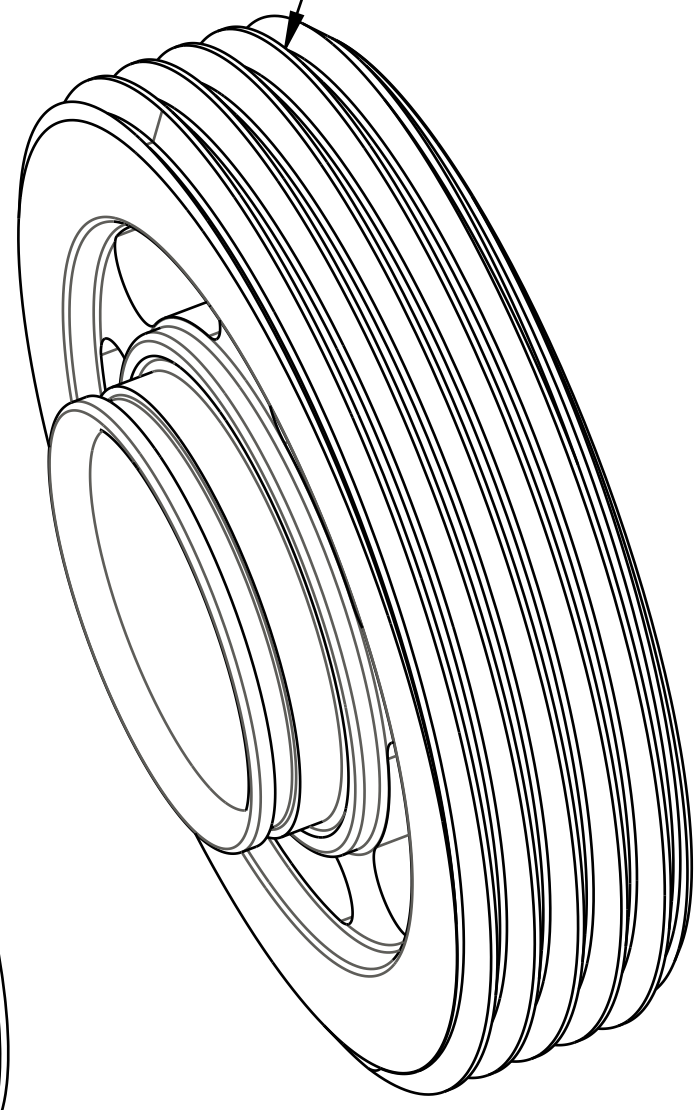
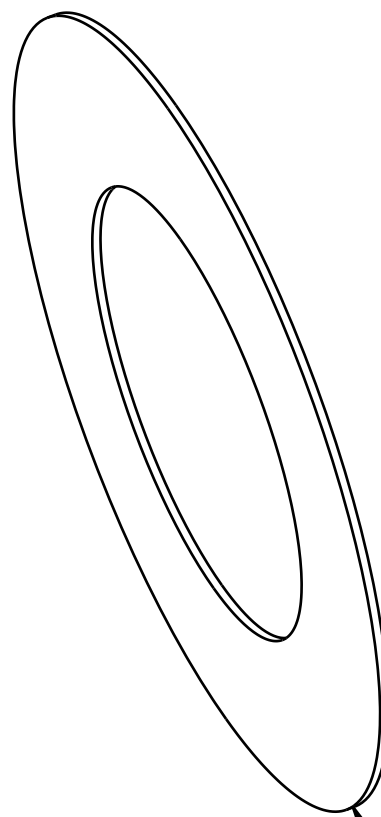
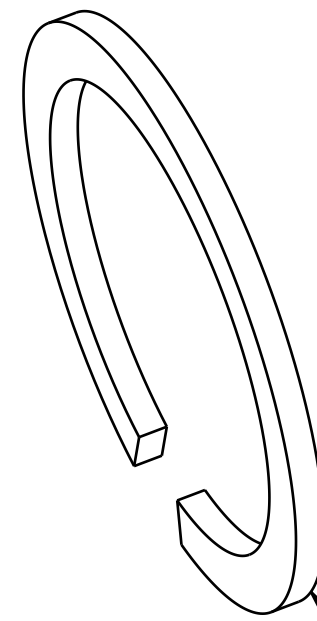
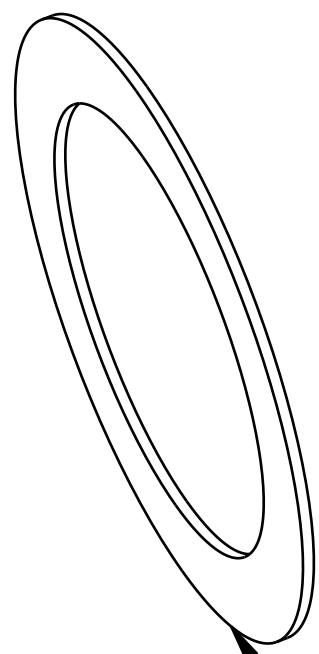
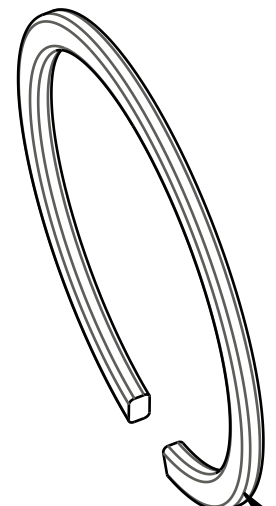


REFERENCE VIEW  
SCALE 4:1

Housing: Base Valve, DHX2, FloatX2



SECTION A-A



038-00-127  
Retaining Ring: Smalley VS31S16

045-20-811

039-00-391

045-15-814  
Valve: Metric [14.0mm OD X 8.0mm ID X 0.15mm TH]

		<b>FOX Factory, Inc.</b>	Ph 831-768-1100
		130 Hangar Way, Watsonville, CA 95076 USA	Fax 831-768-9312
TITLE Valve Seat Assy: Compression, .265" Bore, X2			
SIZE <b>C</b>	DWG. NO. <b>815-02-070-KIT</b>		
PLOT SCALE 8.00:1		SHEET 1 OF 1	

PROPRIETARY -  
THIS DOCUMENT CONTAINS CONFIDENTIAL, PROPRIETARY INFORMATION  
THAT IS FOX PROPERTY. DO NOT DISCLOSE TO OR DUPLICATE  
FOR OTHERS EXCEPT AS AUTHORIZED BY FOX.