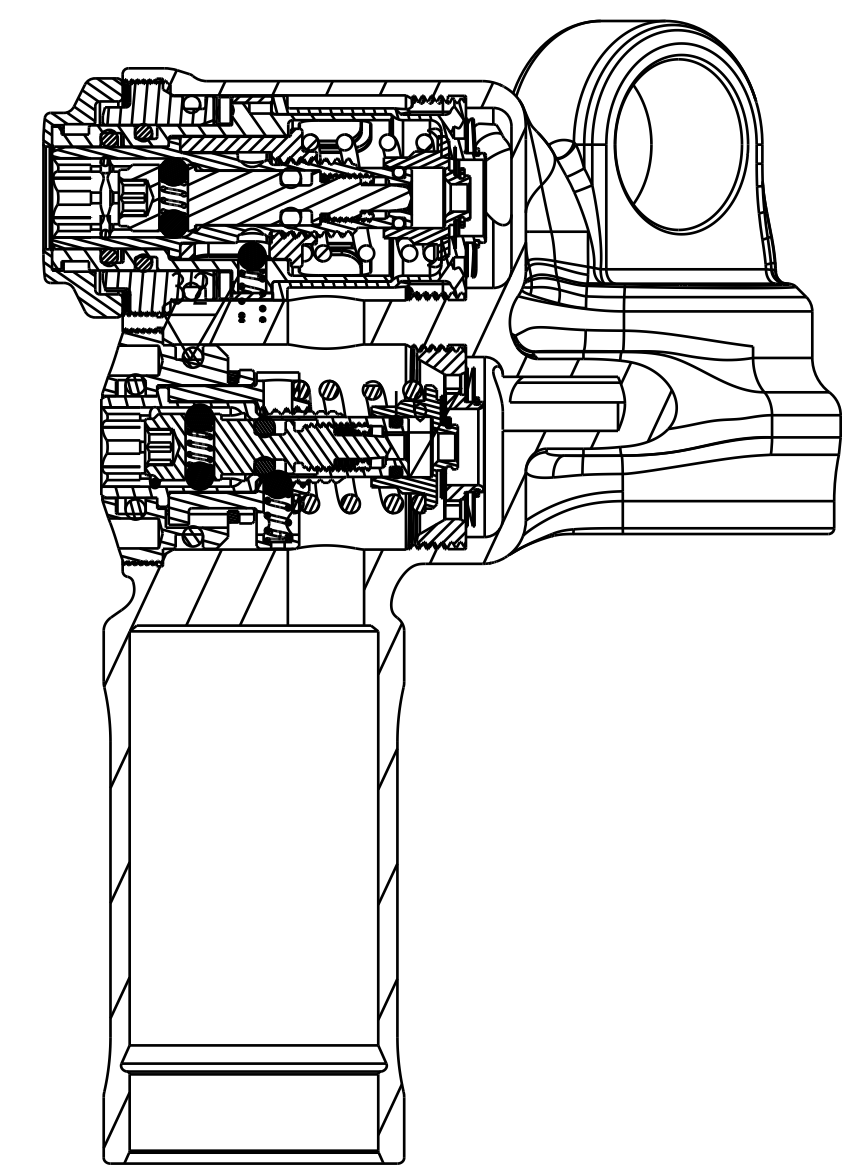
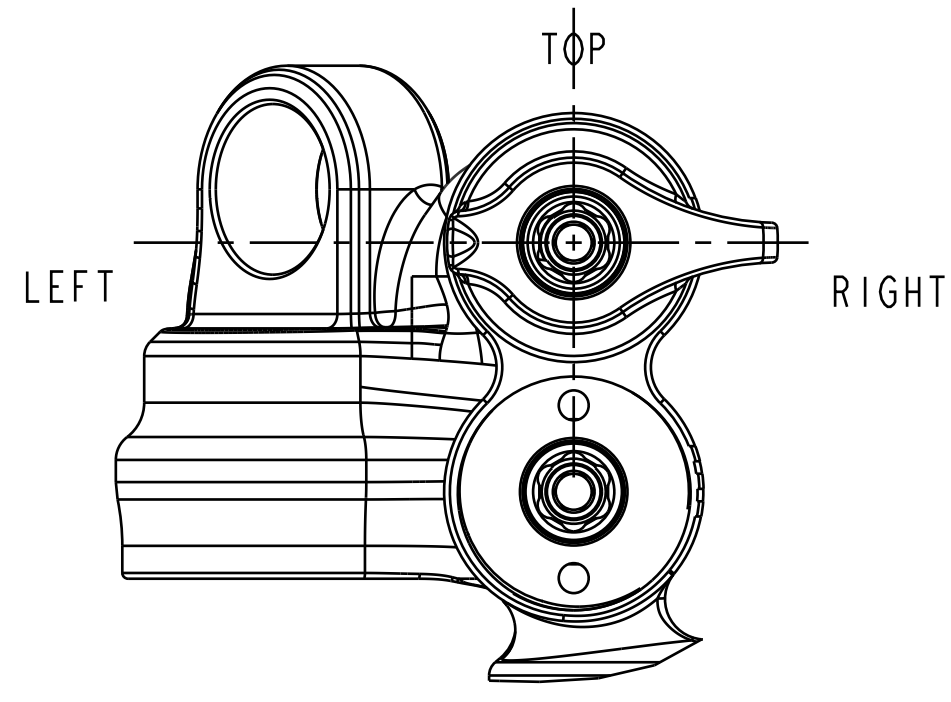


SECTION B-B
SCALE 1.500



SECTION C-C
SCALE 1.500



SCALE 1.500

IMPORTANT:
DO NOT INSTALL O-RING
IN STRAIN RELIEF.

018-01-026
Screw [#6-32 X .250 TLG]

TORQUE:
14±2 IN.LB.

029-03-006
O-Ring (-006) [.070 C.S. X .114 ID]

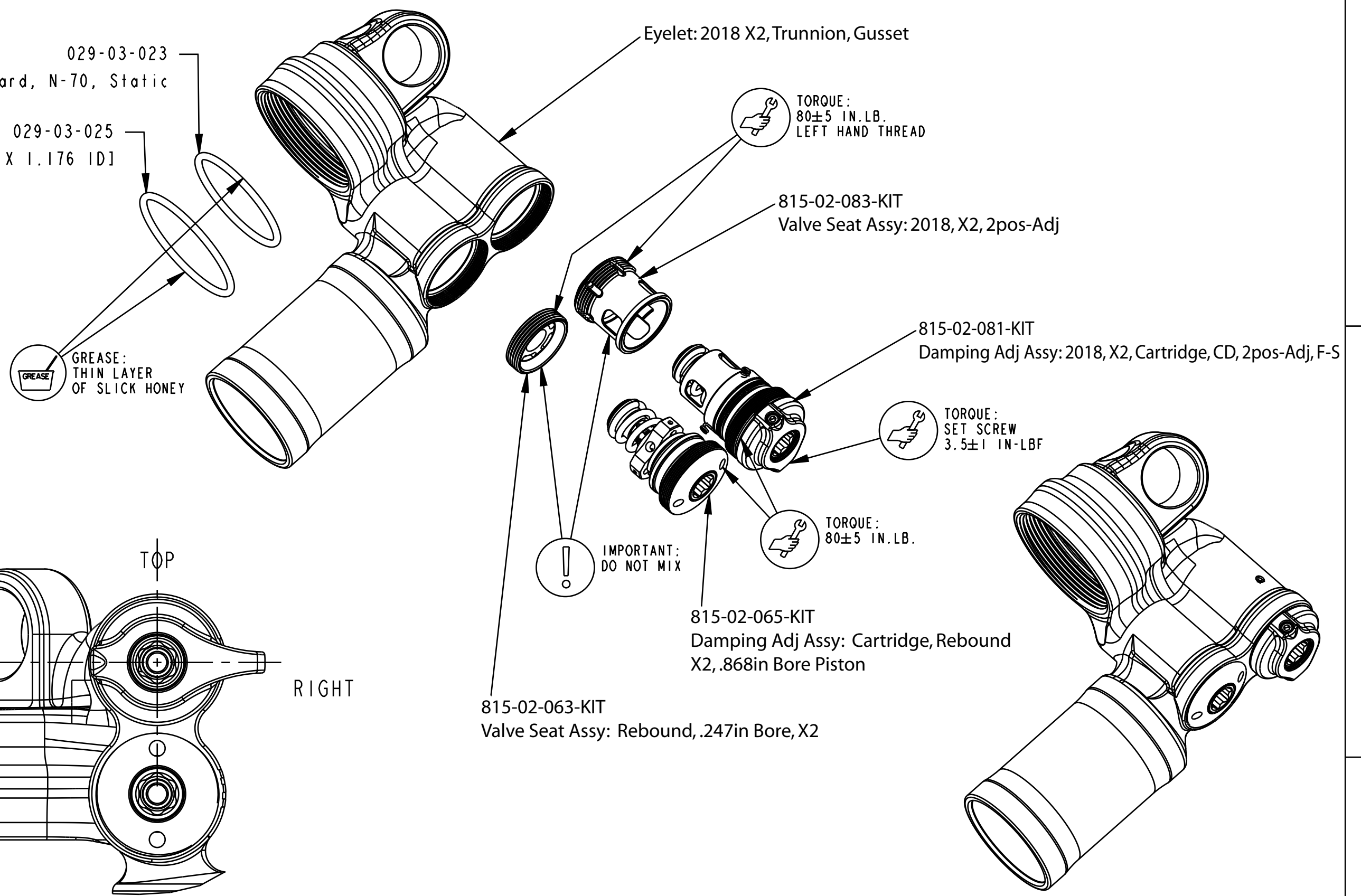
GREASE:
THIN LAYER
OF SLICK HONEY

Seals: O-Ring [(-023) .070 C.S. X 1.051 ID] Standard, N-70, Static

029-03-023

029-03-025
O-Ring (-025) [.070 C.S. X 1.176 ID]

GREASE:
THIN LAYER
OF SLICK HONEY



Eyelet: 2018 X2, Trunnion, Gusset

TORQUE:
80±5 IN.LB.
LEFT HAND THREAD

815-02-083-KIT
Valve Seat Assy: 2018, X2, 2pos-Adj

815-02-081-KIT
Damping Adj Assy: 2018, X2, Cartridge, CD, 2pos-Adj, F-S

TORQUE:
SET SCREW
3.5±1 IN-LBF

TORQUE:
80±5 IN.LB.

IMPORTANT:
DO NOT MIX

815-02-065-KIT
Damping Adj Assy: Cartridge, Rebound
X2, .868in Bore Piston

815-02-063-KIT
Valve Seat Assy: Rebound, .247in Bore, X2

PROPRIETARY -
THIS DOCUMENT CONTAINS CONFIDENTIAL, PROPRIETARY INFORMATION
THAT IS FOX PROPERTY. DO NOT DISCLOSE TO OR DUPLICATE
FOR OTHERS EXCEPT AS AUTHORIZED BY FOX.

FOX		FOX Factory, Inc.	Ph 831-768-1100
		130 Hangar Way, Watsonville, CA 95076 USA	Fax 831-768-9312
TITLE	Eyelet Assy: 2018, X2, Trunnion, 2pos-Adj, F-S		
SIZE	DWG. NO.	808-17-362-KIT	
C		PLOT SCALE .00:1	SHEET 1 OF 2