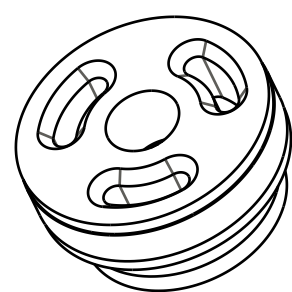


4

3

2

1



002-02-077  
Bearing: External, Turcon [.136W x .8690D x .031THK]

029-08-040  
Seals: O-Ring [17.0MM ID x 1.0MM CS] Metric, N-70, Static

222-01-317  
Piston: Damping, .868in Bore, .250in Post, X2

044-04-070  
Valve: [.700 OD X .252 ID X .0045 TH]

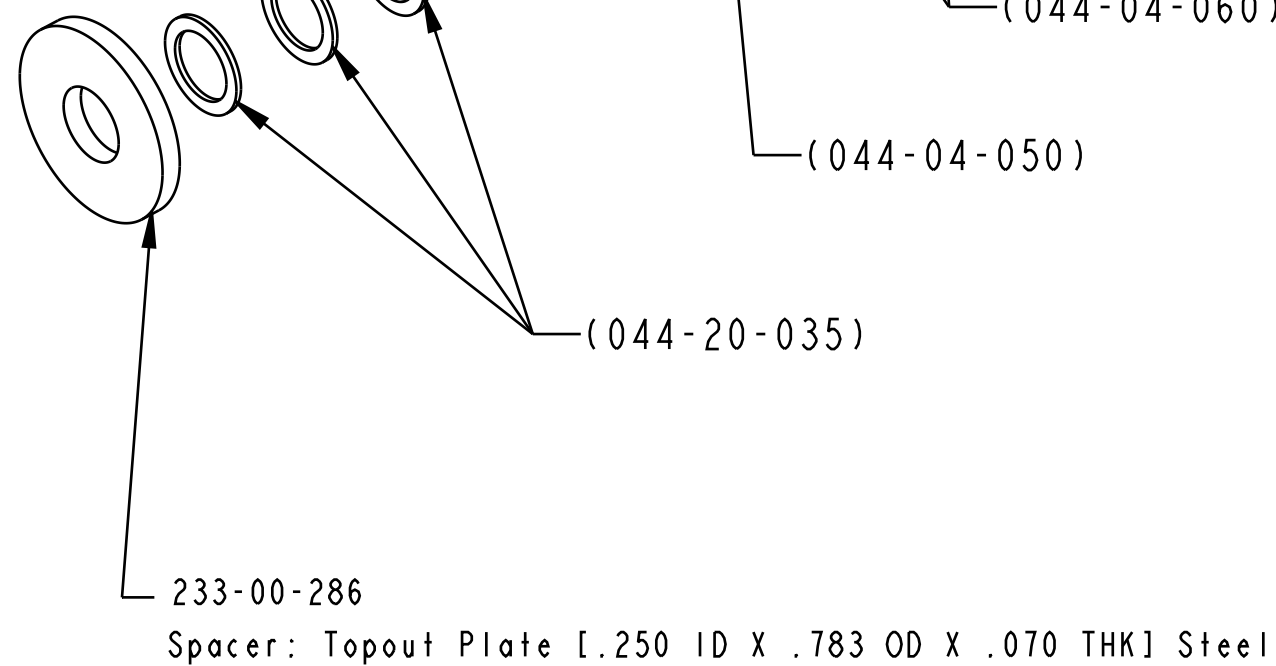
043-15-073  
Valve: Ring Shim [.700 OD X 0.610 ID X .008 TH]

044-06-060  
Valve: [.600 X .252 X .006]

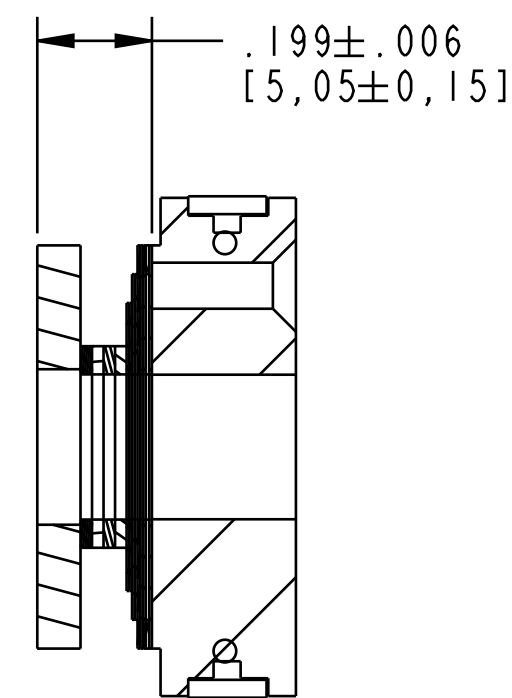
044-04-050  
Valve: [.500 OD X .252 ID X .0045 TH]

044-20-035  
Valve: [.350 OD X .252 ID X .020 TH]

! IMPORTANT:  
Piston Orientation



233-00-286  
Spacer: Topout Plate [.250 ID X .783 OD X .070 THK] Steel



SECTION A-A  
SCALE 3:1

- PROPRIETARY -  
THIS DOCUMENT CONTAINS CONFIDENTIAL, PROPRIETARY INFORMATION  
THAT IS FOX PROPERTY. DO NOT DISCLOSE TO OR DUPLICATE  
FOR OTHERS EXCEPT AS AUTHORIZED BY FOX.

		<b>FOX Factory, Inc.</b> 130 Hangar Way, Watsonville, CA 95076 USA Ph 831-768-1100 Fax 831-768-9312
TITLE Piston Assembly: X2, .868in Bore, CL		
SIZE <b>C</b>	DWG. NO. <b>805-00-109-KIT</b>	
PLOT SCALE   .60:1	SHEET 1 OF 1	

4

3

2

1