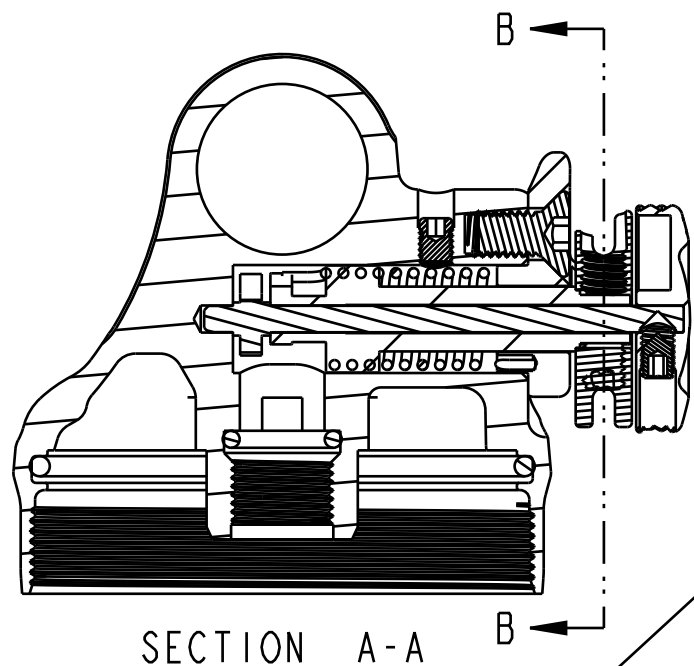


4

3

2

1



SECTION A-A

EYELET

241-02-109  
Fastener, Custom: Set Screw, Flanged, M3, 2017 Lockout

039-00-393  
Spring: Torsion, 2018 Dish/DPS Remote, [.0035 in-lb/deg], Unplated

210-24-151  
Cam: (T) RD Adj, 2017 Float DPS, Remote, LV Down [1.540 TLG, .090 Shaft]

210-24-057  
Cable Hanger, 2017 FLOAT DPS, LV Down

019-01-130  
Fastener, Standard (Metric): Thin Head SHCS [M4 x .7, x 8mm] Black Zinc

TORQUE:  
5±1 IN.LB.

GREASE:  
THIN LAYER  
HIGH TEMP BLUE

NOTE PART IDENTIFICATION GROOVES  
FOR LV DOWN CONFIGURATIONS.

GREASE:  
THIN LAYER  
HIGH TEMP BLUE

GREASE:  
THIN LAYER  
HIGH TEMP BLUE

TORQUE:  
35±5 IN.LB.

210-30-118  
Cam: (T) CD Adj, 2018 Float DPS, Remote, 2 Pos, Push-Unlock, LV Down, 0.4 pull opt

010-00-057  
Air Valve Parts: Cap, Air Valve [.305-.32], Black, 6061

803-01-178  
Air Valve Part: Housing, Tank Valve, DHX2, FloatX2, 2017 DPS

029-00-009  
Seals: O-Ring [(-009) .070 C.S. X .208 ID] Standard N674-70, Dynamic

029-08-079  
Seals: O-Ring [7.5MM ID x 1.5MM CS] Metric, N-70, Static

029-00-032  
Seals: O-Ring [(-032) .070 C.S. X 1.864 ID] Standard N674-70, Dynamic

TORQUE:  
25±5 IN.LB.

TORQUE:  
8±2 IN.LB.

019-01-134  
Set Screw [M4 x .7mm x 4mm] Flat Point, Torx, Black,

210-24-054  
Pulley: 2016 Nude 3 DPS-Remote

019-01-070  
Set Screw [M4 x .7mm x 4mm], SS

TORQUE:  
START THREAD 2 TURNS

210-24-055  
Rebound Knob: 2014 Scott Evolution

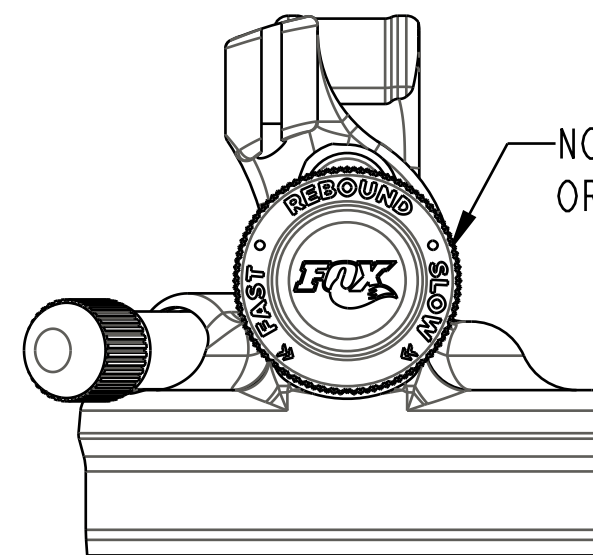
TORQUE:  
5±1 IN.LB.

019-01-006  
Fastener, Standard (Metric): Screw [M3 x 4mm] SS Socket Set Cone Point

NOTE KNOB  
ORIENTATION

BLACK TORX SET SCREW FIXES PULLEY TO CAM

STAINLESS HEX SET SCREW FIXES CABLE TO PULLEY



PROPRIETARY -  
THIS DOCUMENT CONTAINS CONFIDENTIAL, PROPRIETARY INFORMATION  
THAT IS FOX PROPERTY. DO NOT DISCLOSE TO OR DUPLICATE  
FOR OTHERS EXCEPT AS AUTHORIZED BY FOX.

EYELET ASSEMBLY,  
FLOAT DPS REMOTE DOWN, TRUNNION LV

**FOX** FOX Factory, Inc. Ph 831-768-1100  
130 Hangar Way, Watsonville, CA 95076 USA Fax 831-768-9312

TITLE  
Eyelet Assy: 2018 FLOAT DPS Remote  
down, Trunnion LV (Push-to-Unlock)

SIZE DWG. NO. 808-17-339-KIT

PLOT SCALE | .50:1 | SHEET 1 OF 2

4

3

2

ProE ASSEM