

EYELET

241-02-109  
Fastener, Custom: Set Screw, Flanged, M3, 2017 Lockout

039-00-393  
Spring: Torsion, 2018 Dish/DPS Remote, [.0035 in-lb/deg], Unplated

210-24-150  
Cam: (T) RD Adj, 2017 Float DPS, Remote, SV All and LV Up [1.435 TLG, .090 Shaft]

210-24-053  
Cable Hanger, 2017 FLOAT DPS, SV & LV Up

019-01-129  
Fastener, Standard (Metric): FHCS [M4 x .7, x 8mm] Black Zinc

TORQUE:  
5±1 IN.LB.

GREASE:  
THIN LAYER  
HIGH TEMP BLUE

TORQUE:  
25±5 IN.LB.

TORQUE:  
8±2 IN.LB.

019-01-134  
Set Screw [M4 x .7mm x 4mm] Flat Point, Torx, Black,

210-24-054  
Pulley: 2016 Nude 3 DPS-Remote

019-01-070  
Set Screw [M4 x .7mm x 4mm], SS

TORQUE:  
START THREAD 2 TURNS

210-24-055  
Rebound Knob: 2014 Scott Evolution

TORQUE:  
5±1 IN.LB.

019-01-006  
Fastener, Standard (Metric): Screw [M3 x 4mm] SS Socket Set Cone Point

210-30-117  
Cam: (T) CD Adj, 2018 Float DPS, Remote, 2 Pos, Push-Unlock, SV All and LV Up, 0.4 pull opt

010-00-057  
Air Valve Parts: Cap, Air Valve [.305-.32], Black, 6061

803-01-178  
Air Valve Part: Housing, Tank Valve, DHX2, FloatX2, 2017 DPS

029-00-009  
Seals: O-Ring [(-009) .070 C.S. X .208 ID] Standard N674-70, Dynamic

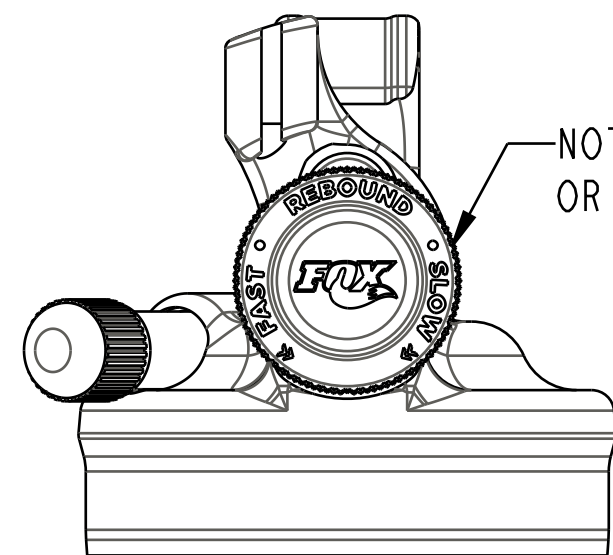
029-08-079  
Seals: O-Ring [7.5MM ID x 1.5MM CS] Metric, N-70, Static

029-00-030  
Seals: O-Ring [(-030) .070 C.S. X 1.614 ID] Standard N674-70, Dynamic

BLACK TORX SET SCREW FIXES PULLEY TO CAM

STAINLESS HEX SET SCREW FIXES CABLE TO PULLEY

NOTE KNOB  
ORIENTATION



EYELET ASSEMBLY,  
FLOAT DPS REMOTE UP, TRUNNION SV

PROPRIETARY -  
THIS DOCUMENT CONTAINS CONFIDENTIAL, PROPRIETARY INFORMATION  
THAT IS FOX PROPERTY. DO NOT DISCLOSE TO OR DUPLICATE  
FOR OTHERS EXCEPT AS AUTHORIZED BY FOX.

**FOX Factory, Inc.** Ph 831-768-1100  
130 Hangar Way, Watsonville, CA 95076 USA Fax 831-768-9312

TITLE  
**Eyelet Assy: 2018 FLOAT DPS Remote up, Trunnion SV (Push-to-Unlock)**

SIZE DWG. NO. **808-17-336-KIT**

PLOT SCALE | .50:1 | SHEET 1 OF 2