

4

3

2

1



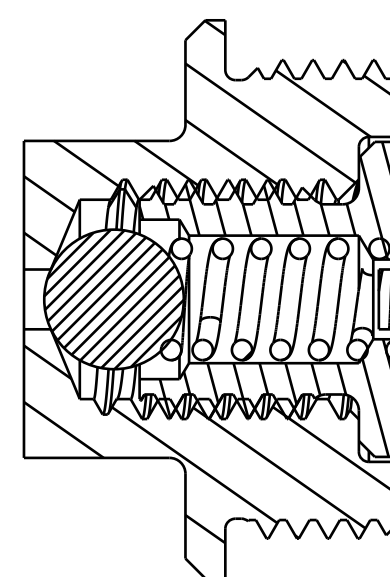
TORQUE:
20±2 IN.LB.

225-00-050
Spring Retainer, Pressure Relief Valve, Seat Post

039-00-254
Spring: Detent, 2013 CTD [.190 TLG, .088 ID, 40 lb/in] 17-7 SS

010-01-014
Ball [Ø 3.5mm] Steel

Cap, Spool Valve, Seat Post



SECTION A-A

- PROPRIETARY -
THIS DOCUMENT CONTAINS CONFIDENTIAL, PROPRIETARY INFORMATION
THAT IS FOX PROPERTY. DO NOT DISCLOSE TO OR DUPLICATE
FOR OTHERS EXCEPT AS AUTHORIZED BY FOX.

		FOX Factory, Inc.	Ph 831-768-1100 Fax 831-768-9312
130 Hangar Way, Watsonville, CA 95076 USA		TITLE Valve, Pressure, Relief, Seat Post	
SIZE C	DWG. NO. 825-00-034-KIT	PLOT SCALE 4.00:1	
		SHEET 1 OF 1	