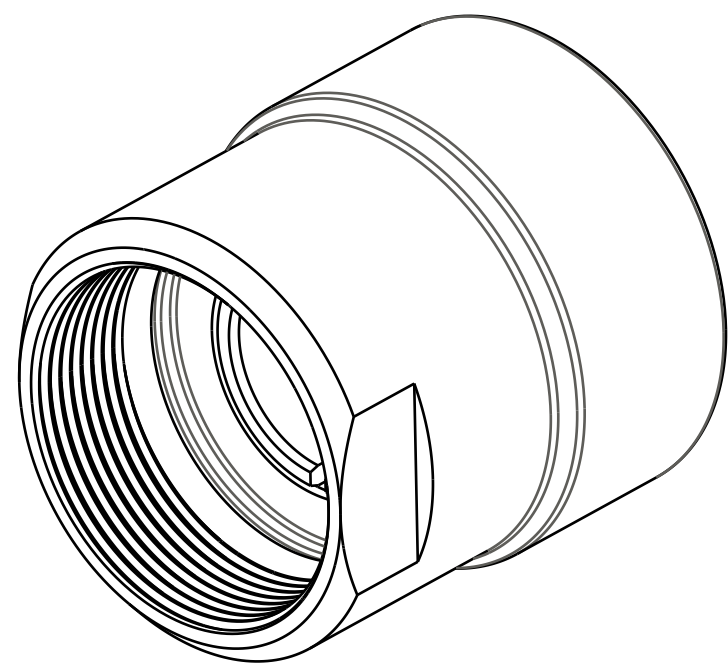


4

3

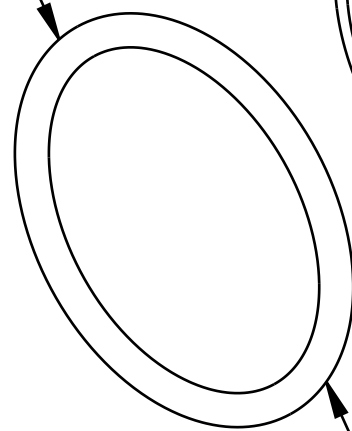
2

1



Bearing: Internal [0.394 ID X 0.197 TLG X 0.040 WTH, 10mm Shaft] Ekonol/AL

GREASE:
THIN LAYER
OF SLICK HONEY



029-08-059
Seals: O-Ring [16.5mm ID X 1.5mm CS] Metric, N-70, Static

210-22-579
Seal Cap, FIT4, Stepped

043-20-070
Valve: [0.740 OD X 0.565 ID X 0.020 TH]

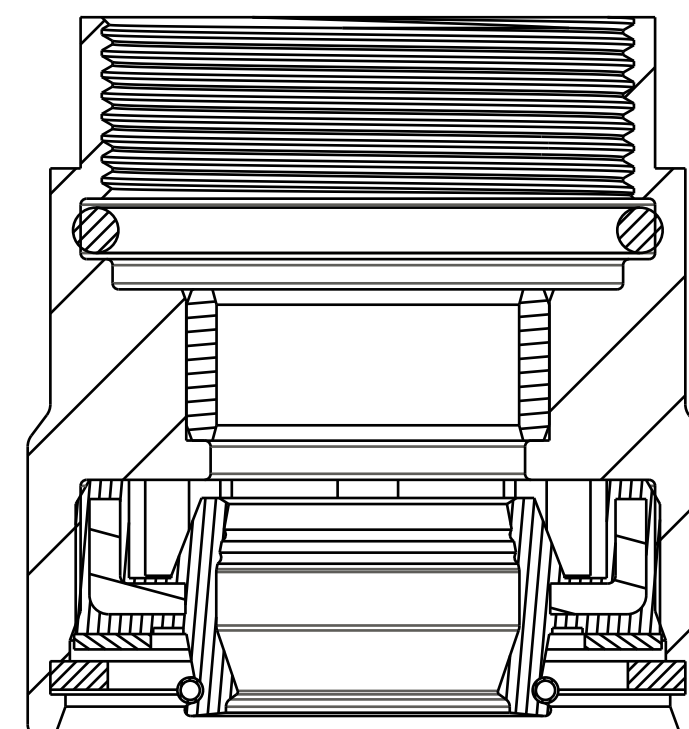
036-02-094
10mm FIT SKF Sealhead Seal

003-00-009

038-00-124
Retaining Ring: Smalley, FH-020-S02

IMPORTANT:
NOTE SEAL
ORIENTATION

IMPORTANT:
ENSURE RETAINING RING IS FULLY
SEATED INTO GROOVE FULL 360°



SECTION A-A
SCALE 4.000

FOX FOX Factory, Inc. Ph 831-768-1100
130 Hangar Way, Watsonville, CA 95076 USA Fax 831-768-9312

TITLE
**Sealhead Assy
2016 FIT4**

SIZE DWG. NO.
C 820-03-464-KIT

PLOT SCALE 3.00:1 SHEET 1 OF 1

PROPRIETARY
THIS DOCUMENT CONTAINS CONFIDENTIAL, PROPRIETARY INFORMATION
THAT IS FOX PROPERTY. DO NOT DISCLOSE TO OR DUPLICATE
FOR OTHERS EXCEPT AS AUTHORIZED BY FOX.

4

3

2

1