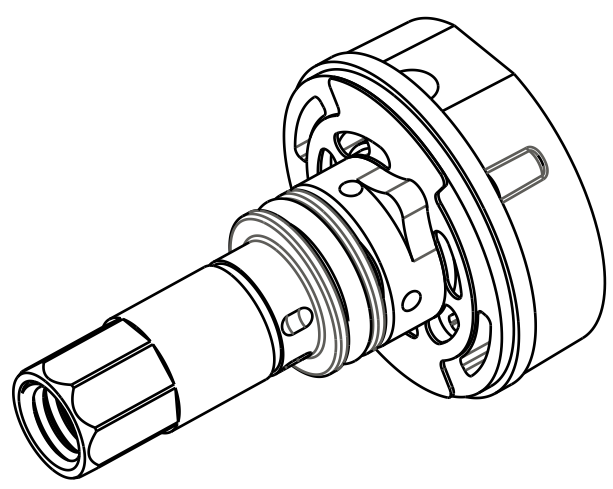


4

3

2

1



1 ENSURE SLOT ON BUTTERFLY VALVE (210-22-882) LINE UP WITH HOLES ON COMPRESSION PISTON (222-01-290)

1 210-24-004
Butterfly Valve, FIT4, Large Tabs

GREASE:
THIN LAYER
OF SLICK HONEY

222-01-290
Piston, Compression, FIT4, Dished, Zinc, Die Cast

210-22-879
Selector Shaft, FIT4 Damper

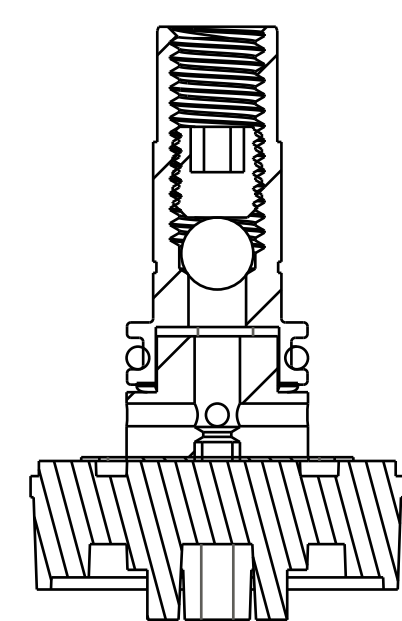
039-00-241
Spring: Wave [.322 ID x .420 OD, 3 Waves] SS

029-08-041
Seals: O-Ring [9.0MM ID x 1.5MM CS] Metric, N-70, Dynamic

210-22-916
SHAFT, COMPRESSION SELECTOR, 2016 P-S FIT4

010-01-001
Ball [Ø 0.1875] Steel

019-01-107
Socket Set Screw [M6 x 1.0mm x 6mm] Flat Pt, SST



- PROPRIETARY -
THIS DOCUMENT CONTAINS CONFIDENTIAL, PROPRIETARY INFORMATION
THAT IS FOX PROPERTY. DO NOT DISCLOSE TO OR DUPLICATE
FOR OTHERS EXCEPT AS AUTHORIZED BY FOX.

	FOX Factory, Inc. 130 Hangar Way, Watsonville, CA 95076 USA Ph 831-768-1100 Fax 831-768-9312
	2016 FIT4 P-S TOP CAP PARTS
SIZE DWG. NO. C 820-03-463-KIT	SHEET 1 OF 1
PLOT SCALE 2.00:1	ProE ASSEM

4

3

2

1

ProE ASSEM