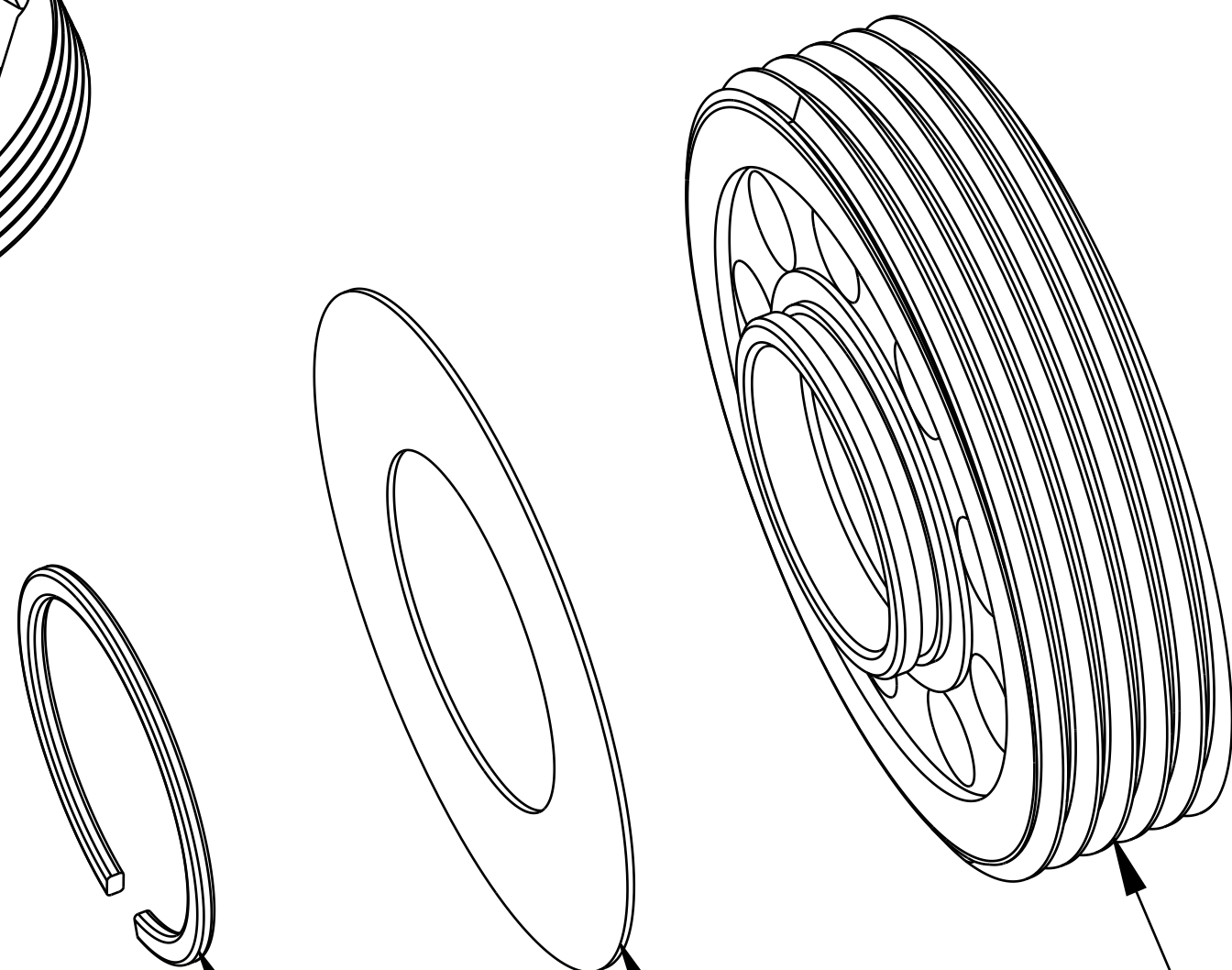
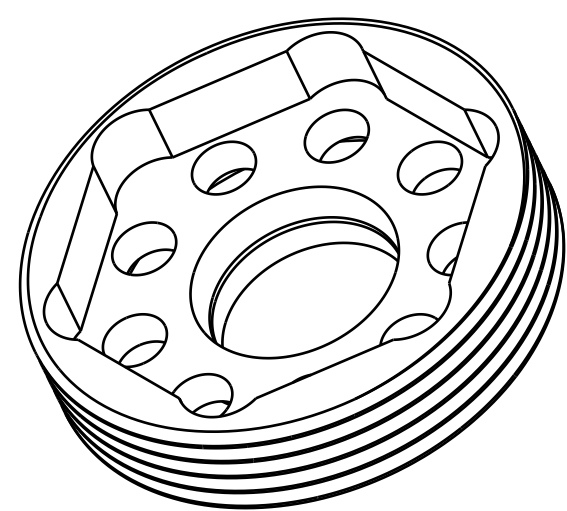


4

3

2

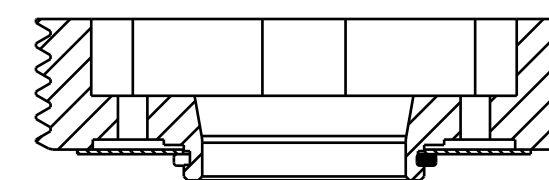
1



210-22-910
Housing: Base Valve, DHX2, FloatX2

045-00-150
Valve: Metric [15mm OD X 8mm ID X .15mm]

038-00-127
Retaining Ring: Smalley VS3IS16



SECTION A-A

FOX FOX Factory, Inc. Ph 831-768-1100
130 Hangar Way, Watsonville, CA 95076 USA Fax 831-768-9312

TITLE
**Valve Seat Assy:
DHX2, Float X2**

SIZE DWG. NO. **815-02-046-KIT**

PLOT SCALE 4.00:1

SHEET 1 OF 1

- PROPRIETARY -
THIS DOCUMENT CONTAINS CONFIDENTIAL, PROPRIETARY INFORMATION
THAT IS FOX PROPERTY. DO NOT DISCLOSE TO OR DUPLICATE
FOR OTHERS EXCEPT AS AUTHORIZED BY FOX.

4

3

2

ProE ASSEM