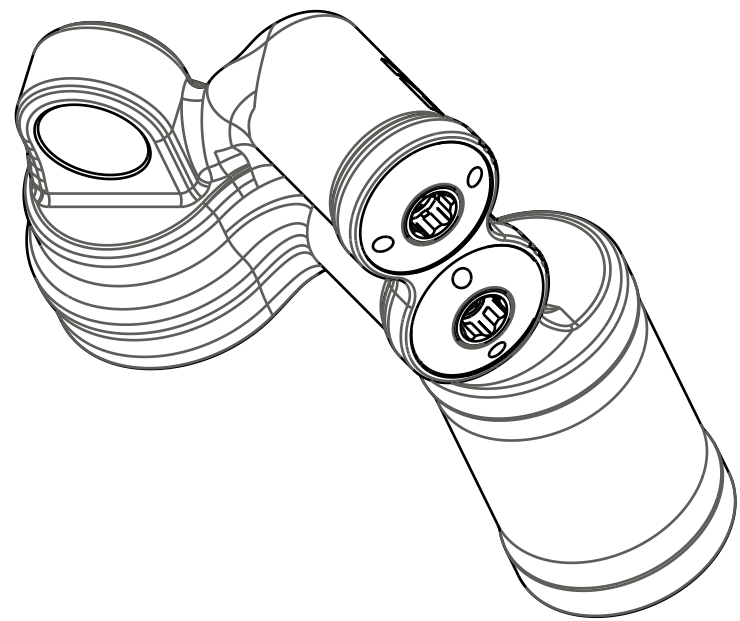


4

3

2

1



018-01-026  
Screw [#6-32 X .250 TLG]

029-03-006  
O-Ring (-006) [1.070 C.S. X .114 ID]

GREASE:  
THIN LAYER  
OF SLICK HONEY

Eyelet: DHX2, FloatX2, 6061-T6, Black Ano III

Seals: O-Ring [(-023) .070 C.S. X 1.051 ID] Standard, N-70, Static

029-03-023

029-03-025  
O-Ring (-025) [1.070 C.S. X 1.176 ID]

815-02-046-KIT  
Valve Seat Assy: DHX2, Float X2

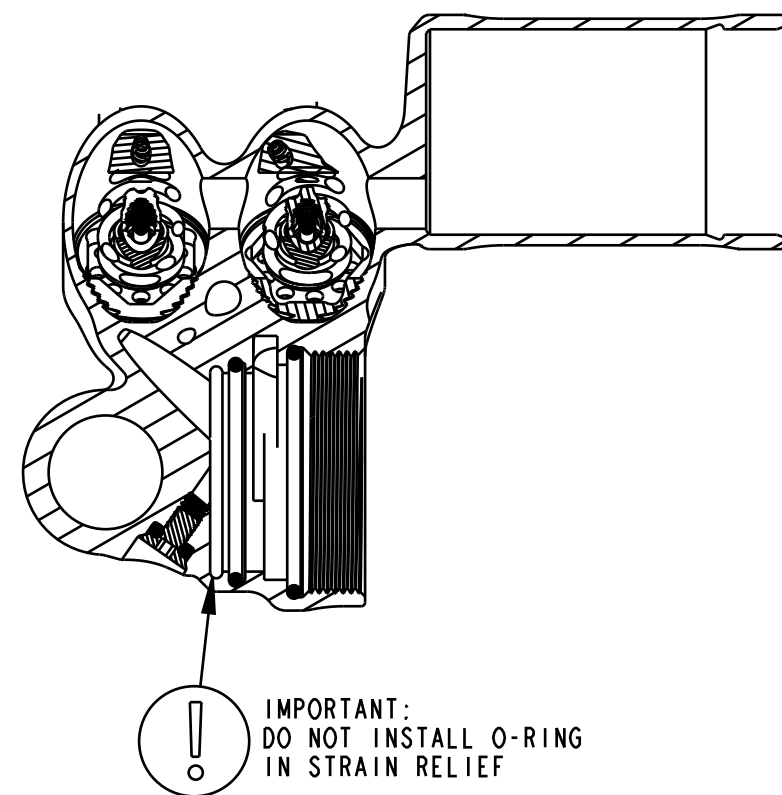
815-02-043-KIT  
Damping Adj Assy: 2016 DHX2, FloatX2 Cartridge, RD

815-02-042-KIT  
Damping Adj Assy: 2016 DHX2, FloatX2 Cartridge, CD

GREASE:  
THIN LAYER  
OF SLICK HONEY

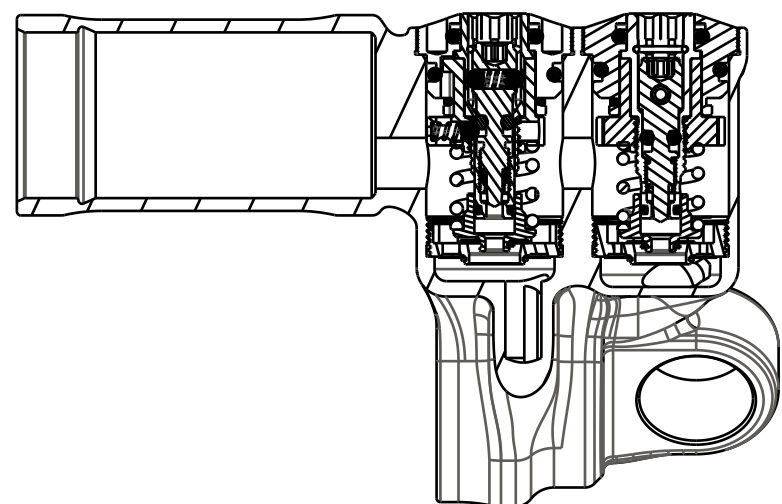
TORQUE:  
80 IN.LB.  
LEFT HAND THREAD

TORQUE:  
80±5 IN.LB.



IMPORTANT:  
DO NOT INSTALL O-RING  
IN STRAIN RELIEF

SECTION B-B



SECTION C-C

- PROPRIETARY -  
THIS DOCUMENT CONTAINS CONFIDENTIAL, PROPRIETARY INFORMATION  
THAT IS FOX PROPERTY. DO NOT DISCLOSE TO OR DUPLICATE  
FOR OTHERS EXCEPT AS AUTHORIZED BY FOX.

**FOX** Factory, Inc. Ph 831-768-1100  
130 Hangar Way, Watsonville, CA 95076 USA Fax 831-768-9312

TITLE  
**Eyelet Assy:  
F-S 2016 DHX2**

SIZE DWG. NO.  
**C 808-17-183-KIT**

PLOT SCALE | .00:1 | SHEET 1 OF 1

4

3

2