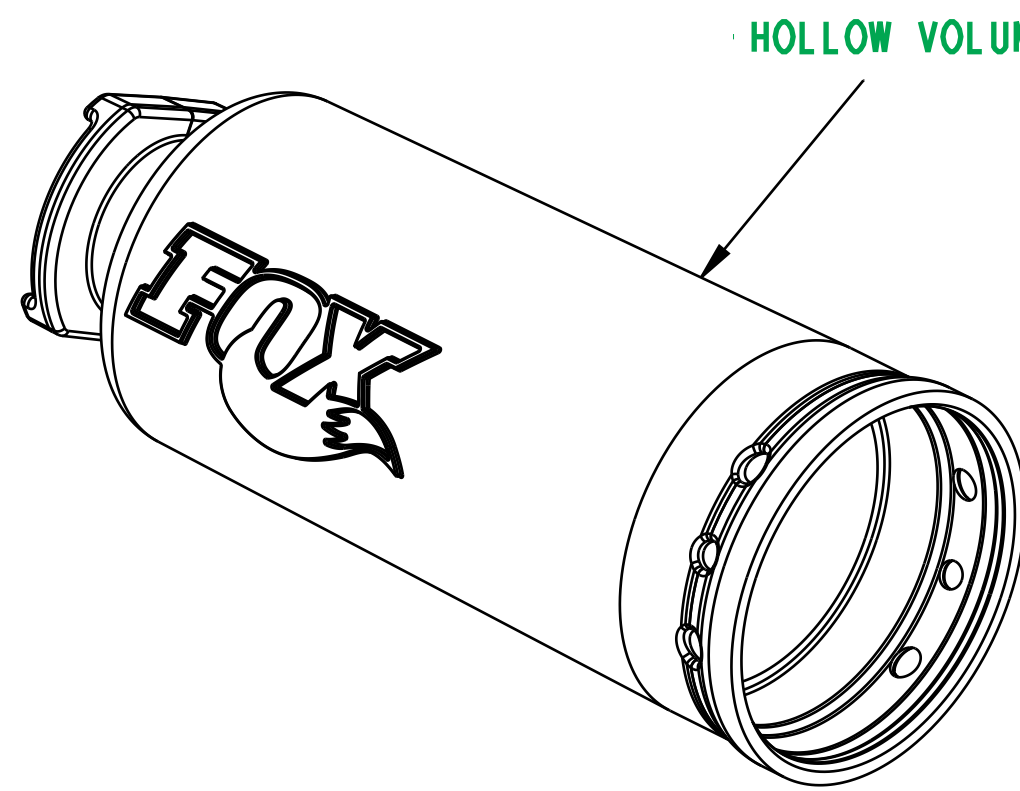


4

3

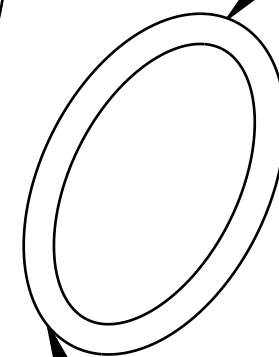
2

1

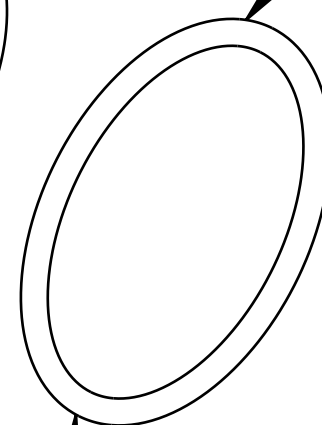


HOLLOW VOLUME SPACER

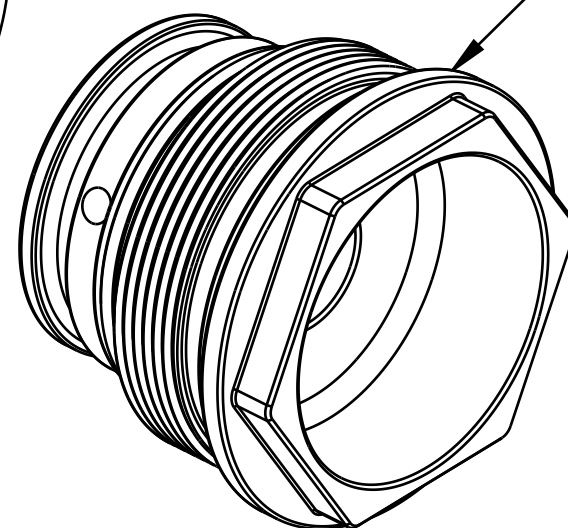
029-08-075
SPACER O-RING



029-03-022-A
TOPCAP O-RING



TOPCAP



GREASE:
THIN LAYER
OF SLICK HONEY

TORQUE:
40±5 IN.LB.

GREASE:
THIN LAYER
OF SLICK HONEY

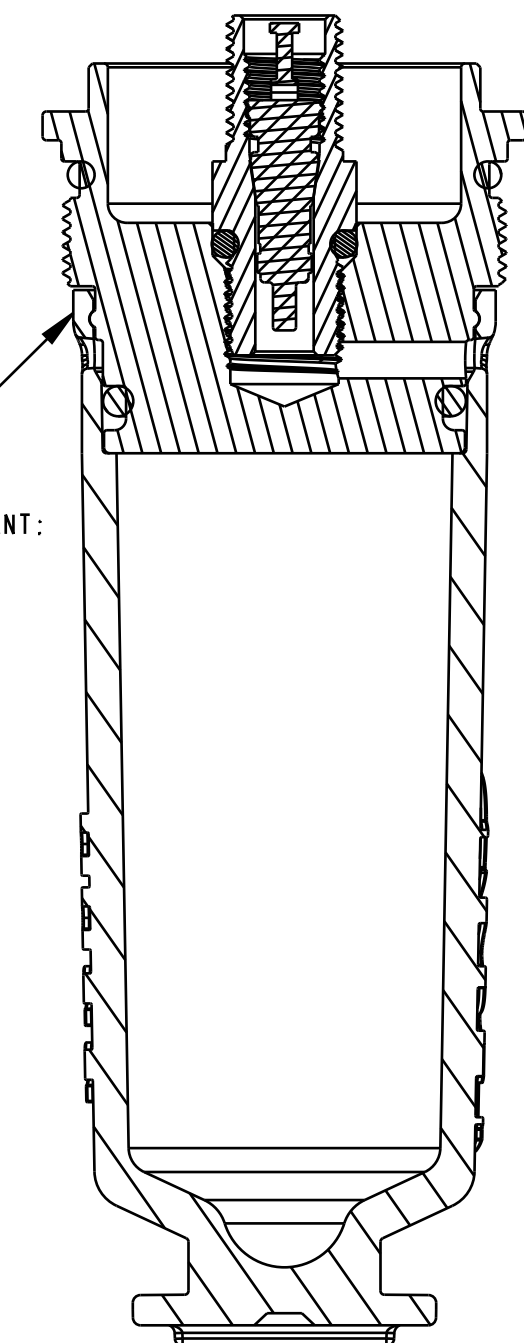
IMPORTANT:
SNAP!

029-03-010

O-Ring (-010) [.070 C.S. X .239 ID]

802-00-001-KIT

Air Valve Parts: Tank Valve [5/16-32] w/O-ring Boss



SECTION A-A

FOX FOX Factory, Inc. Ph 831-768-1100
130 Hangar Way, Watsonville, CA 95076 USA Fax 831-768-9312

TITLE
**Topcap, 32mm FLOAT NA 2,
Hollow Volume Spacer**

SIZE DWG. NO.

C

PLOT SCALE 2.00:1

SHEET 1 OF 1

- PROPRIETARY -
THIS DOCUMENT CONTAINS CONFIDENTIAL, PROPRIETARY INFORMATION
THAT IS FOX PROPERTY. DO NOT DISCLOSE TO OR DUPLICATE
FOR OTHERS EXCEPT AS AUTHORIZED BY FOX.

4

3

2

1

ProE ASSEM