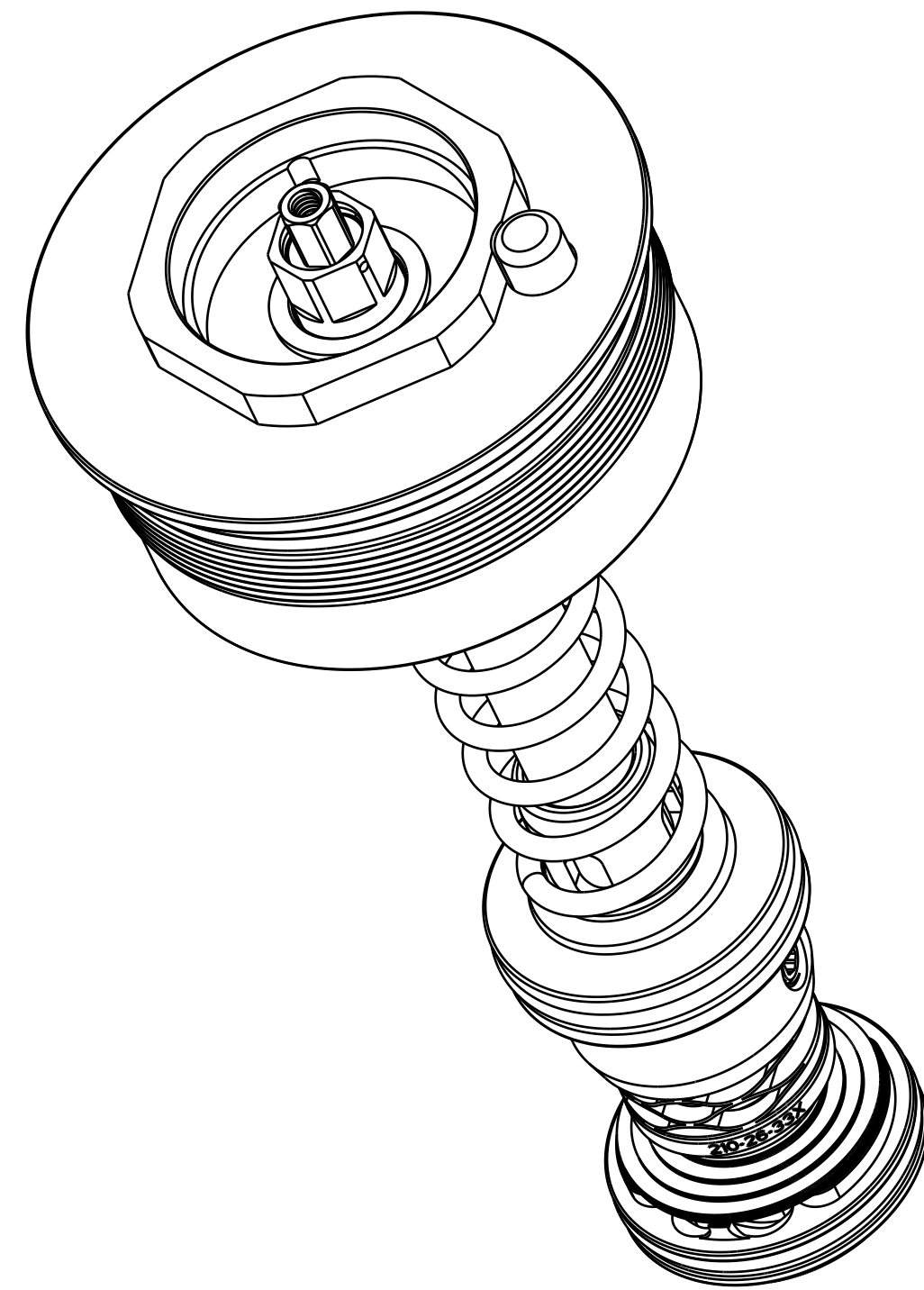
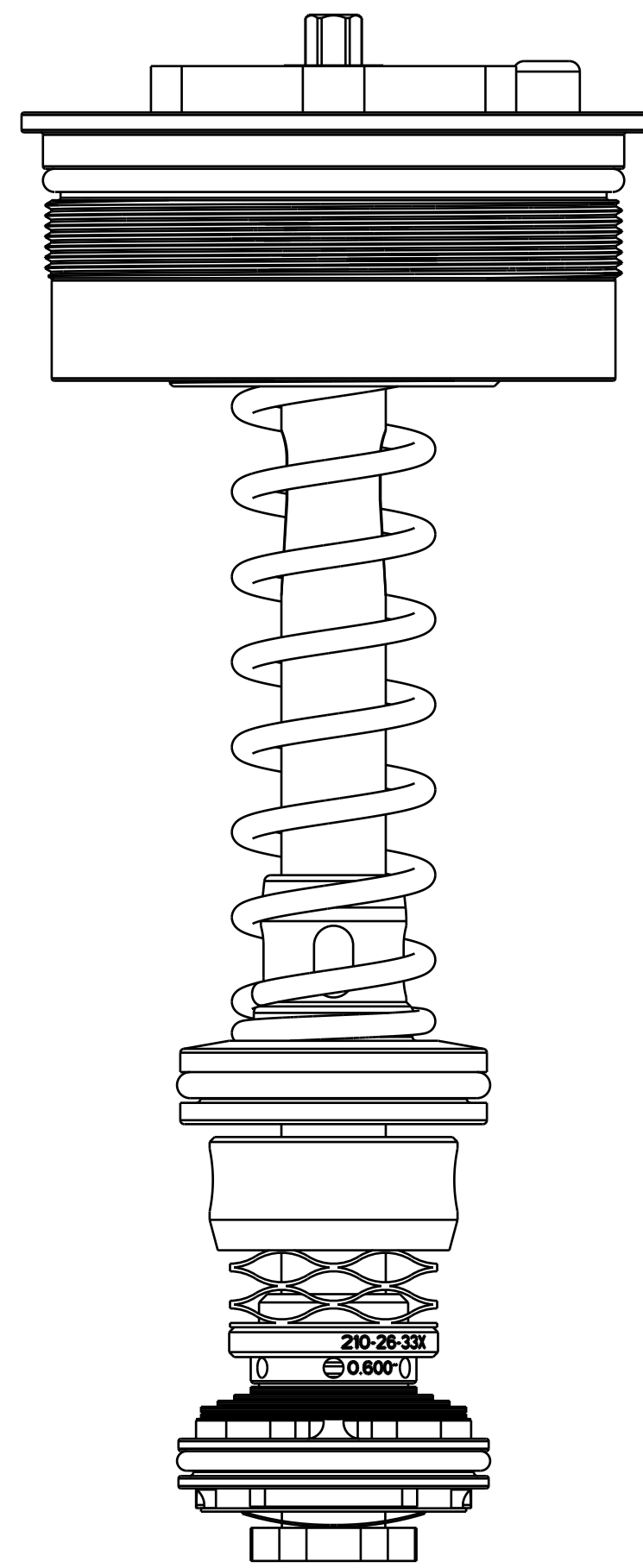
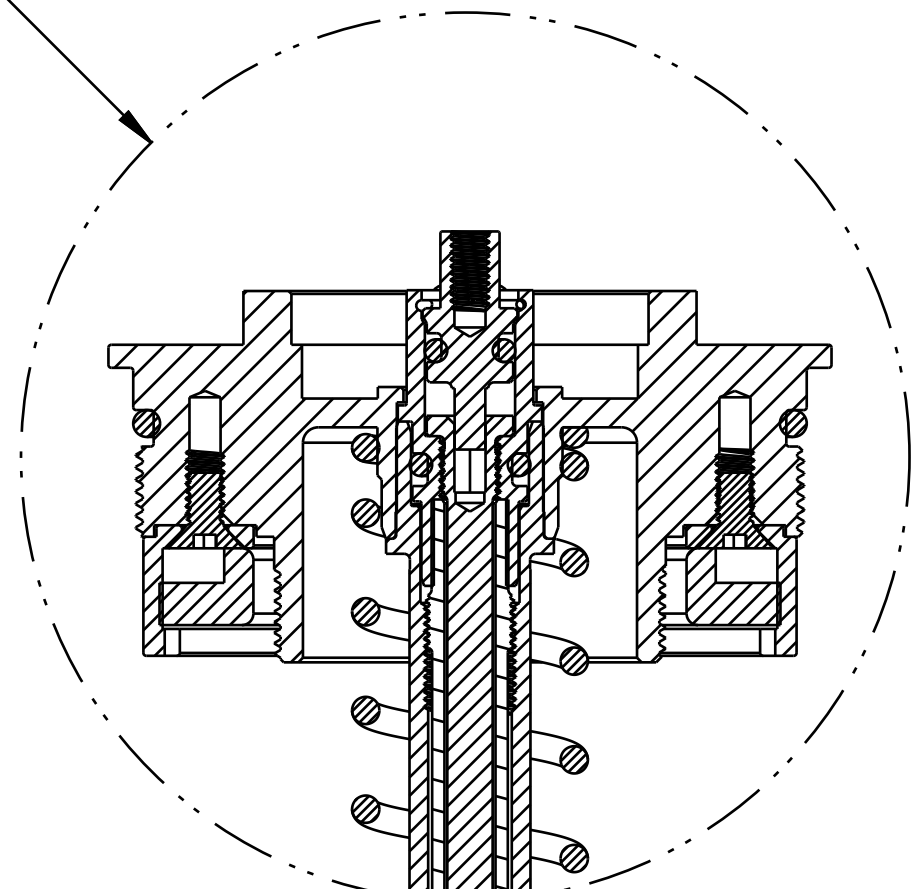


8 7 6 5 4 3 2 1

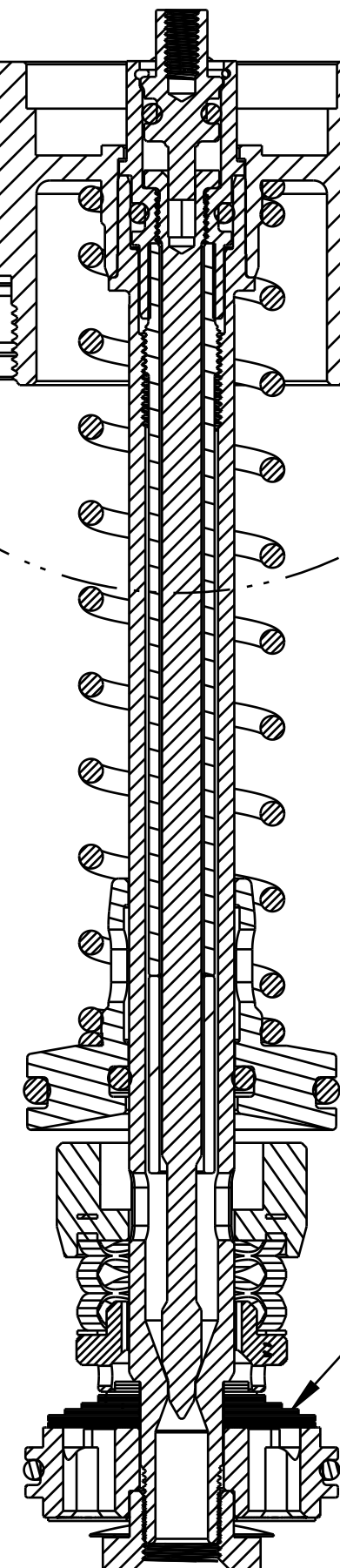
— PROPRIETARY —
 THIS DOCUMENT CONTAINS CONFIDENTIAL, PROPRIETARY
 INFORMATION THAT IS FOX PROPERTY. DO NOT DISCLOSE TO
 OR DUPLICATE FOR OTHERS EXCEPT AS AUTHORIZED BY FOX.



SEE DETAIL X

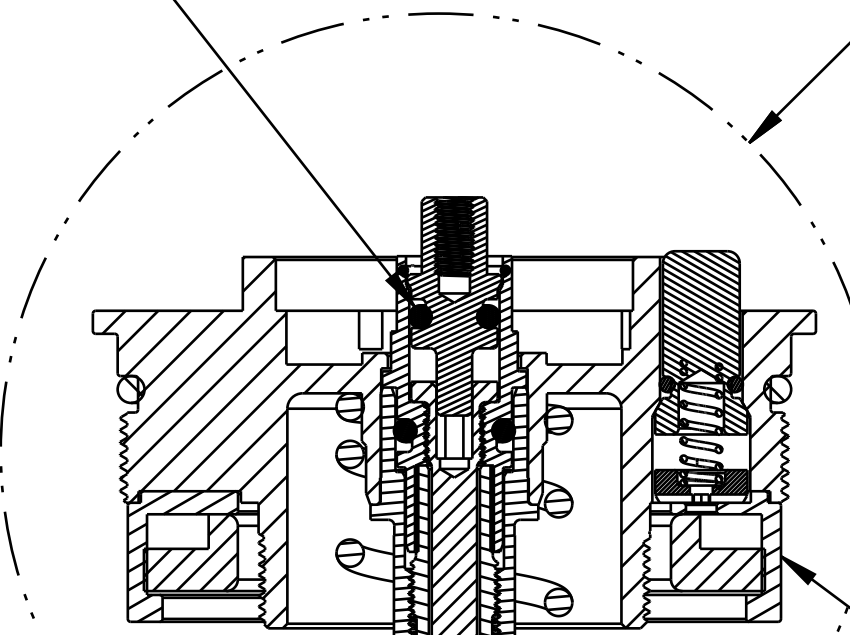


820-03-802-KIT
 Valve Stack Assy: 2026 Grip X2, Comp BV, BVCS50



GREASE:
 THIN LAYER
 OF SLICK HONEY

SEE DETAIL Y



820-05-822-KIT
 Topcap Bleeder Assy: 2026 Podium Grip X2

Compression Damper Shaft

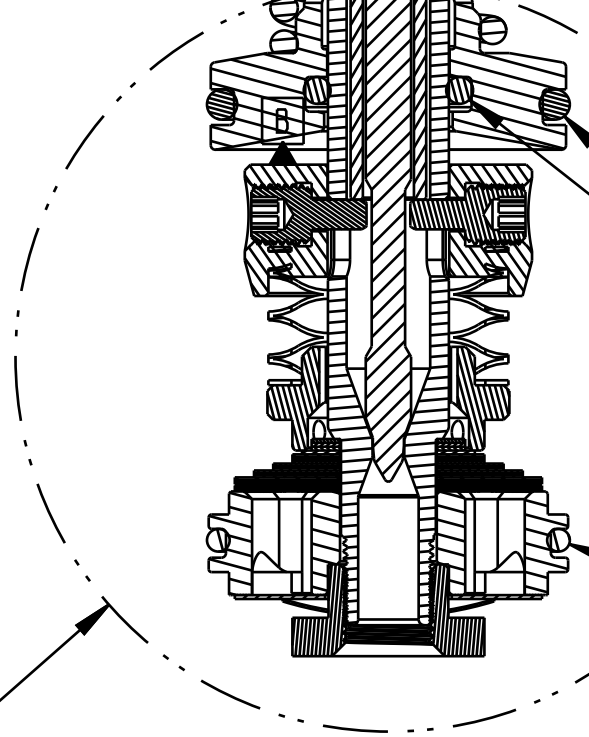
HSC Shaft

IFP Spring

GREASE:
 THIN LAYER
 OF SLICK HONEY

GREASE:
 THIN LAYER
 OF SLICK HONEY

SEE DETAIL Z



FOX FOX Factory, Inc.
 2055 Sugarloaf Circle, Suite 300
 Duluth, Ga 30097 USA Phone 800-369-7469

TITLE
 Topcap Assy, 2026 Podium Grip X2

SIZE D	DWG. NO. 820-05-820-KIT	REV A
-----------	----------------------------	----------

PLOT SCALE: 2:1 SHEET: 1 OF 3