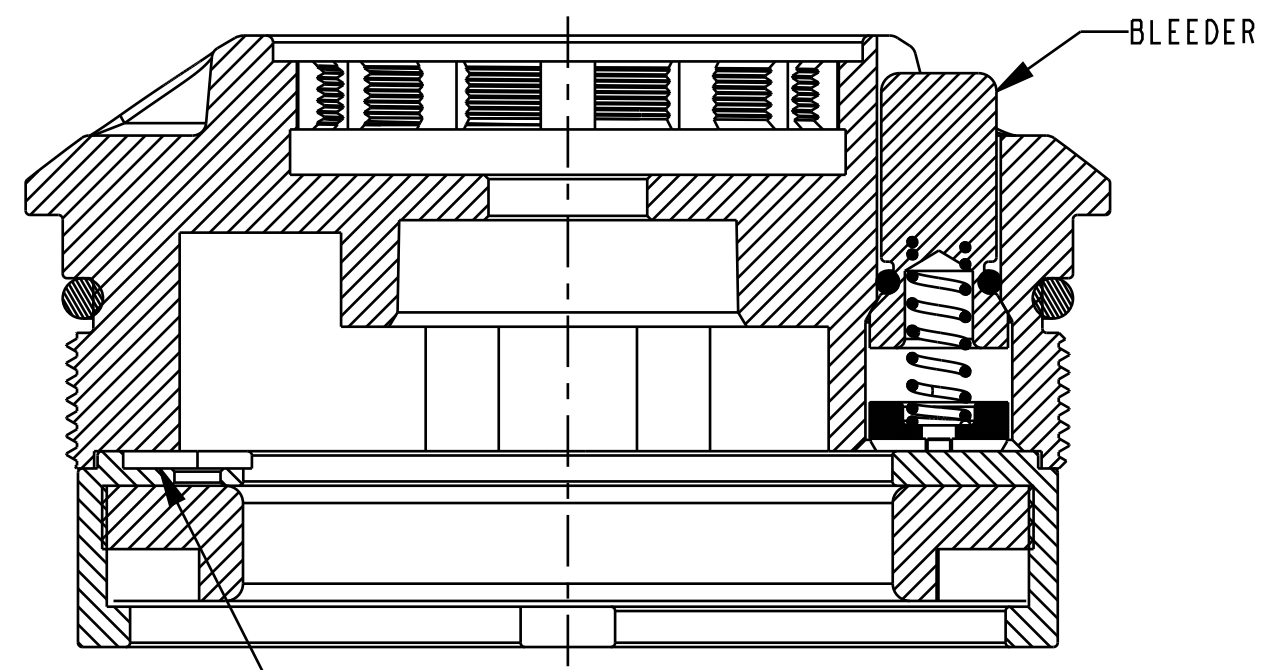


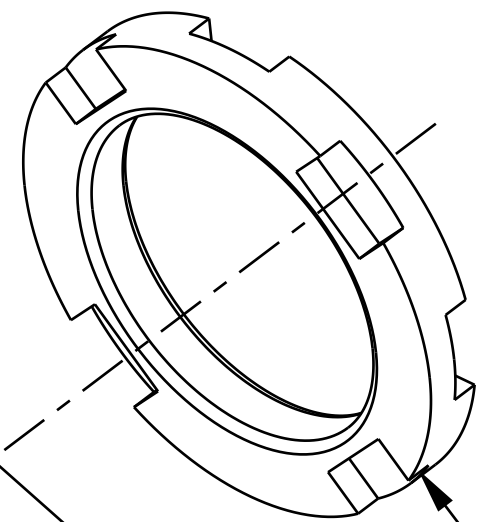
— PROPRIETARY —  
 THIS DOCUMENT CONTAINS CONFIDENTIAL, PROPRIETARY INFORMATION THAT IS FOX PROPERTY. DO NOT DISCLOSE TO OR DUPLICATE FOR OTHERS EXCEPT AS AUTHORIZED BY FOX.



IMPORTANT: CUT-OUT IS ASSEMBLED OPPOSITE TO BLEEDER

Fastener: Standard (Metric): Screw [M2.5 x .45 x 5mm] Flat Head Screw, SS

LOCTITE: 1-2 DROPS 243 BLUE



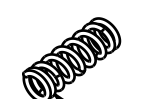
TORQUE: 2.5 ± .5 IN-LB

Fastener: Standard (Metric): Screw [M2.5 x .45 x 5mm] Flat Head Screw, SS

GREASE: THIN LAYER OF SLICK HONEY

Fastener, Custom: Carrier, B/O Bumper, Air Side, PODIUM

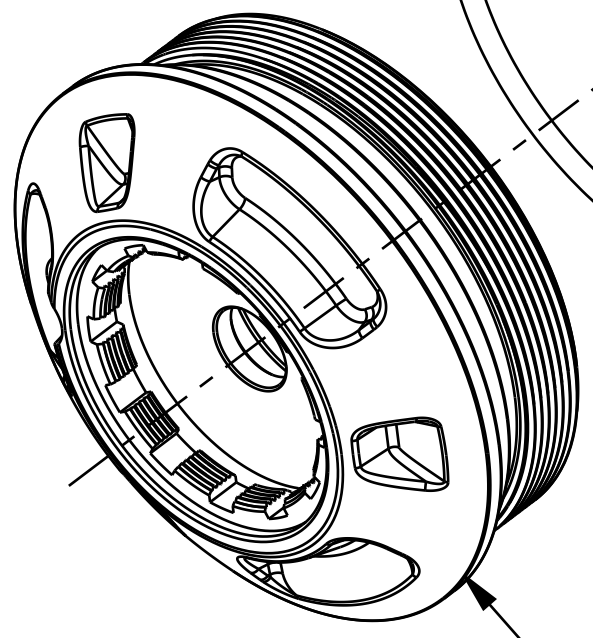
Pressure Release Cap, PODIUM



Pressure Release Button, PODIUM

Seals: O-Ring [3.5MM ID x 1.0MM CS] Metric, N-70, Static

Seals: O-Ring [(-030) .070 C.S. X 1.614 ID] Standard, N-70, Static



		<b>FOX Factory, Inc.</b> 2055 Sugarloaf Circle, Suite 300 Duluth, Ga 30097 USA Phone 800-369-7469	
TITLE: Topcap Assy, 2026 Podium Float NA3 Glidecore			
SIZE: C	DWG. NO.: 820-05-817-KIT	REV: A	
PLOT SCALE: 1.75:1		SHEET: 1 OF 1	