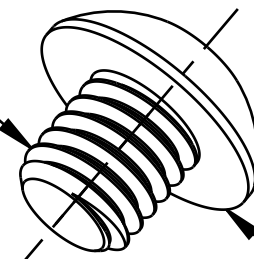


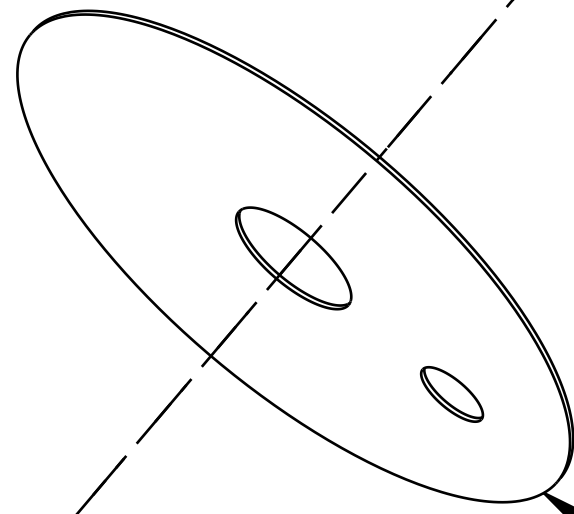
SECTION A-A
SCALE 8:1



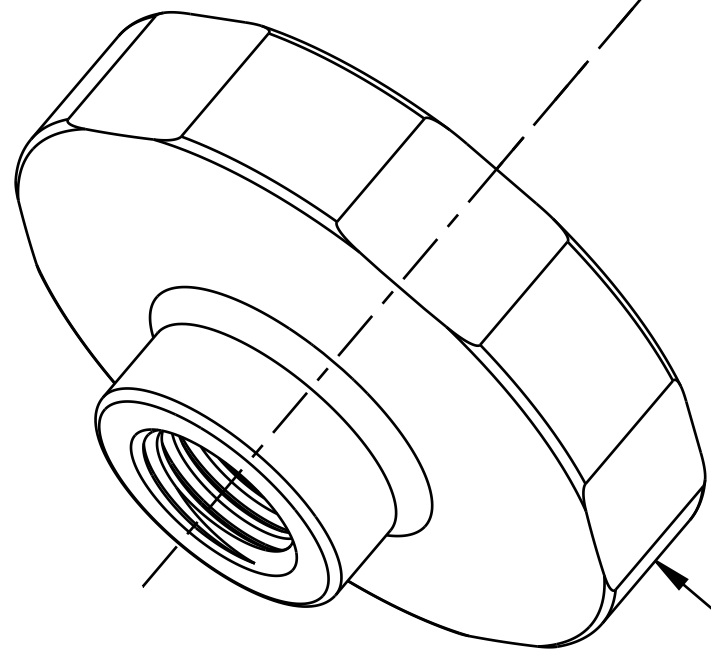
TORQUE:
10±2 IN-LB



Fastener, Custom (Metric): Screw [M3 x .5mm x 3mm] SS, Button Head Cap Screw



Valve, Custom, Grip X2 LSR Check, 1.7mm Bleed [.600 OD X .125 ID X .0045 THK]



Housing, Check, LSR, GripX2

FOX FOX Factory, Inc. Ph 831-768-1100
130 Hangar Way, Watsonville, CA 95076 USA Fax 831-768-9312

TITLE
2026 Grip X2, Rebound Check Valve
Assy, 1.7mm Bleed

SIZE DWG. NO. 820-03-808-KIT

PLOT SCALE 6:1 SHEET 1 OF 1

- PROPRIETARY -
THIS DOCUMENT CONTAINS CONFIDENTIAL, PROPRIETARY INFORMATION
THAT IS FOX PROPERTY. DO NOT DISCLOSE TO OR DUPLICATE
FOR OTHERS EXCEPT AS AUTHORIZED BY FOX.