

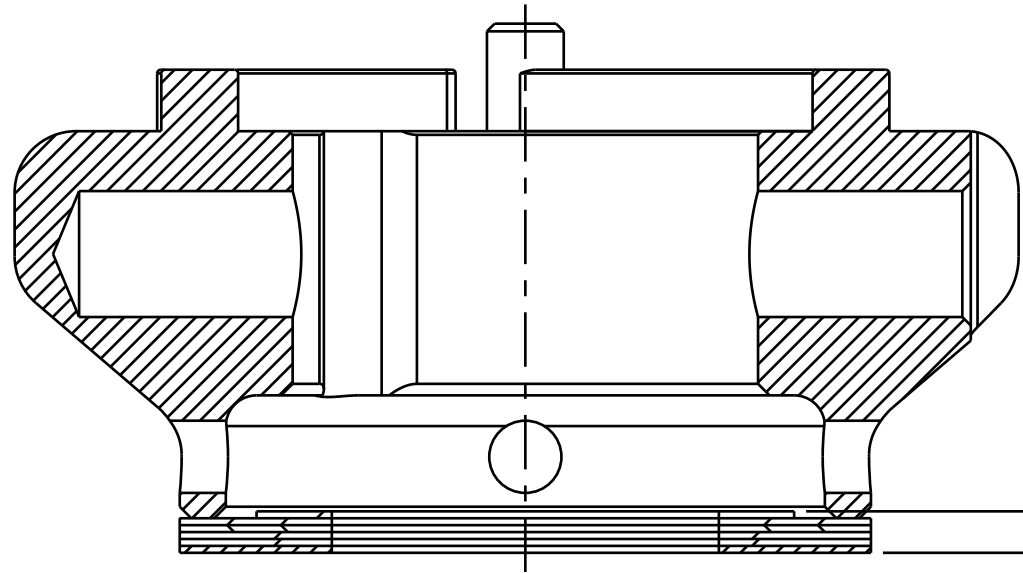
4

3

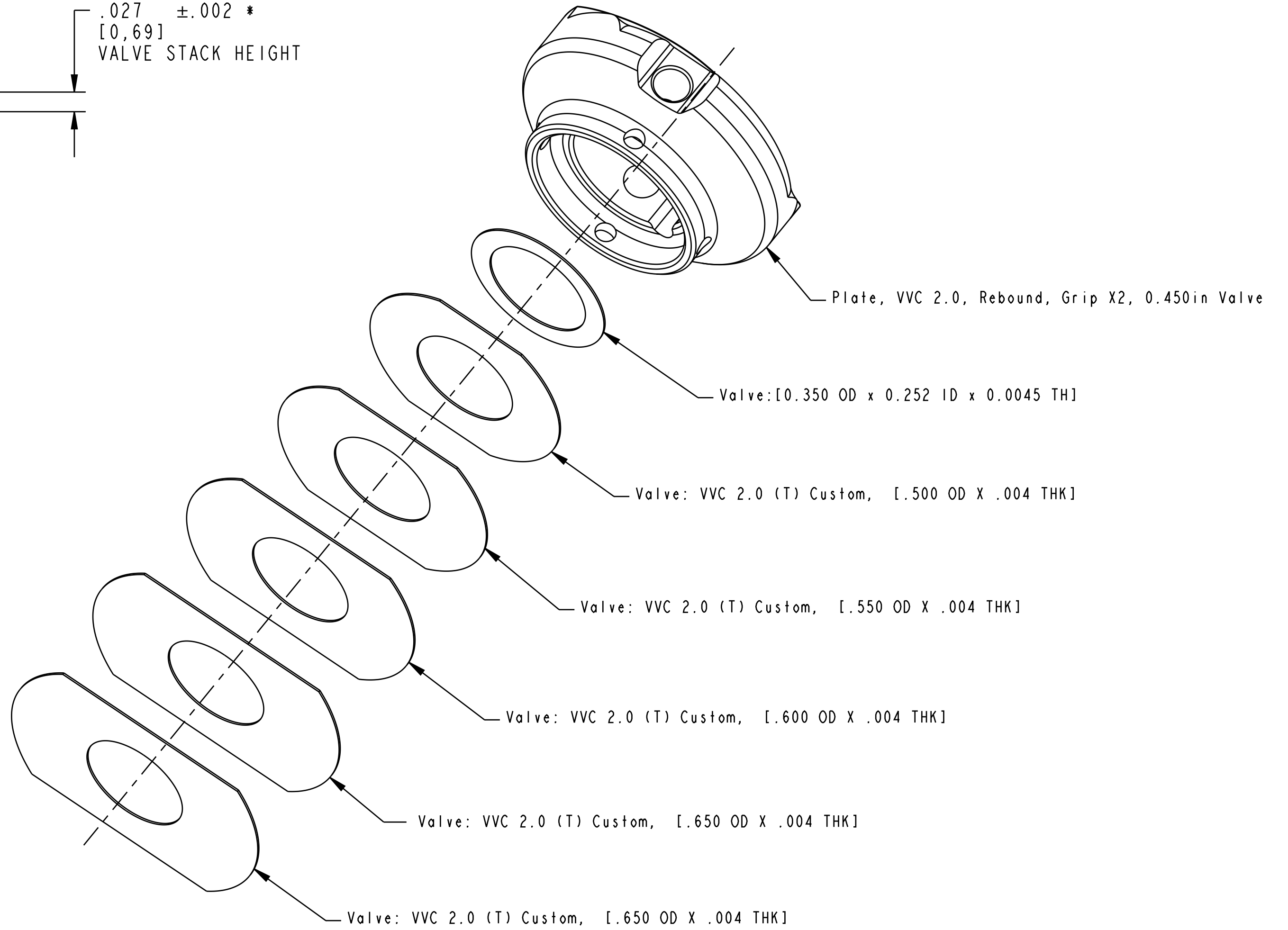
2

1

PROPRIETARY
THIS DOCUMENT CONTAINS CONFIDENTIAL, PROPRIETARY
INFORMATION THAT IS FOX PROPERTY. DO NOT DISCLOSE TO
OR DUPLICATE FOR OTHERS EXCEPT AS AUTHORIZED BY FOX.



.027 ±.002 *
[0,69]
VALVE STACK HEIGHT



		FOX Factory, Inc. 2055 Sugarloaf Circle, Suite 300 Duluth, Ga 30097 USA Phone 800-369-7469	
TITLE Valve Stack Assy: 2026 Grip X2, Rebound Valving, RL50			
SIZE C	DWG. NO. 820-03-800-KIT		REV A
PLOT SCALE: 5:1		SHEET: 1 OF 1	

4

3

2

1