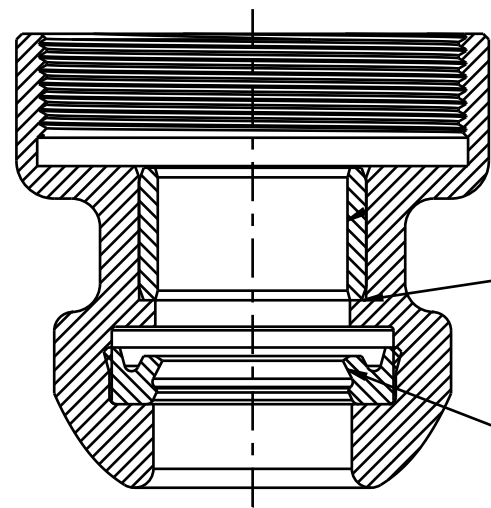


— PROPRIETARY —

THIS DOCUMENT CONTAINS CONFIDENTIAL, PROPRIETARY INFORMATION THAT IS FOX PROPERTY. DO NOT DISCLOSE TO OR DUPLICATE FOR OTHERS EXCEPT AS AUTHORIZED BY FOX.

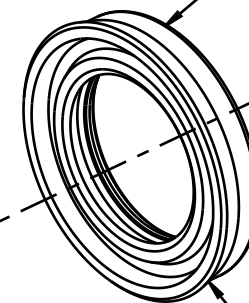


! IMPORTANT: PRESS BUSHING TO THIS SURFACE

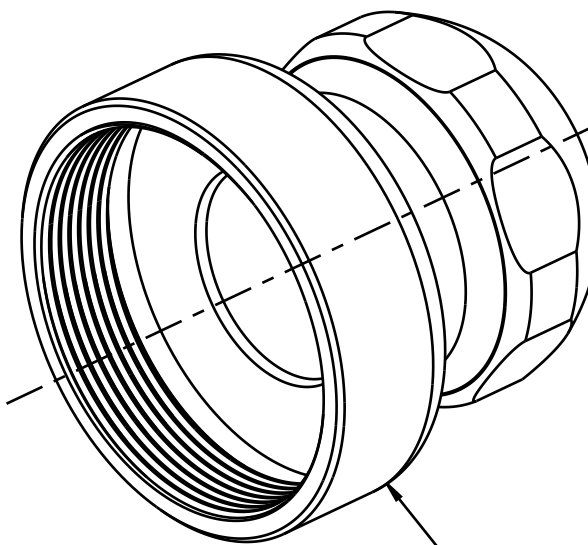
! IMPORTANT: NOTE ORIENTATION OF SEAL



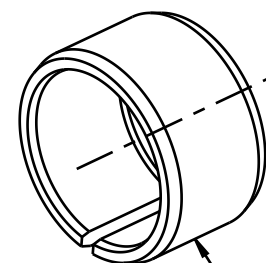
GREASE: THIN LAYER OF SLICK HONEY



Seal: U-cup, 10mm, 70D



Bearing Housing: Grip X2, 2026 PODIUM



Bearing Internal: [10mm ID X 12mm OD X 7mm LG]



**FOX Factory, Inc.**

2055 Sugarloaf Circle, Suite 300  
Duluth, Ga 30097 USA Phone 800-369-7469

TITLE 2026 Grip X2, Bearing Housing Assy, PODIUM

SIZE B	DWG. NO. 820-03-788-KIT	REV 2
-----------	----------------------------	----------

PLOT SCALE: 2.5:1

SHEET: 1 OF 1