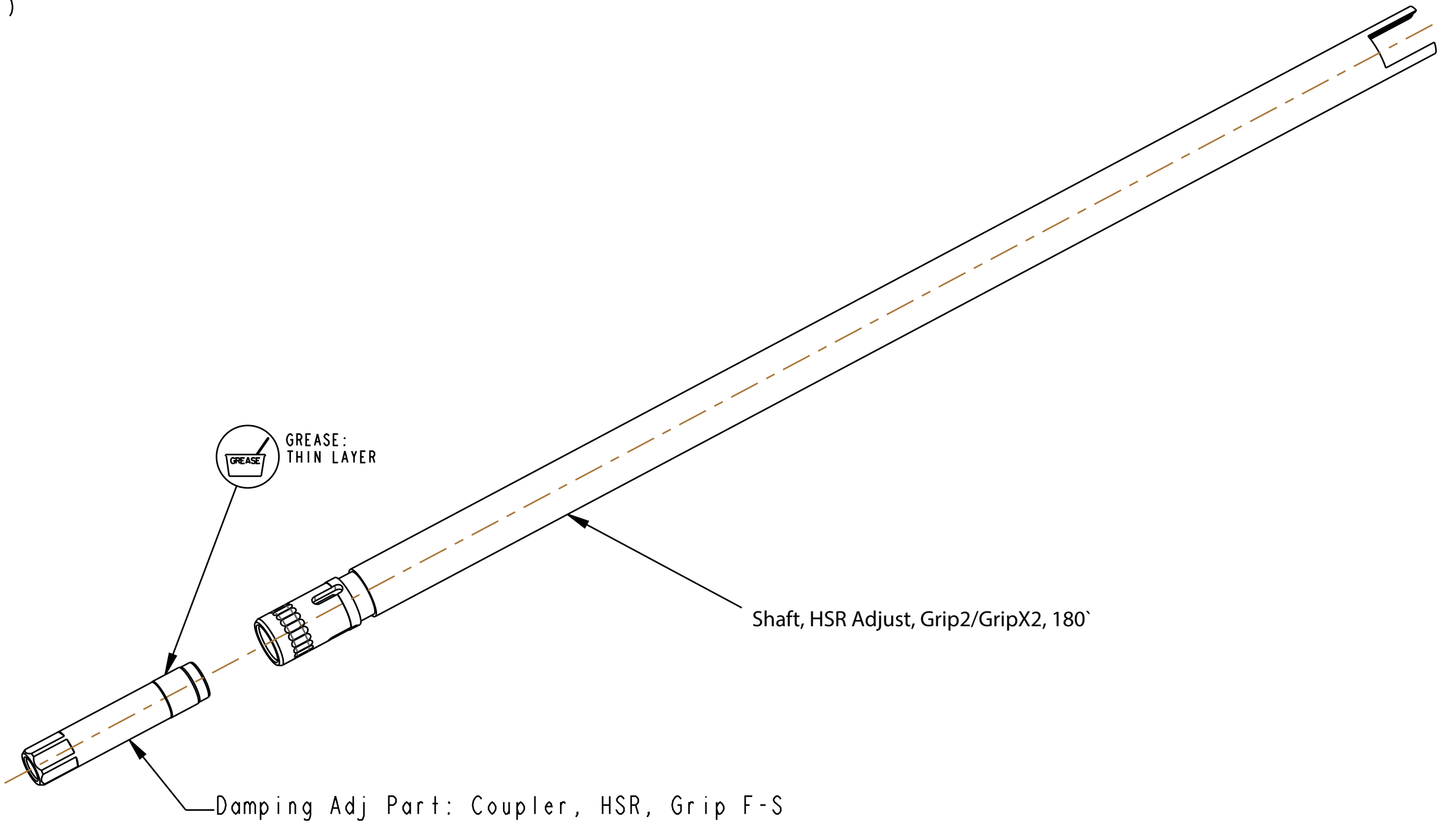


SECTION A-A
SCALE 4:1



PROPRIETARY
THIS DOCUMENT CONTAINS CONFIDENTIAL, PROPRIETARY INFORMATION
THAT IS FOX PROPERTY. DO NOT DISCLOSE TO OR DUPLICATE
FOR OTHERS EXCEPT AS AUTHORIZED BY FOX.

		FOX Factory, Inc.	Ph 831-768-1100
		130 Hangar Way, Watsonville, CA 95076 USA	Fax 831-768-9312
TITLE	2019 36 180, Grip2 HSR 2-Piece Damper Shaft Assy		
SIZE	DWG. NO.	820-03-573-KIT	
C	PLOT SCALE	1.5:1	SHEET 1 OF 1