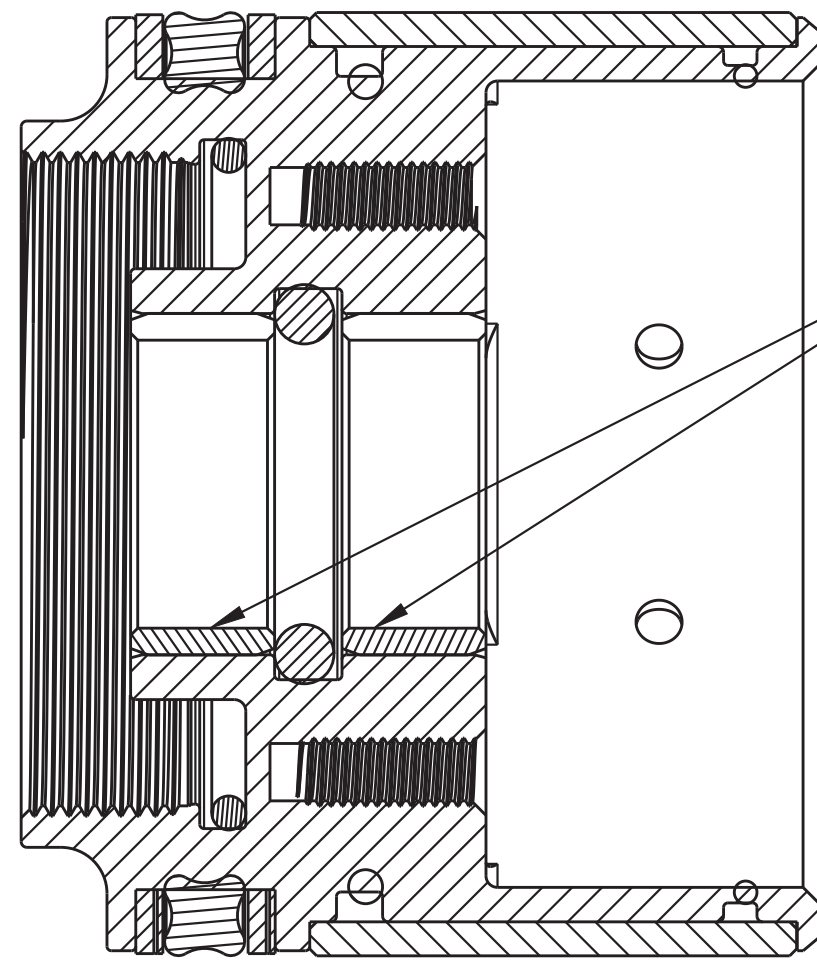


4

3

2

1



! IMPORTANT:  
 SIZE BUSHING AND 100% CHECK  
 WITH GO AND NO-GO PIN GAGES:  
 GO PIN GAGE:  $\varnothing .500$  [12,700]  
 NO-GO PIN GAGE:  $\varnothing .501$  [12,725]

Seals: O-Ring [34.0mm ID X 1.5mm CS] Metric, N-70, Static

Seals: O-Ring [35.0mm ID X 1.0mm CS] Metric, N-70, Static

GREASE:  
 THIN LEVEL  
 OF SLICK HONEY

GREASE:  
 THIN LEVEL  
 OF SLICK HONEY

GREASE:  
 THIN LEVEL  
 OF SLICK HONEY

Bearing: (T) External [.111 W X 1.630 OD X .047 TH,  $\varnothing 1.640$  Bore] TFM, Rad, Split

Seals: O-Ring [(-214) .139 C.S. X 0.984 ID]

Bearing: (T) External [.111 W X 1.630 OD X .047 TH,  $\varnothing 1.640$  Bore] TFM, Rad, Split

Seals: O-Ring [27.5mm ID X 1.5mm CS] Metric, N-70, Static

Bearing: Internal [0.500 ID X 0.25 TLG X  $\varnothing 0.498$  Shaft] DP4 Material

Bearing Housing: 2025 FLOAT X, GENIE, 55mm, G2

Seals: O-Ring [(-112) .103 C.S. X .487 ID] NBR, 90A, Dynamic, TSS

Bearing: Internal [0.500 ID X 0.25 TLG X  $\varnothing 0.498$  Shaft] DP4 Material

NOTES: (UNLESS OTHERWISE SPECIFIED)

I GLIDE BAND SHOWN FOR REFERENCE.

**FOX** FOX Factory, Inc. Ph 831-768-1100  
 130 Hangar Way, Watsonville, CA 95076 USA Fax 831-768-9312

TITLE  
 Bearing Housing Assy:  
 2025 FLOAT X GENIE

SIZE DWG. NO. 812-06-119-KIT  
 C  
 PLOT SCALE 2:1 SHEET 1 OF 1

PROPRIETARY - PROPRIETARY INFORMATION  
 THAT IS FOX PROPERTY. DO NOT DISCLOSE TO OR DUPLICATE  
 FOR OTHERS EXCEPT AS AUTHORIZED BY FOX.

4

3

2

1

ProE ASSEM