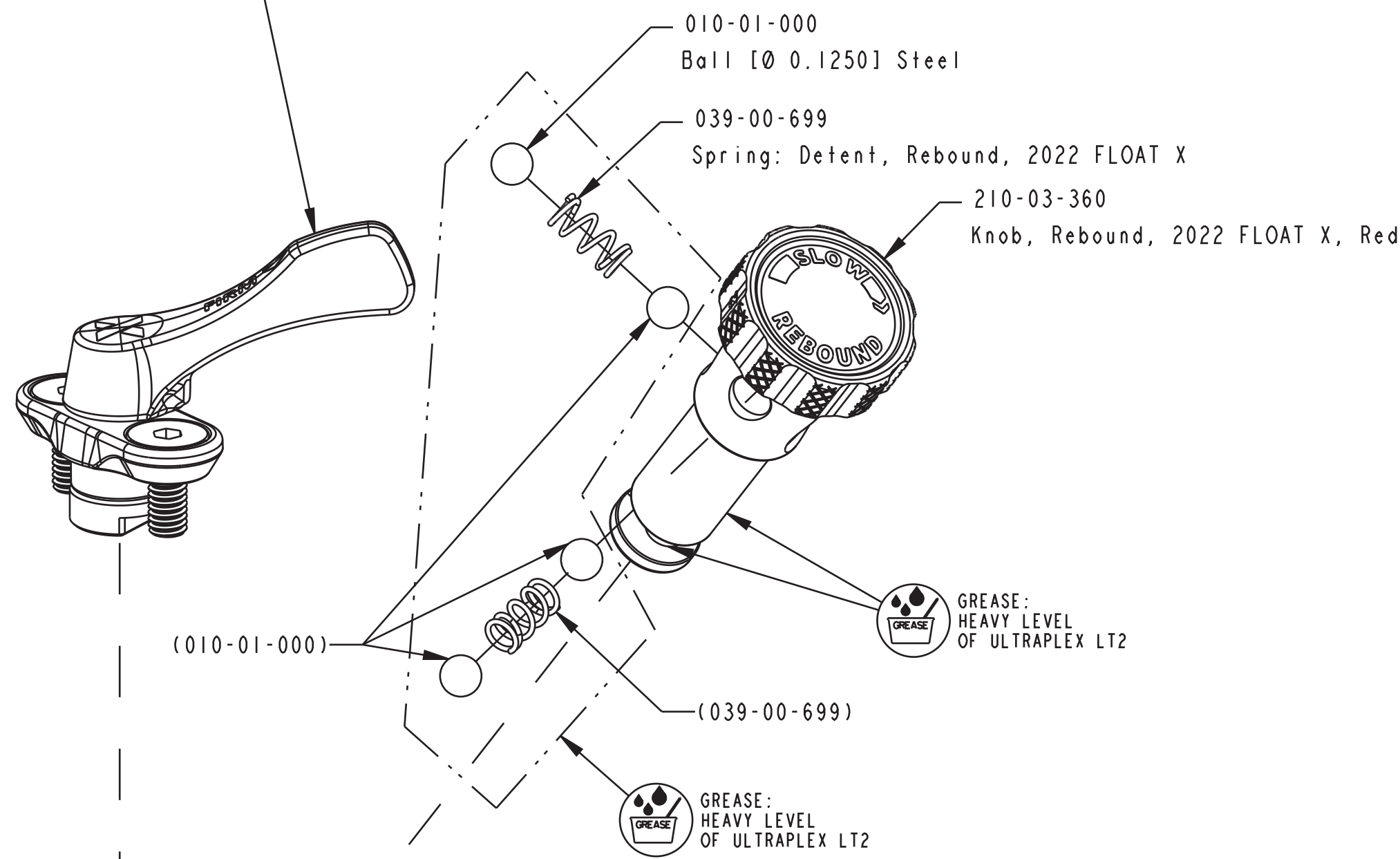


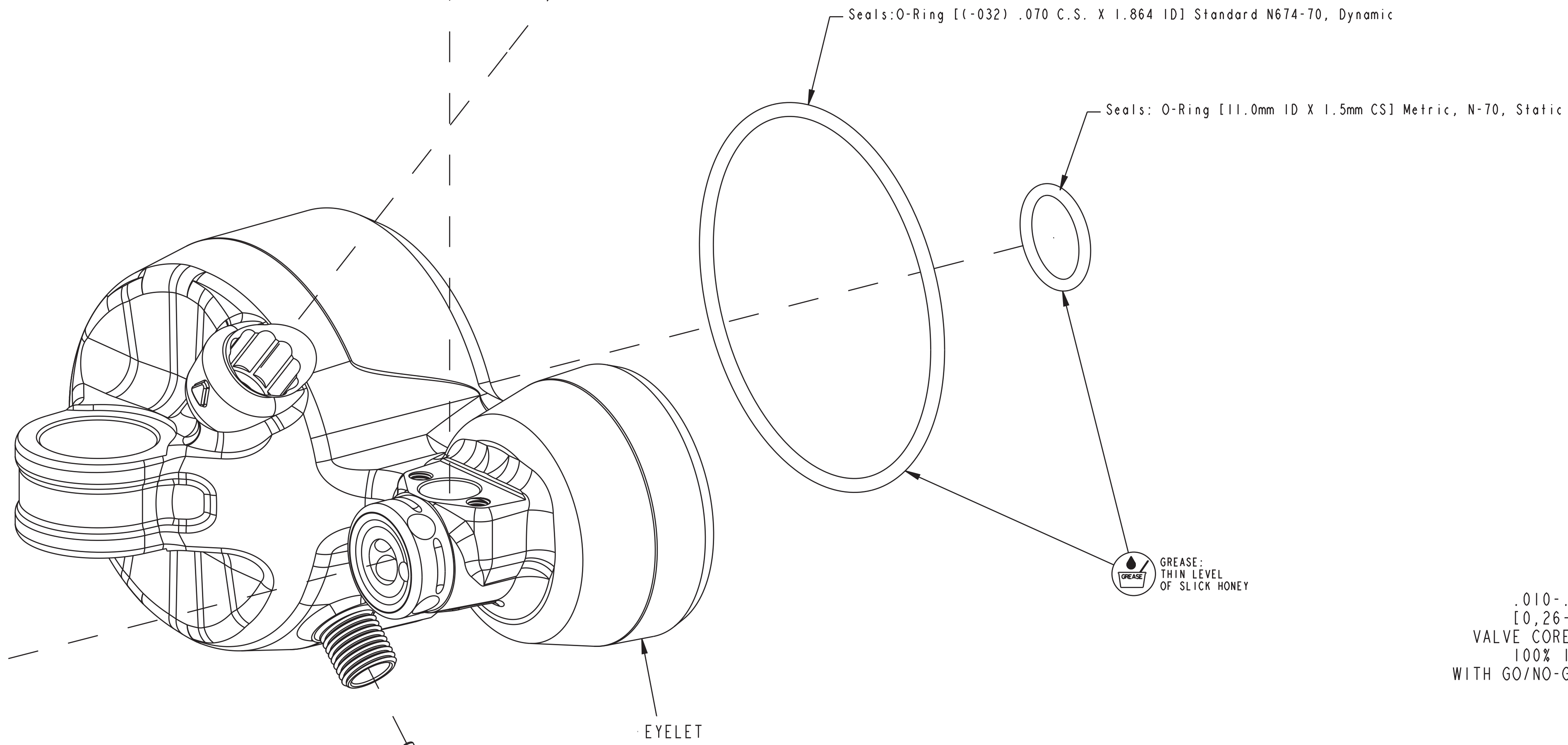
SECTION A-A

808-17-472-KIT
Eyelet Sub Assy: Lever, 2pos, 2022 FLOAT X & DHX



010-01-000
Ball [Ø 0.1250] Steel
039-00-699
Spring: Detent, Rebound, 2022 FLOAT X
210-03-360
Knob, Rebound, 2022 FLOAT X, Red

GREASE: HEAVY LEVEL OF ULTRAPLEX LT2
GREASE: HEAVY LEVEL OF ULTRAPLEX LT2



Seals: O-Ring [(-032) .070 C.S. X 1.864 ID] Standard N674-70, Dynamic
Seals: O-Ring [11.0mm ID X 1.5mm CS] Metric, N-70, Static

GREASE: THIN LEVEL OF SLICK HONEY



808-17-470-KIT
Eyelet Sub Assy: LSC, 2022 FLOAT X & DHX

010-00-005
Air Valve Parts: Core, Eaton, Low pressure

010-00-057
Air Valve Parts: Cap, Air Valve [.305-32], Black, 6061

.010-.040 *
[0.26-1.01]
VALVE CORE DEPTH
100% INSPECT
WITH GO/NO-GO GAGE

SECTION B-B
SCALE 1.5:1

FOX Factory, Inc.
130 Hangar Way, Watsonville, CA 95076 USA
Ph 831-768-1100
Fax 831-768-9312

TITLE
Eyelet Assy: 2026 FLOAT X GENIE,
No BV, Standard, LSC, 2-pos Lever

SIZE DWG. NO. 808-17-677-KIT

PLOT SCALE 2.5:1 SHEET 1 OF 1

PROPRIETARY - THIS DOCUMENT CONTAINS CONFIDENTIAL, PROPRIETARY INFORMATION THAT IS FOR PROPERTY USE ONLY. DO NOT DISCLOSE TO OR DUPLICATE FOR OTHERS EXCEPT AS AUTHORIZED BY FOX.