

4

3

2

1

D

D

C

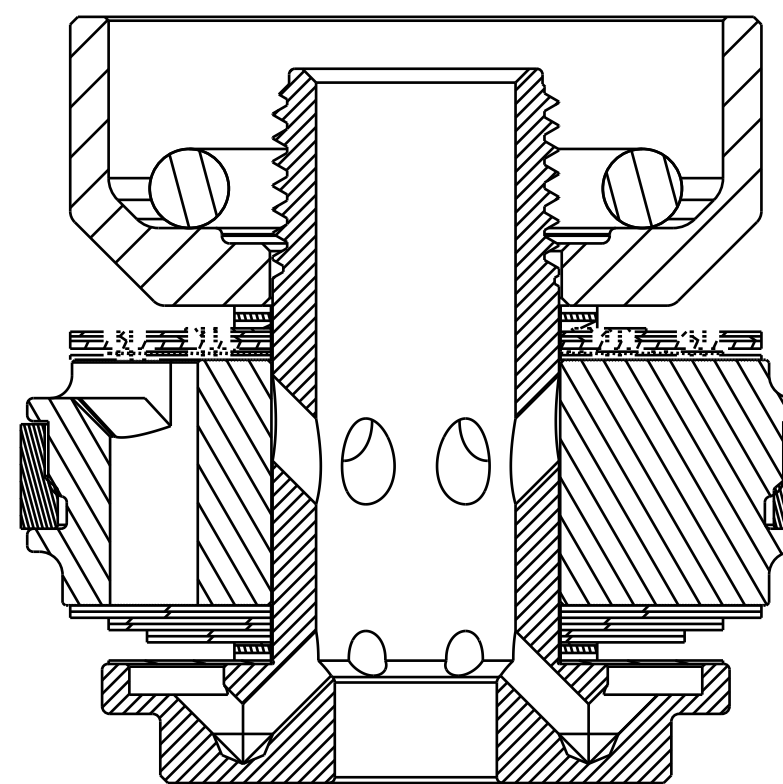
C

B

B

A

A



SECTION A-A
SCALE 4:1

! IMPORTANT:
NOTE PROPER
PISTON ASSY ORIENTATION

O-Ring [(-112) .103 C.S. X .487 ID] Poly, 92 Duro

Spacer: Topout Plate, 2022 FLOAT X

805-02-320-KIT
Piston Assy: 2023 FLOAT X & DHX, Main, FC

COMPRESSION VALVING ASSY [2]
(Not Included in 807-06-317-KIT)

REBOUND VALVING ASSY [2]
(Not Included in 807-06-317-KIT)

Piston Bolt, 2022 FLOAT X, G2

[2] VALVING ASSEMBLIES SHOWN FOR REFERENCE

- PROPRIETARY -
THIS DOCUMENT CONTAINS CONFIDENTIAL, PROPRIETARY INFORMATION
THAT IS FOX PROPERTY. DO NOT DISCLOSE TO OR DUPLICATE
FOR OTHERS EXCEPT AS AUTHORIZED BY FOX.

FOX		FOX Factory, Inc.		Ph 831-768-1100
		130 Hangar Way, Watsonville, CA 95076 USA		Fax 831-768-9312
TITLE Valving Assy: 2022 FLOAT X, Main Piston Parts				
SIZE	DWG. NO.	807-06-317-KIT		
C				
PLOT SCALE	3:1			SHEET 1 OF 1

4

3

2

1