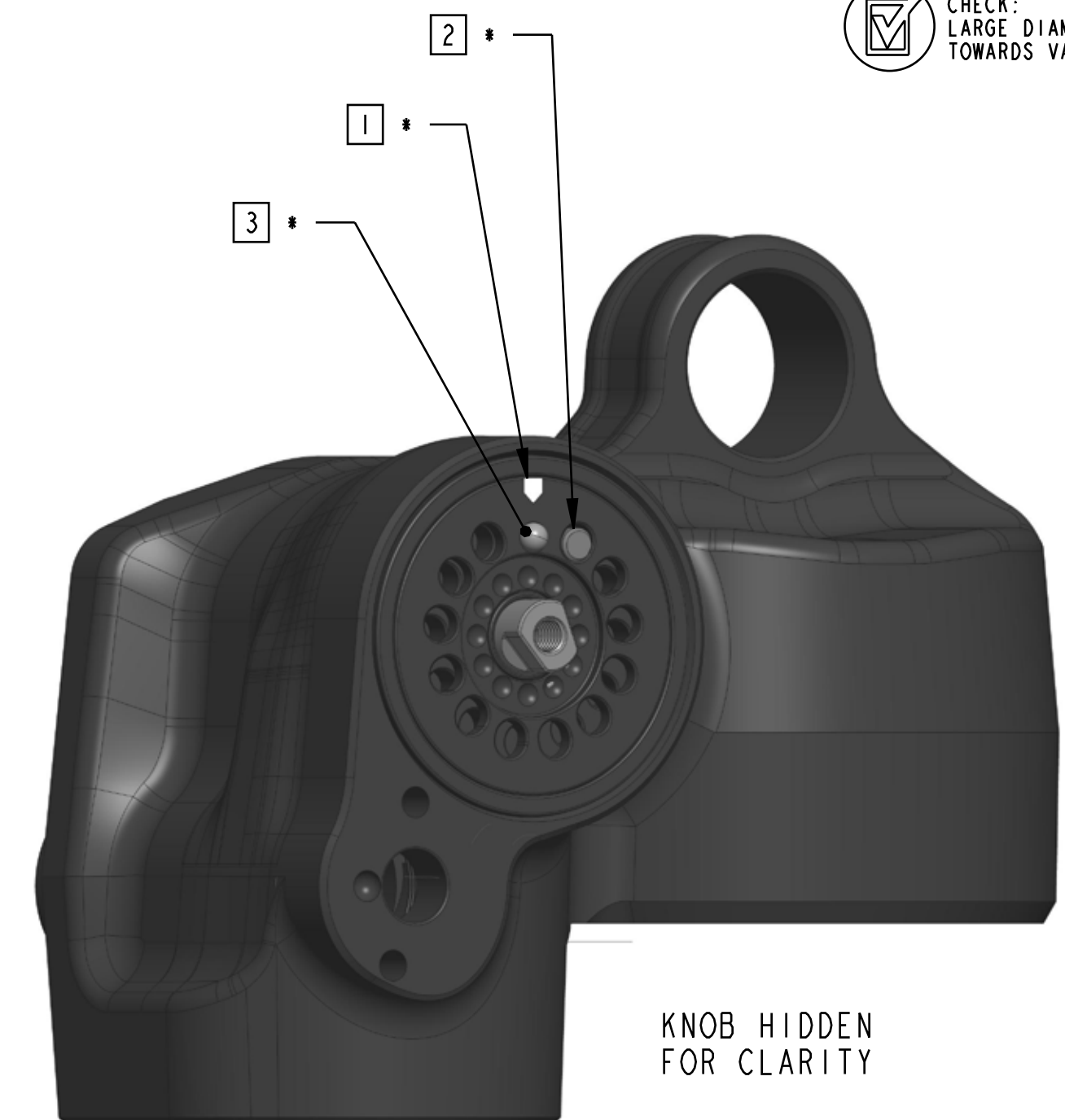
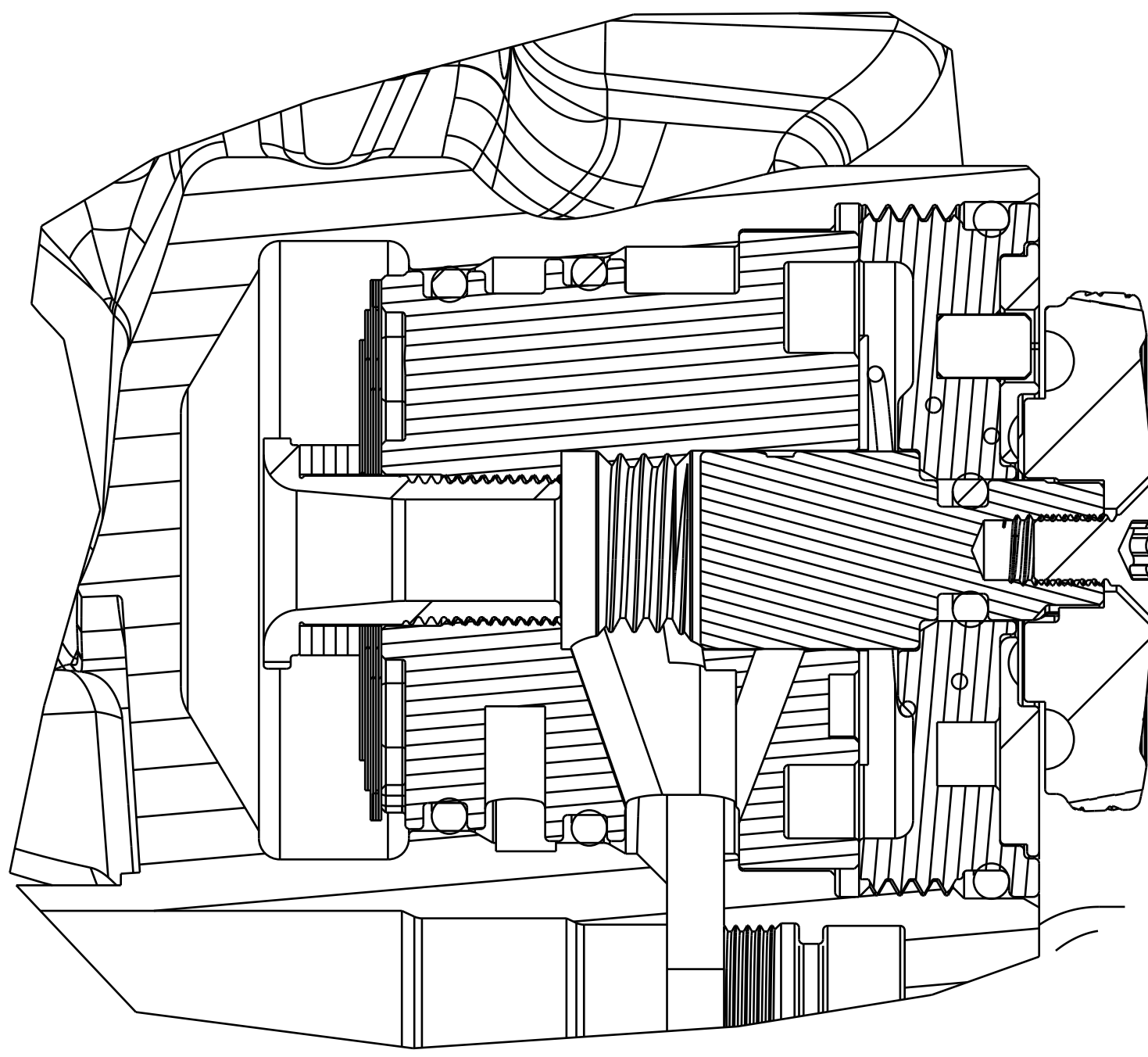


- NOTES:
- ALIGN LOCKING PLATE SO LASER ETCH ARROW IS AT THE TOP.
  - PLACE DOWEL PIN IN PAIR OF HOLES MOST CLOSELY ALIGNED. ACTUAL PAIR OF HOLES WILL VARY BY ASSEMBLY AND MAY NOT MATCH INDICATED LOCATION SHOWN.
  - PLACE HARDSTOP BALL INTO HOLE ALIGNED WITH ARROW.



PROPRIETARY - THIS DOCUMENT CONTAINS CONFIDENTIAL, PROPRIETARY INFORMATION THAT IS FOR PROPERTY. DO NOT DISCLOSE TO OR DUPLICATE FOR OTHERS EXCEPT AS AUTHORIZED BY FOX.