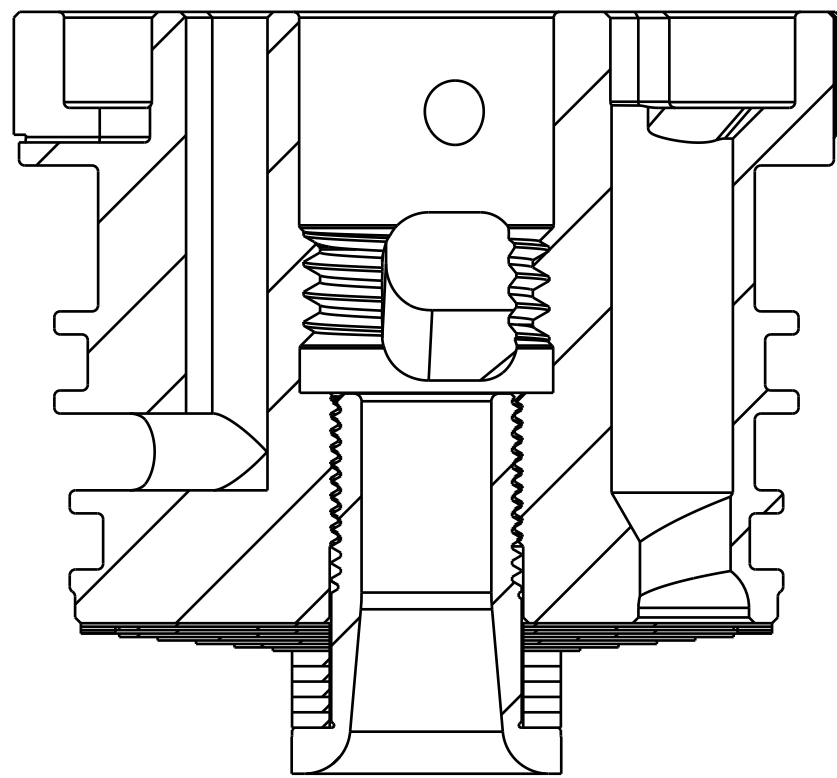


4

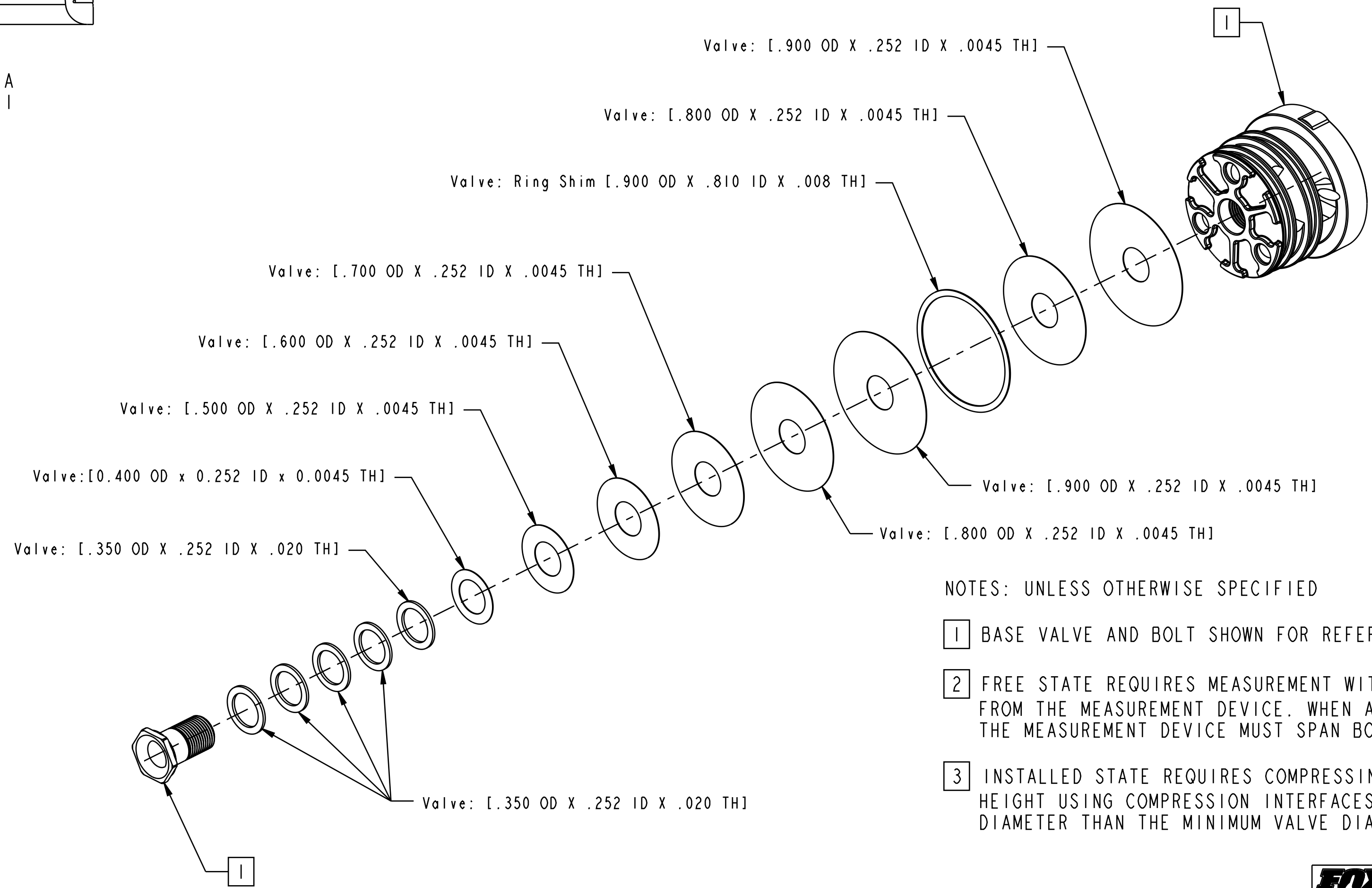
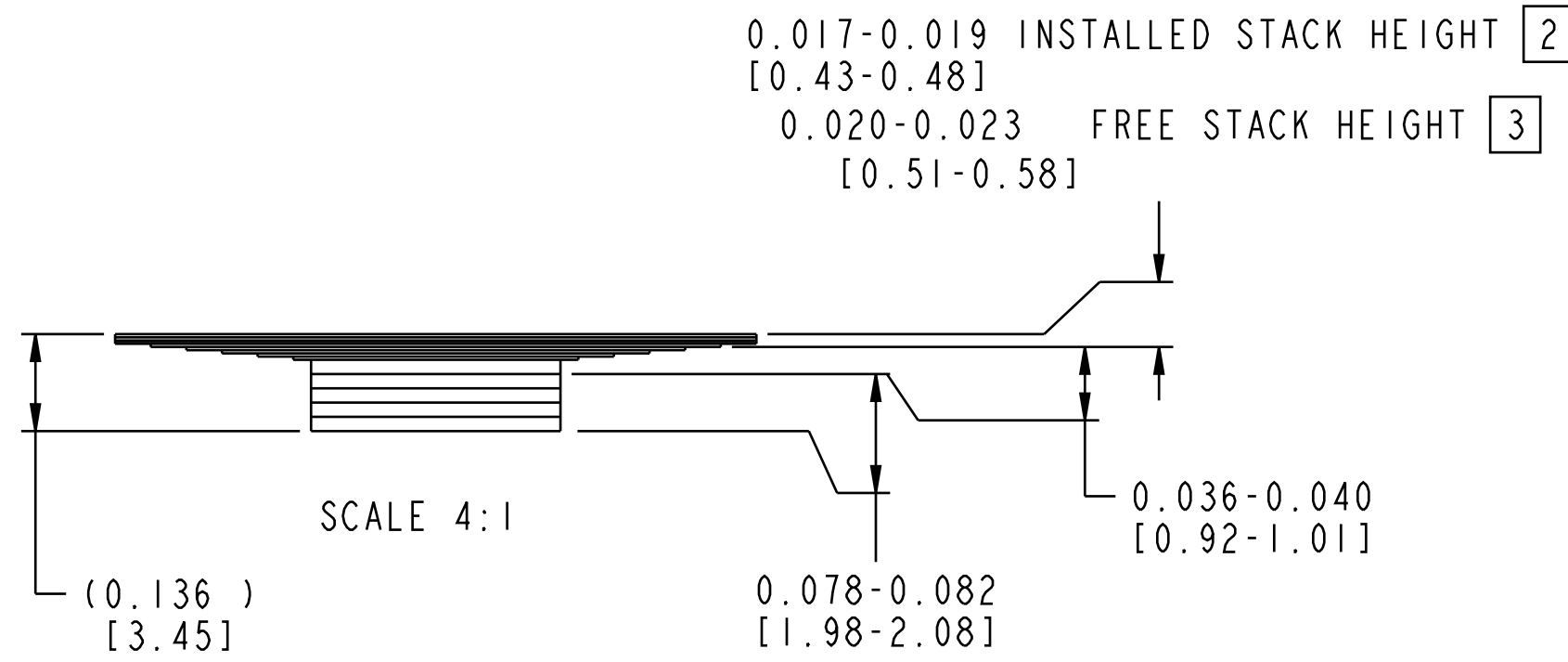
3

2

1



SECTION A-A
SCALE 4:1



NOTES: UNLESS OTHERWISE SPECIFIED

- [1] BASE VALVE AND BOLT SHOWN FOR REFERENCE PURPOSES.
- [2] FREE STATE REQUIRES MEASUREMENT WITH MINIMAL FORCE APPLIED FROM THE MEASUREMENT DEVICE. WHEN A RING SHIM IS PRESENT, THE MEASUREMENT DEVICE MUST SPAN BOTH SIDES OF THE RING SHIM.
- [3] INSTALLED STATE REQUIRES COMPRESSING THE VALVE STACK TO SOLID HEIGHT USING COMPRESSION INTERFACES THAT ARE NO LARGER IN DIAMETER THAN THE MINIMUM VALVE DIAMETER.

- PROPRIETARY -
THIS DOCUMENT CONTAINS CONFIDENTIAL, PROPRIETARY INFORMATION
THAT IS FOX PROPERTY. DO NOT DISCLOSE TO OR DUPLICATE
FOR OTHERS EXCEPT AS AUTHORIZED BY FOX.

FOX		FOX Factory, Inc.		Ph 831-768-1100
		130 Hangar Way, Watsonville, CA 95076 USA		Fax 831-768-9312
TITLE				
Valve Stack Assy: 2025 FLOAT X & DHX Live Valve Neo, B20, Base Valve Compression				
SIZE		DWG. NO.		
C		805-05-243-KIT		
PLOT SCALE 1.6:1		SHEET 1 OF 1		

4

3

2

1