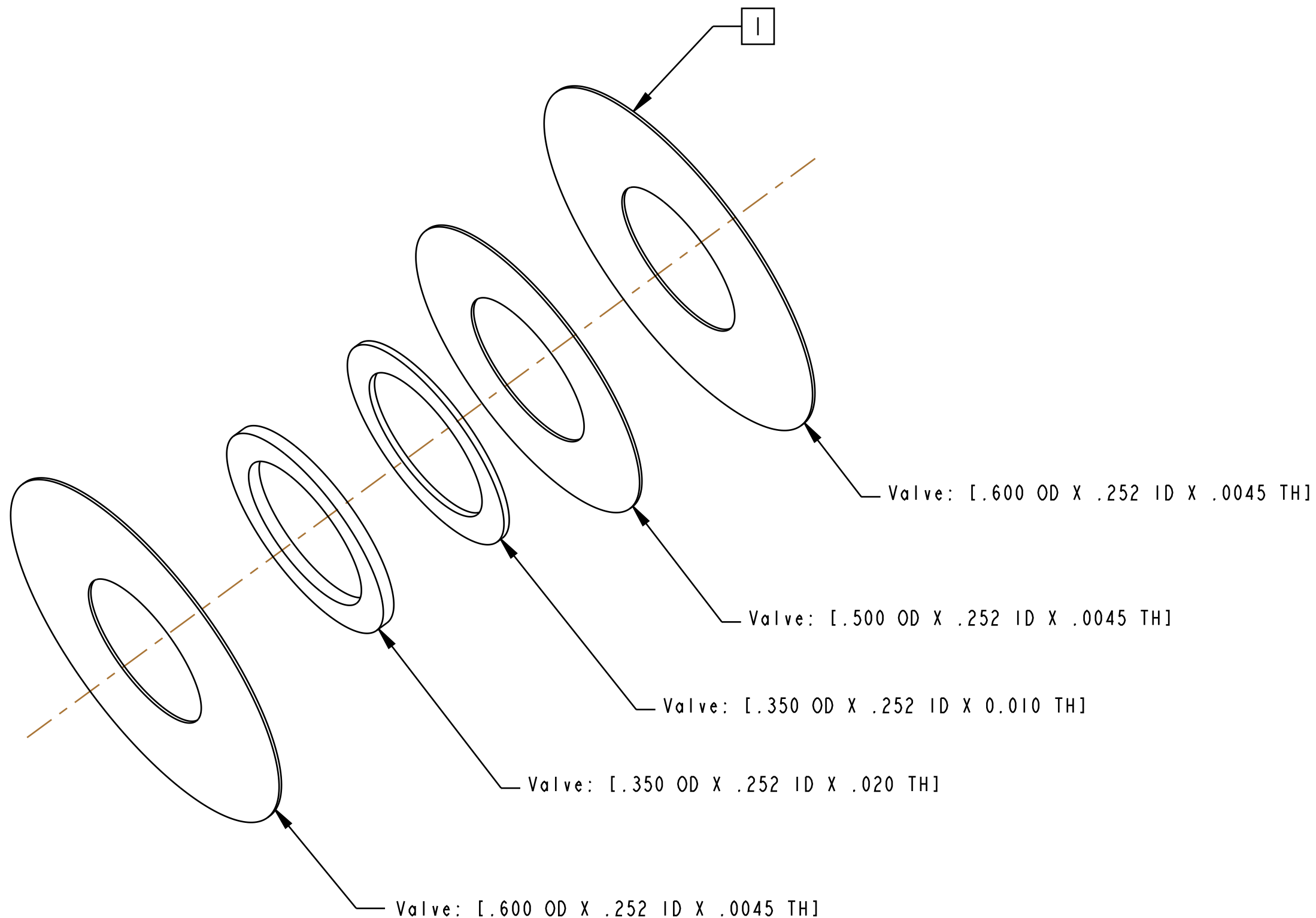
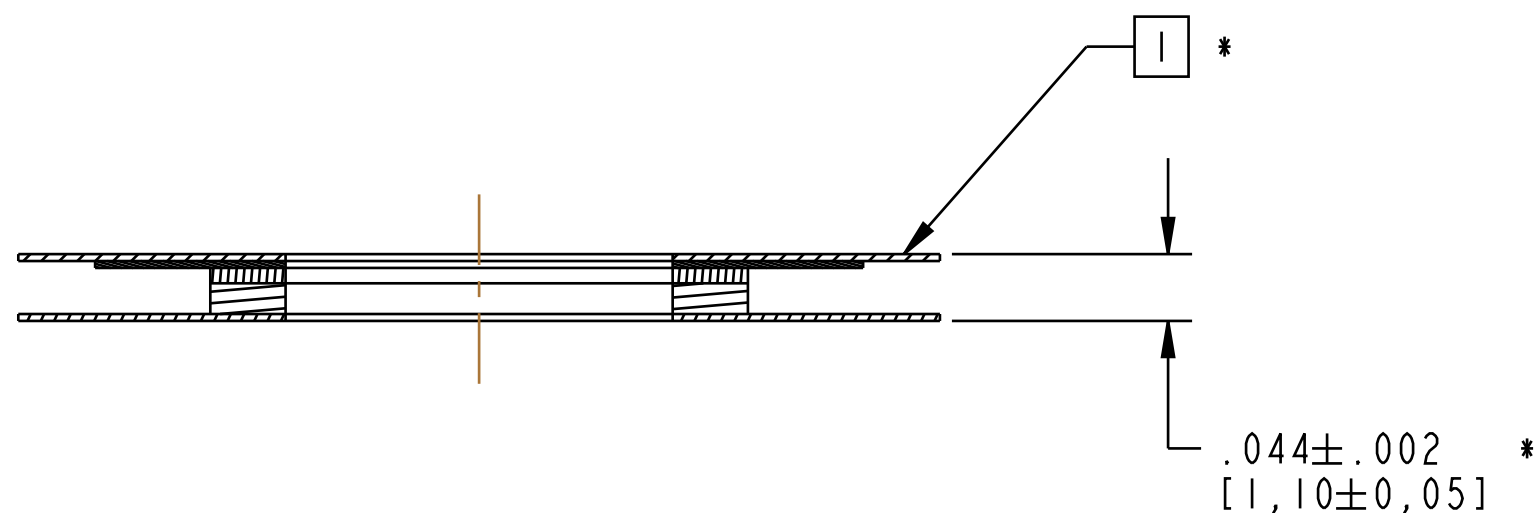


4

3

2

1



NOTES: (UNLESS OTHERWISE SPECIFIED)

1 THIS VALVE FACES LOCKOUT PISTON *

- PROPRIETARY -
THIS DOCUMENT CONTAINS CONFIDENTIAL, PROPRIETARY INFORMATION
THAT IS FOX PROPERTY. DO NOT DISCLOSE TO OR DUPLICATE
FOR OTHERS EXCEPT AS AUTHORIZED BY FOX.

FOX FOX Factory, Inc. Ph 831-768-1100
130 Hangar Way, Watsonville, CA 95076 USA Fax 831-768-9312

TITLE Valve Stack Assy: 2024
Float, Lockout Medium, CMM

SIZE DWG. NO. **C** 805-05-600-KIT

PLOT SCALE 6:1 SHEET 1 OF 1

4

3

2

1

ProE ASSEM