

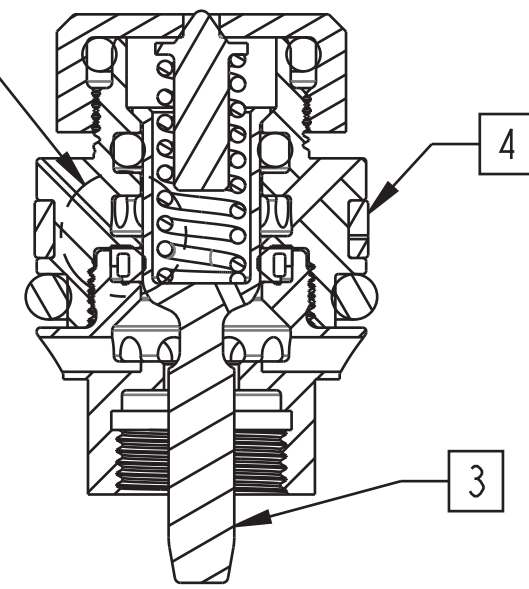
4

3

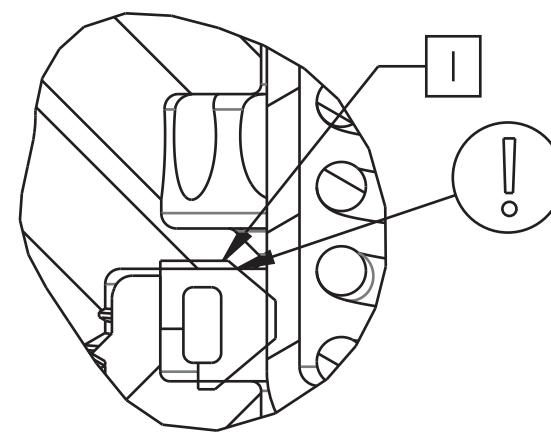
2

1

SEE DETAIL Z



SECTION A-A  
SCALE 3:1



DETAIL Z  
SCALE 10:1

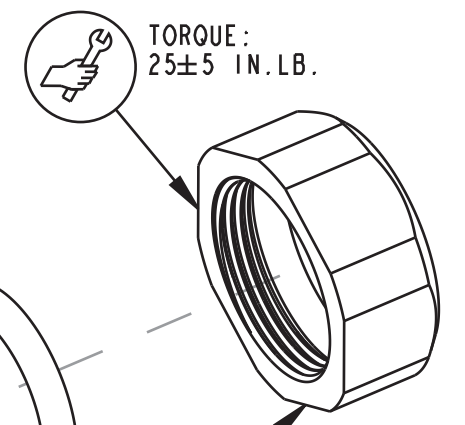
IMPORTANT:  
CANNED SEAL ORIENTATION IS CRITICAL

2025, Transfer, Main Valve Core, Spool Valve

Spring: 2025, Transfer, Music Wire, Spool Valve

TORQUE:  
25±5 IN.LB.

GREASE:  
THIN LAYER  
OF SLICK HONEY



2025, Transfer, Piston Top Cap, Spool Valve

Seals: O-Ring [7.5MM ID x 1.5MM CS] Metric, N-70, Static

2025, Transfer, PRV Valve Core, Spool Valve

Bearing: External [ .136 W X .589 OD X .031 TH, □.587 Bore] PTFE, Ring

Seals: O-Ring [11.5MM ID X 2.0MM CS] Metric, N-70, Dynamic

Seals: O-Ring [5.0MM ID x 1.5MM CS] Metric, N-70, Static

2025, Transfer, Piston V3, Upper

2025, Transfer, Canned valve seal

2025, Transfer, Piston V3, Lower

IMPORTANT:  
CANNED SEAL ORIENTATION IS CRITICAL.

TORQUE:  
25±5 IN.LB.

GREASE:  
THIN LAYER  
OF SLICK HONEY

GREASE:  
THIN LAYER  
OF SLICK HONEY

GREASE:  
THIN LAYER  
OF SLICK HONEY

NOTES: (UNLESS OTHERWISE SPECIFIED)

- 1 CHECK CANNED SEAL ASSEMBLY ORIENTATION.
- 3 PRESS MAIN VALVE CORE AND CHECK IF IT REBOUNDS QUICKLY AFTER ASSEMBLY.
- 4 CHECK IF GLIDE RING'S SPLIT IS ALIGNED AND NOT MISPLACED.

**FOX** FOX Factory, Inc. Ph 831-768-1100  
 130 Hangar Way, Watsonville, CA 95076 USA Fax 831-768-9312

TITLE  
**2025 Transfer, Piston Assy, Spool Valve**

SIZE DWG. NO. **C 825-00-189-KIT**

PLOT SCALE 3:1 SHEET 1 OF 1

PROPRIETARY -  
 THIS DOCUMENT CONTAINS CONFIDENTIAL, PROPRIETARY INFORMATION  
 THAT IS FOX PROPERTY. DO NOT DISCLOSE TO OR DUPLICATE  
 FOR OTHERS EXCEPT AS AUTHORIZED BY FOX.

4

3

2

1

ProE ASSEM