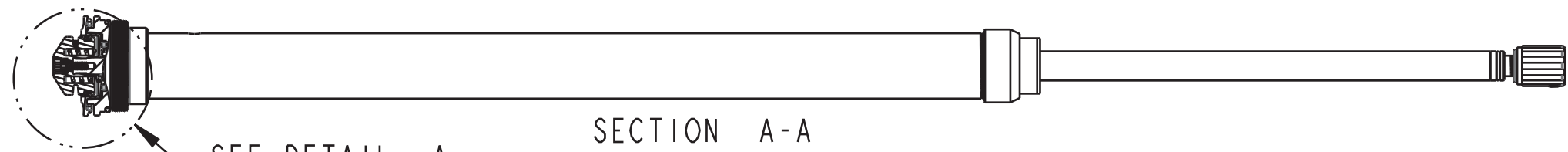


4

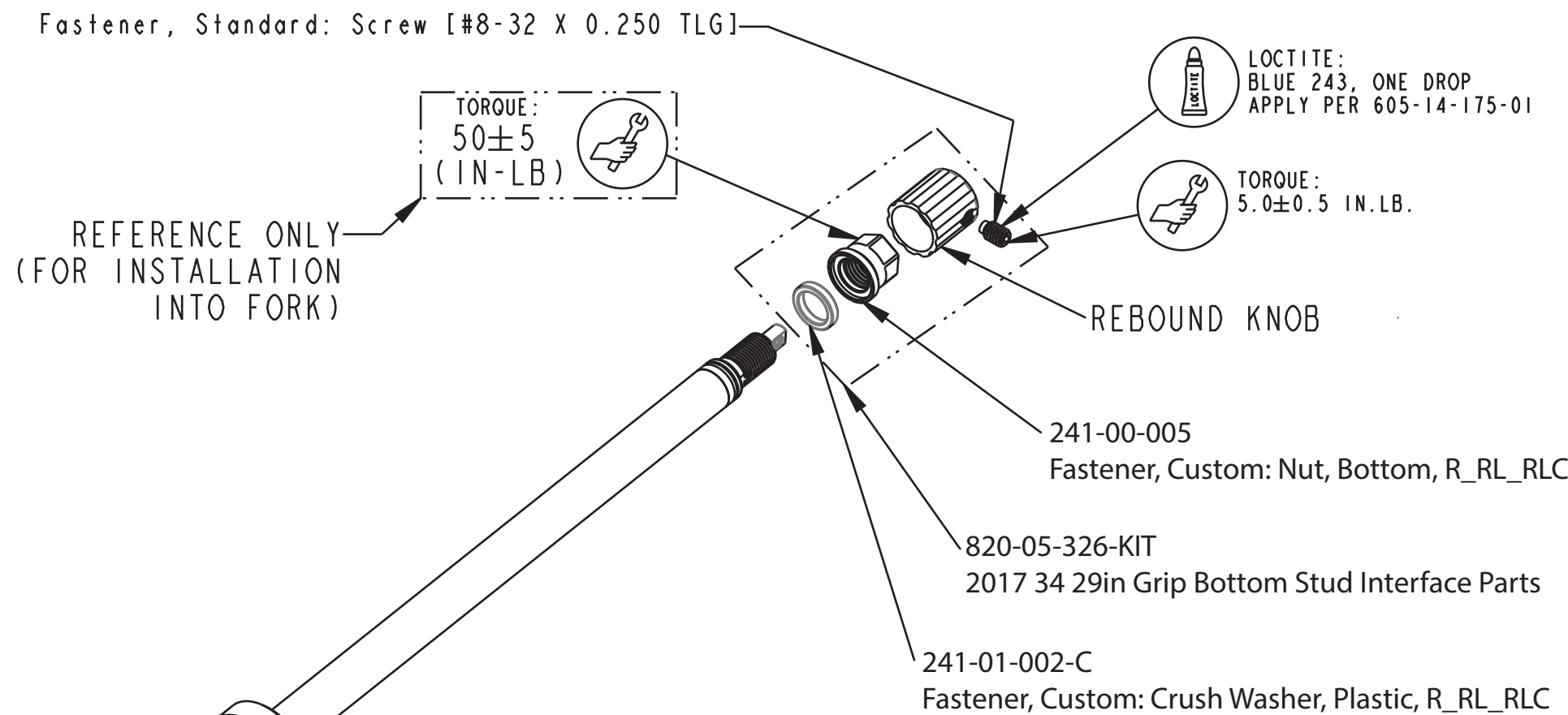
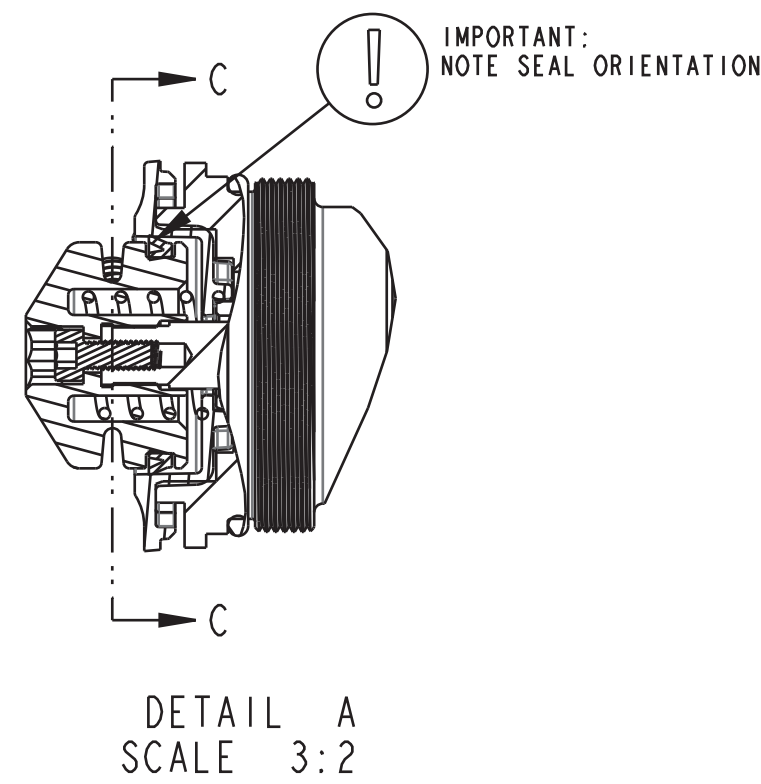
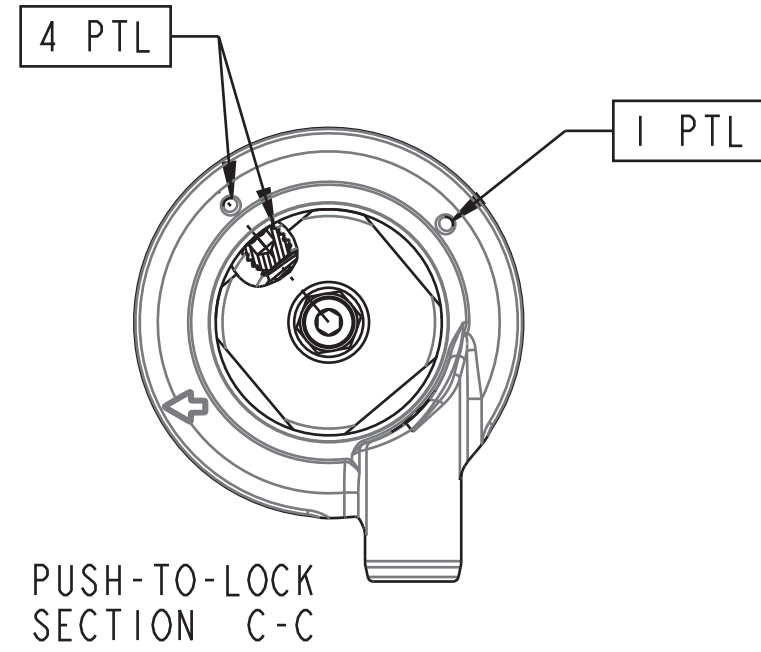
3

2

1



SECTION A-A  
SCALE 1:2



TOPCAP INTERFACE PARTS INSTALL NOTES:

- PUSH-TO-LOCK (PTL):
- 1 PTL SUB-ASSEMBLE TOPCAP INTERFACE PARTS WITH PULLEY SET SCREW FACING THE DOT OPPOSITE THE ARROW.
  - INSTALL 1 PTL SUB-ASSY TO DAMPER WITH ARROW FACING DESIRED DIRECTION FOR CABLE ROUTING. TIGHTEN SCREW 2-3 TURNS (DO NOT RUN DOWN).
  - ROTATE ENTIRE SUB-ASSY 270° CCW AFTER INSTALLING. CHECK CABLE DIRECTION. TORQUE SCREW WHILE HOLDING PULLEY
  - 4 PTL WHEN LOCKED OUT (ADD 5-6 IN-LB CW TORQUE TO PULLEY), SET SCREW MUST BE ALIGNED TO MARK ±20°.
  - PULLEY MUST RETURN FREELY AFTER LOCKOUT (FROM FORCE OF TORSION SPRING ALONE).

TORQUE: PUSH-TO-LOCK & PUSH-TO-UNLOCK: NEEDLE TO 2.0 ± .15 IN-LB BEFORE INSTALLING TOPCAP INTERFACE PARTS (SAME TORQUE FOR CARTRIDGE DYNO)

REFERENCE ONLY (FOR INSTALLATION INTO FORK)

TORQUE: 220±5 IN.LB.

TORQUE: (10±1 IN.LB) REF: FOR BIKE INSTALL

TORQUE: 6±1 IN.LB.

GREASE: THIN LAYER BLUE MARINE GREASE ID AND OD

Seals: U-Cup, Shore 70A, 2013 CTD-ADJ, Remote Fit-CTD and Remote O/C-CTD

Fastener: Custom (Metric): Set Screw [M4 x .7mm x 3mm] SST, Patchlock

Cable Pulley Remote, 2020 GRIP

Fastener Standard (Metric): Screw [M2.5X8mm] Socket Head Cap, SS

CABLE HOUSING

820-05-611-KIT 2020 Grip Push-Lock Remote, Topcap Interface Parts

TORSION SPRING

PROPRIETARY - THIS DOCUMENT CONTAINS CONFIDENTIAL, PROPRIETARY INFORMATION THAT IS FOX PROPERTY. DO NOT DISCLOSE TO OR DUPLICATE FOR OTHERS EXCEPT AS AUTHORIZED BY FOX.

**FOX** FOX Factory, Inc. Ph 831-768-1100  
130 Hangar Way, Watsonville, CA 95076 USA Fax 831-768-9312

TITLE  
2025 32 Rhythm 27.5 & 29 80-120, QR15X110, Grip Push-Lock Remote Cart Assy Complete

SIZE DWG. NO. **C** 820-18-564-KIT

PLOT SCALE ~1:1 SHEET 1 OF 1

4

3

2

1

ProE ASSEM