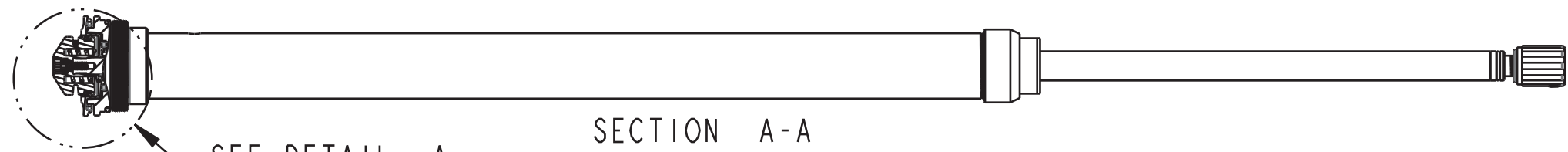


4

3

2

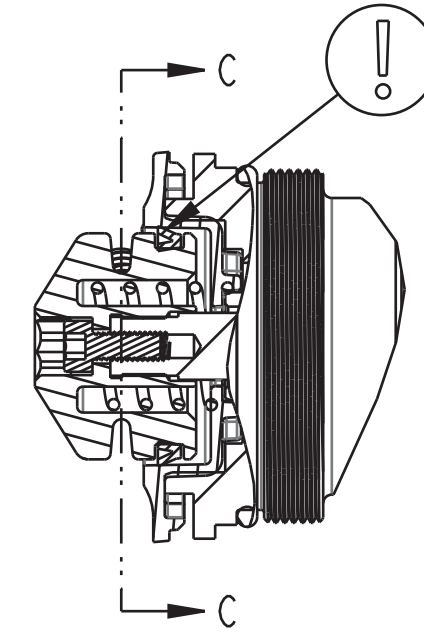
1



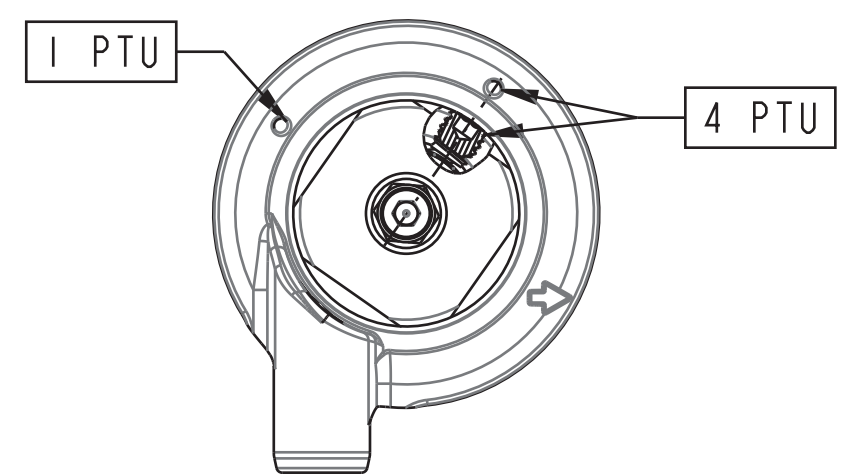
SEE DETAIL A

SECTION A-A
SCALE 1:2

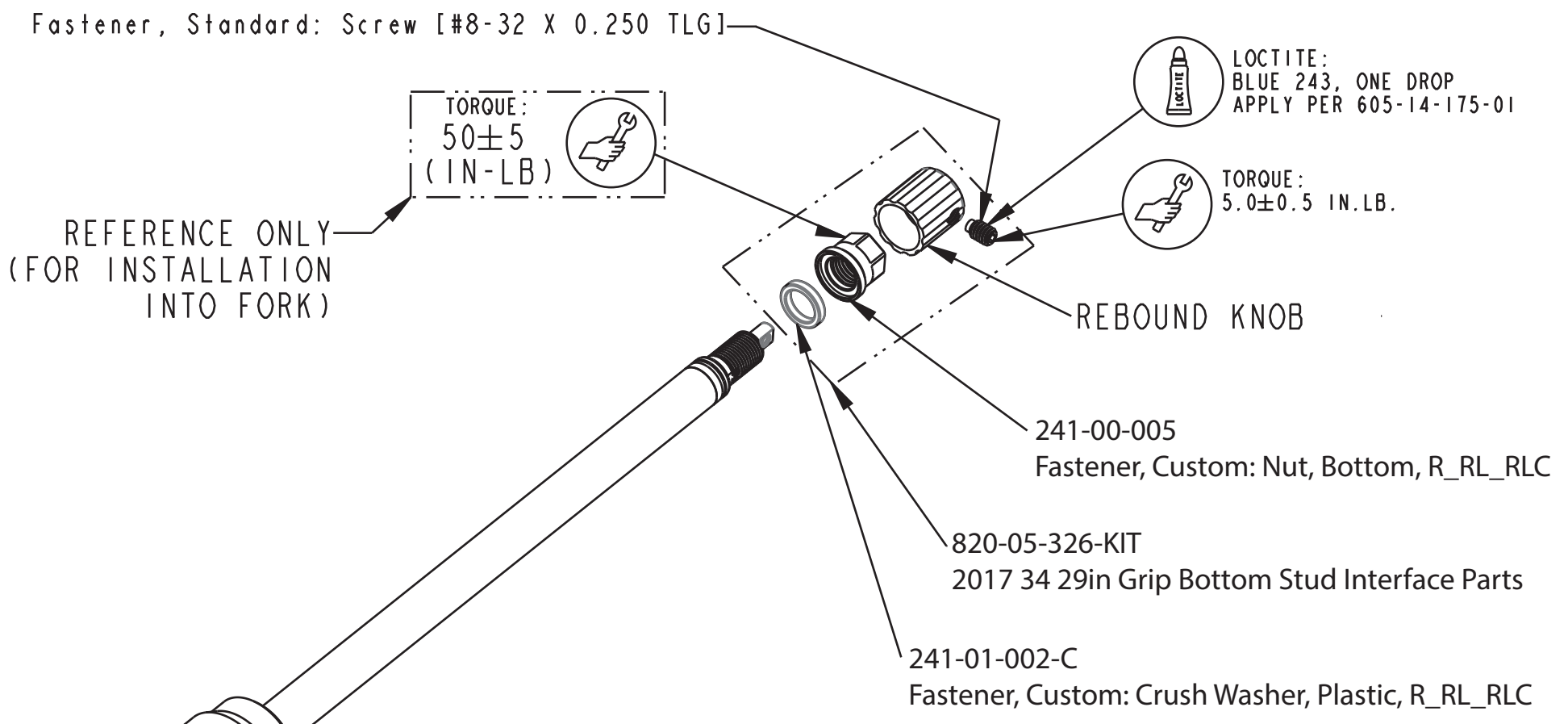
IMPORTANT:
NOTE SEAL ORIENTATION



DETAIL A
SCALE 3:2



PUSH-TO-UNLOCK
SECTION C-C
SCALE 3:2



REFERENCE ONLY
(FOR INSTALLATION
INTO FORK)

TORQUE:
50±5
(IN-LB)

LOCTITE:
BLUE 243, ONE DROP
APPLY PER 605-14-175-01

TORQUE:
5.0±0.5 IN.LB.

REBOUND KNOB

241-00-005
Fastener, Custom: Nut, Bottom, R_RL_RLC

820-05-326-KIT
2017 34 29in Grip Bottom Stud Interface Parts

241-01-002-C
Fastener, Custom: Crush Washer, Plastic, R_RL_RLC

TOPCAP INTERFACE PARTS INSTALL NOTES:

PUSH-TO-UNLOCK (PTU):

- 1 PTU SUB-ASSEMBLE TOPCAP INTERFACE PARTS WITH PULLEY SET SCREW FACING THE DOT OPPOSITE THE ARROW.
2. INSTALL 1 PTU PARTS SUB-ASSY TO DAMPER WITH ARROW FACING DESIRED DIRECTION FOR CABLE ROUTING. TIGHTEN SCREW 4-5 TURNS (DO NOT RUN DOWN).
3. ROTATE ONLY CABLE HOUSING 270° CW TO PRELOAD TORSION SPRING. CHECK CABLE DIRECTION.
- 4 PTU WHEN LOCKED OUT (STEP 3 COMPLETE, NO EXTRA TORQUE ADDED TO PULLEY), CHECK THAT SET SCREW IS ALIGNED TO MARK ±20°. TORQUE SCREW WHILE HOLDING PULLEY.
5. PULLEY MUST RETURN FREELY AFTER UNLOCK (FROM FORCE OF TORSION SPRING ALONE)

TORQUE: PUSH-TO-LOCK & PUSH-TO-UNLOCK:
NEEDLE TO 2.0 ± .15 IN-LB BEFORE
INSTALLING TOPCAP INTERFACE PARTS
(SAME TORQUE FOR CARTRIDGE DYNO)

REFERENCE ONLY
(FOR INSTALLATION
INTO FORK)

TORQUE:
220±5 IN.LB.

TORQUE:
(10±1 IN.LB)
REF: FOR BIKE INSTALL

TORQUE:
6±1 IN.LB.

GREASE:
THIN LAYER BLUE MARINE GREASE
ID AND OD

Seals: U-Cup, Shore 70A, 2013 CTD-ADJ, Remote Fit-CTD and Remote O/C-CTD

Fastener: Custom (Metric): Set Screw [M4 x .7mm x 3mm] SST, Patchlock

Cable Pulley Remote, 2020 GRIP

Fastener Standard (Metric): Screw [M2.5X8mm] Socket Head Cap, SS

CABLE HOUSING

820-05-560-KIT
2020 Grip PTU Remote, Topcap Interface Parts

TORSION SPRING

PROPRIETARY
THIS DOCUMENT CONTAINS CONFIDENTIAL, PROPRIETARY INFORMATION
THAT IS FOX PROPERTY. DO NOT DISCLOSE TO OR DUPLICATE
FOR OTHERS EXCEPT AS AUTHORIZED BY FOX.

FOX FOX Factory, Inc. Ph 831-768-1100
130 Hangar Way, Watsonville, CA 95076 USA Fax 831-768-9312

TITLE
2025 32 Rhythm 27.5 & 29 80-120,
QR15X110, Grip PTU Remote Cart Assy Complete

SIZE DWG. NO.
C 820-18-562-KIT

PLOT SCALE ~1:1 SHEET 1 OF 1

4

3

2

1

ProE ASSEM