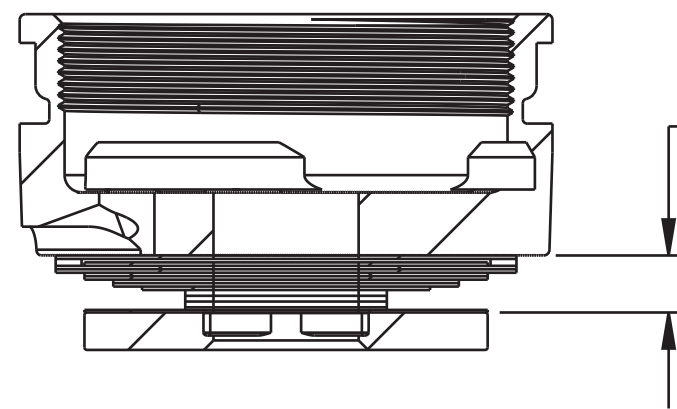


4

3

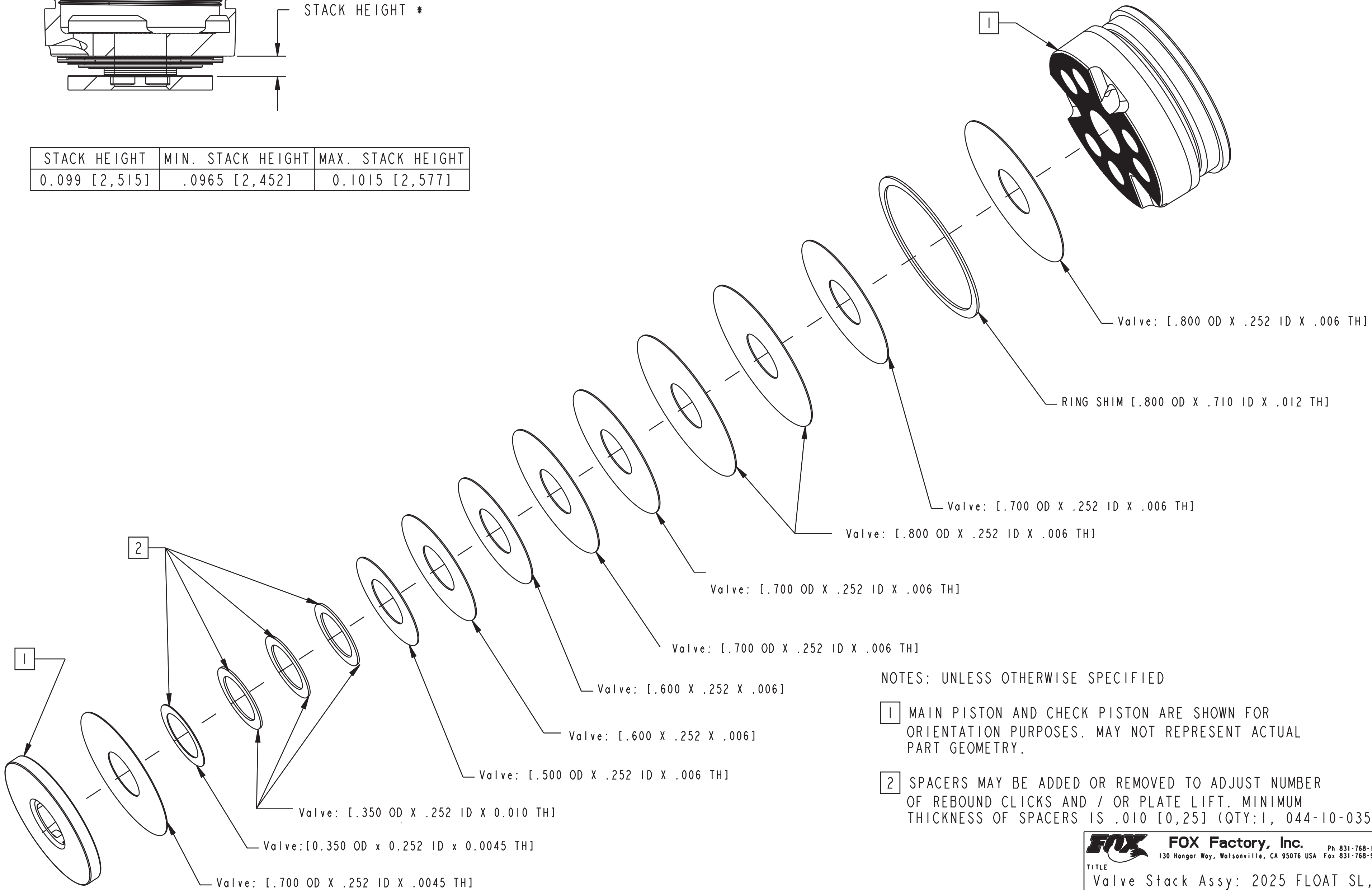
2

1



STACK HEIGHT *

| STACK HEIGHT | MIN. STACK HEIGHT | MAX. STACK HEIGHT |
|---------------|-------------------|-------------------|
| 0.099 [2,515] | .0965 [2,452] | 0.1015 [2,577] |



NOTES: UNLESS OTHERWISE SPECIFIED

- [1] MAIN PISTON AND CHECK PISTON ARE SHOWN FOR ORIENTATION PURPOSES. MAY NOT REPRESENT ACTUAL PART GEOMETRY.
- [2] SPACERS MAY BE ADDED OR REMOVED TO ADJUST NUMBER OF REBOUND CLICKS AND / OR PLATE LIFT. MINIMUM THICKNESS OF SPACERS IS .010 [0,25] (QTY:1, 044-10-035)

PROPRIETARY - THIS DOCUMENT CONTAINS CONFIDENTIAL, PROPRIETARY INFORMATION THAT IS FOX PROPERTY. DO NOT DISCLOSE TO OR DUPLICATE FOR OTHERS EXCEPT AS AUTHORIZED BY FOX.

FOX FOX Factory, Inc. Ph 831-768-1100
 130 Hangar Way, Watsonville, CA 95076 USA Fax 831-768-9312

TITLE
 Valve Stack Assy: 2025 FLOAT SL, Compression Extra Firm, CXF

SIZE DWG. NO. **805-05-805-KIT**

PLOT SCALE 3:1 SHEET 1 OF 1

4

3

2

ProE ASSEM