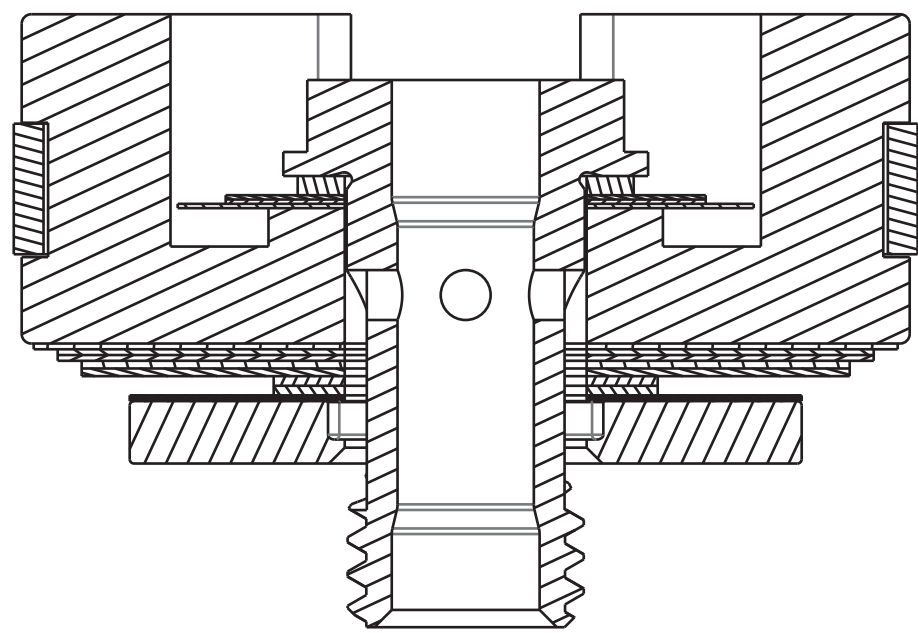
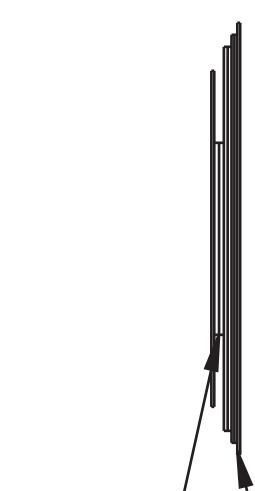
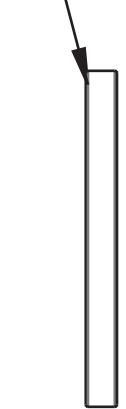


— PROPRIETARY —  
 THIS DOCUMENT CONTAINS CONFIDENTIAL, PROPRIETARY INFORMATION  
 THAT IS FOX PROPERTY. DO NOT DISCLOSE TO OR DUPLICATE  
 FOR OTHERS EXCEPT AS AUTHORIZED BY FOX.

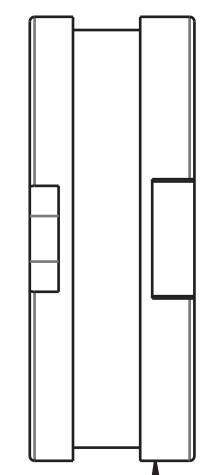


Piston: Check, Float MY13 [.740 OD X .252 ID X .110 TH]

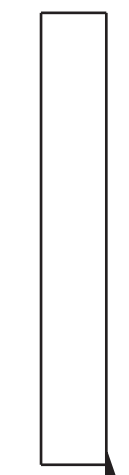
Damp Adj Part: Piston Bolt, 2023 Chiron, [.571 TLG X .141, .154 ID]



2 Compression Valve Stack Assy



Piston: Damping RD CD Adj, 2023 Chiron .940 Bore



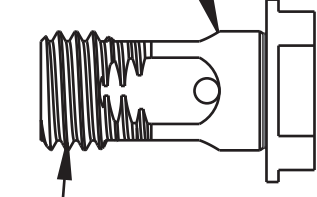
Bearing: External [0.136 W X 0.942 OD X 0.031 TH, Ø 0.940 Bore] Turcon, Blue, Ring



Rebound Valve Stack Assy



TORQUE:  
 60±5 IN.LB.  
 CUSTOM SOCKET 399-96-093



NOTES: UNLESS OTHERWISE SPECIFIED

1. SHOCK SHALL HAVE 12-15 REBOUND CLICKS

2 SPACERS MAY BE REMOVED TO ADJUST NUMBER OF REBOUND CLICKS

3. REFER TO INDIVIDUAL COMPRESSION OR REBOUND VALVE STACK ASSEMBLY DRAWING FOR SPACER DETAIL AND TOTAL STACK HEIGHT MEASUREMENT.

<b>FOX Factory, Inc.</b> <small>130 Hangar Way, Watsonville, CA 95076 USA, Ph 831-768-1100, Fax 831-768-9312</small>	
<b>Valving Assy: 2023 Chiron,          W/O Lock-Out</b>	
SIZE C	PART NO. <b>807-06-413-KIT</b>
PLOT SCALE 2.5:1	SHEET 1 OF 1