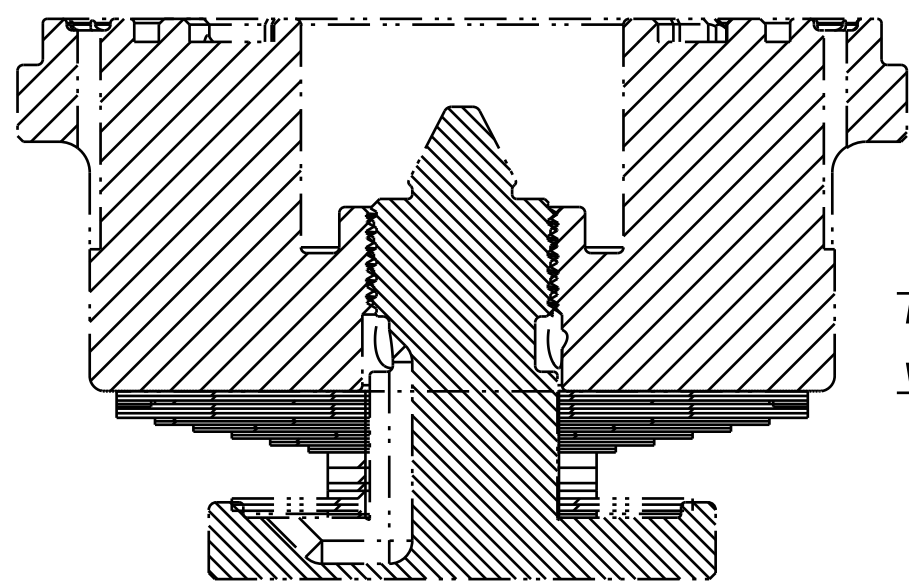


4

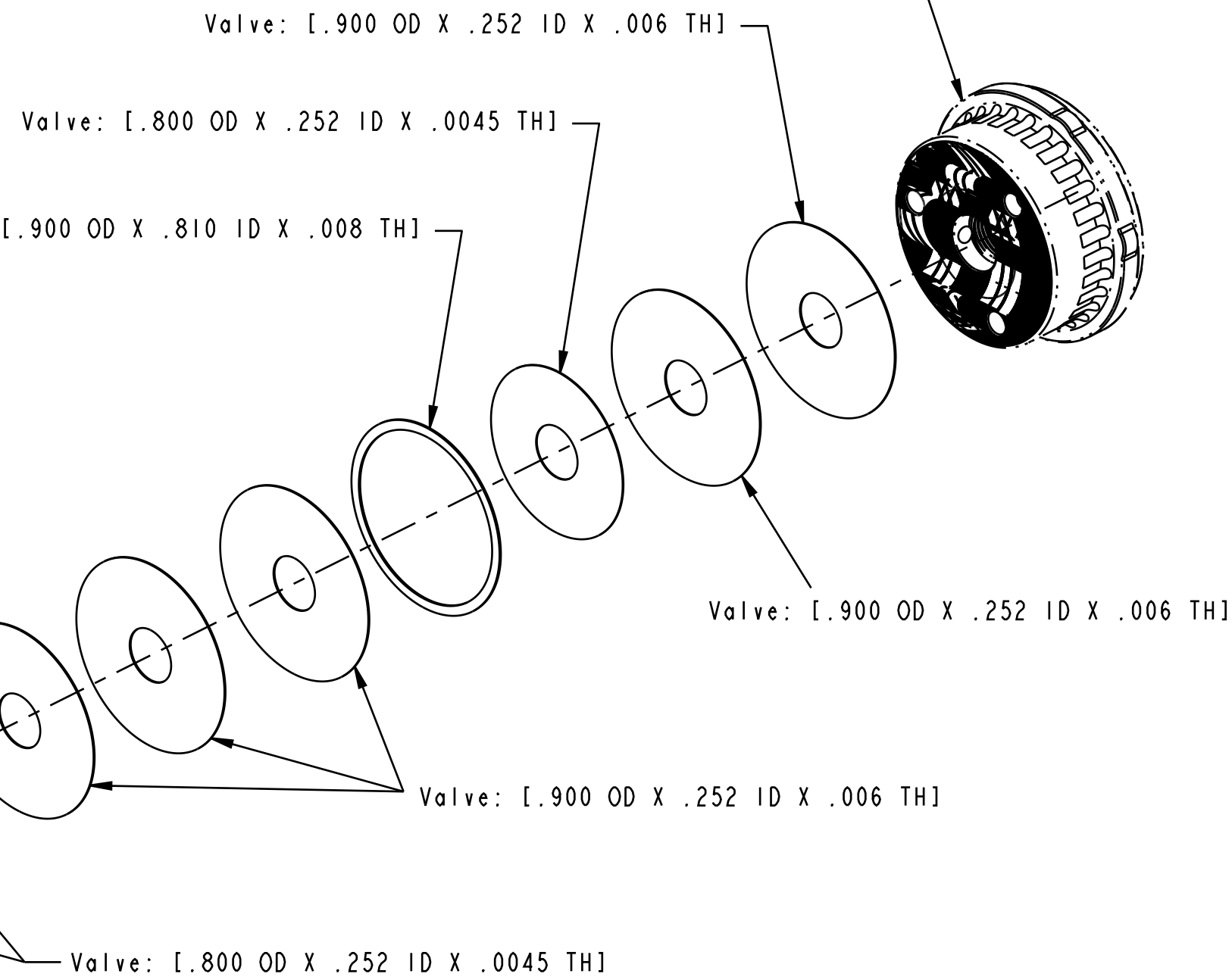
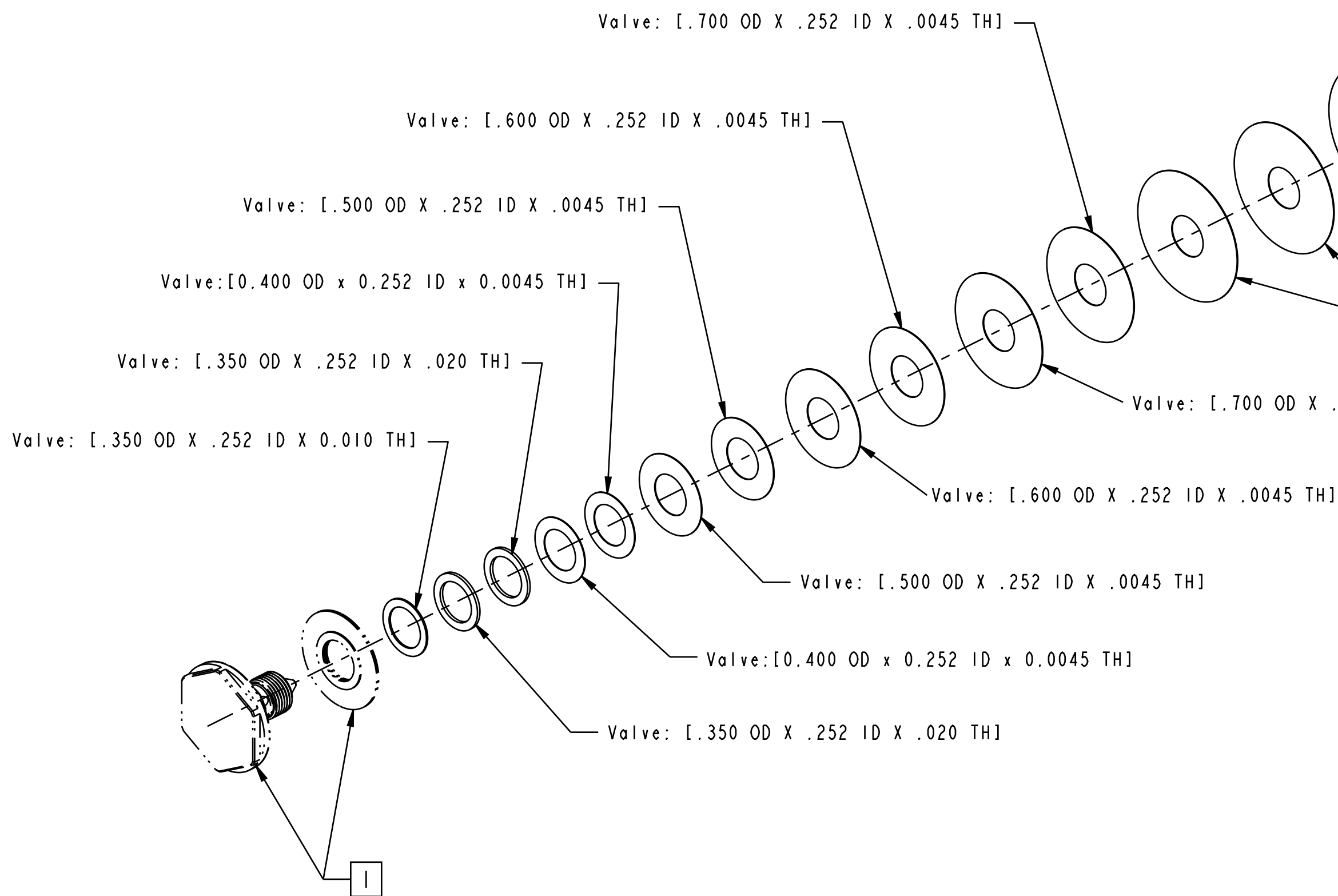
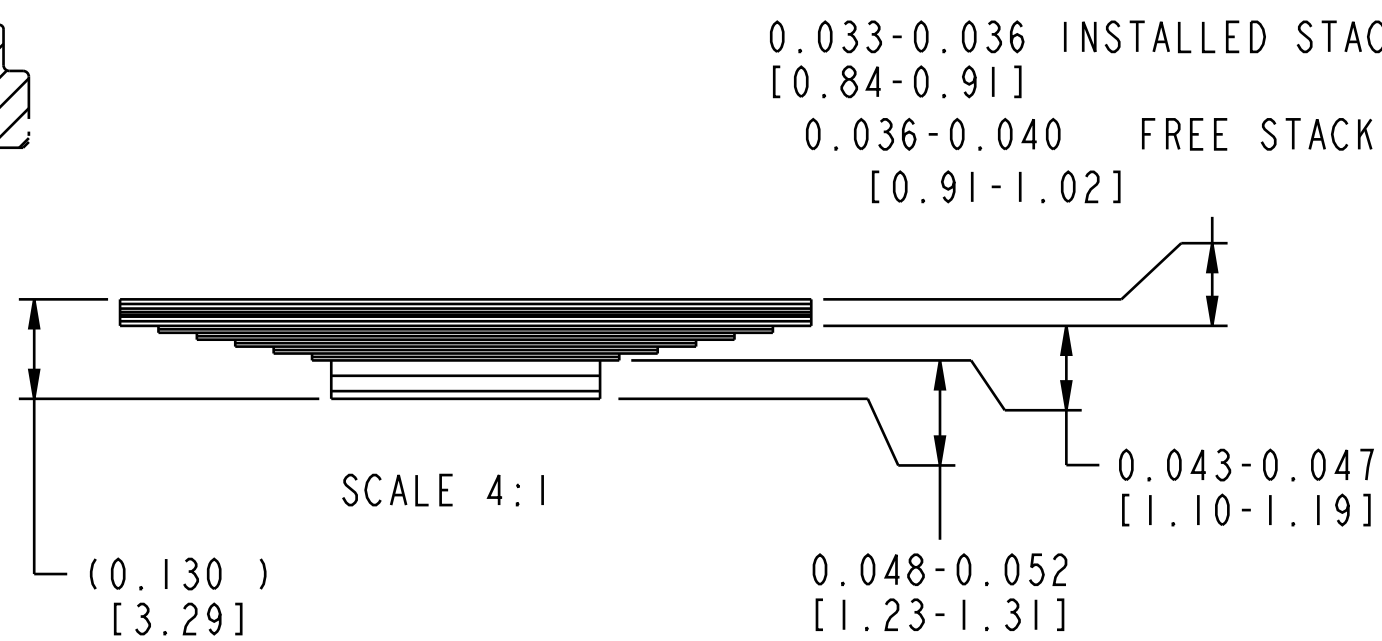
3

2

1



SECTION A-A
SCALE 4:1



NOTES: UNLESS OTHERWISE SPECIFIED

- [1] BASE VALVE, BOLT AND LEVER MODE VALVE STACK ASSY SHOWN FOR REFERENCE PURPOSES.
- [2] FREE STATE REQUIRES MEASUREMENT WITH MINIMAL FORCE APPLIED FROM THE MEASUREMENT DEVICE. WHEN A RING SHIM IS PRESENT, THE MEASUREMENT DEVICE MUST SPAN BOTH SIDES OF THE RING SHIM.
- [3] INSTALLED STATE REQUIRES COMPRESSING THE VALVE STACK TO SOLID HEIGHT USING COMPRESSION INTERFACES THAT ARE NO LARGER IN DIAMETER THAN THE MINIMUM VALVE DIAMETER.

PROPRIETARY - THIS DOCUMENT CONTAINS CONFIDENTIAL, PROPRIETARY INFORMATION THAT IS FOX PROPERTY. DO NOT DISCLOSE TO OR DUPLICATE FOR OTHERS EXCEPT AS AUTHORIZED BY FOX.

FOX FOX Factory, Inc. Ph 831-768-1100
130 Hangar Way, Watsonville, CA 95076 USA Fax 831-768-9312

TITLE
Valve Stack Assy: 2025 FLOAT X & DHX, B40, Base Valve Compression, Flat Piston

SIZE DWG. NO. **805-05-239-KIT**

PLOT SCALE 1.6:1 SHEET 1 OF 1

4

3

2

1