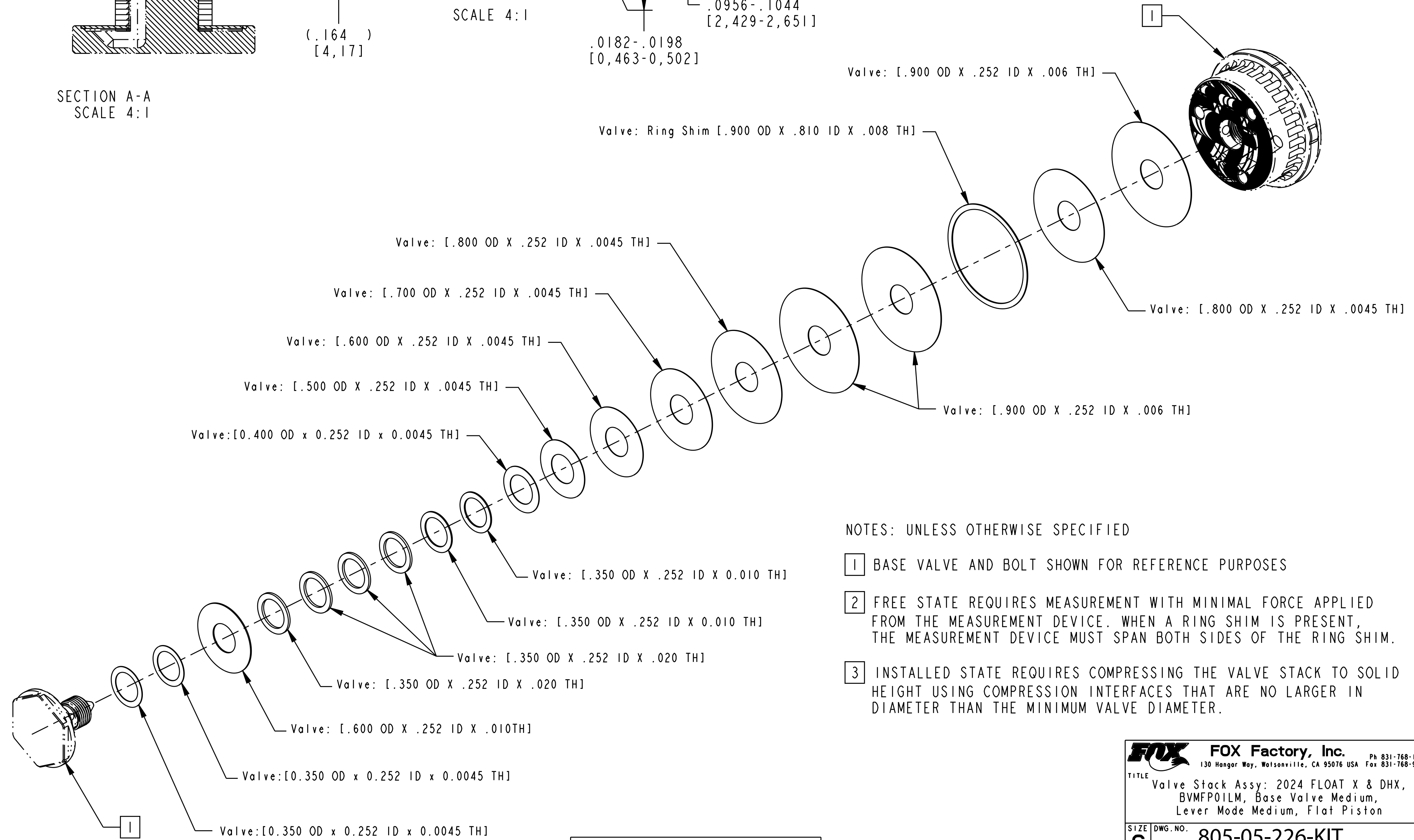
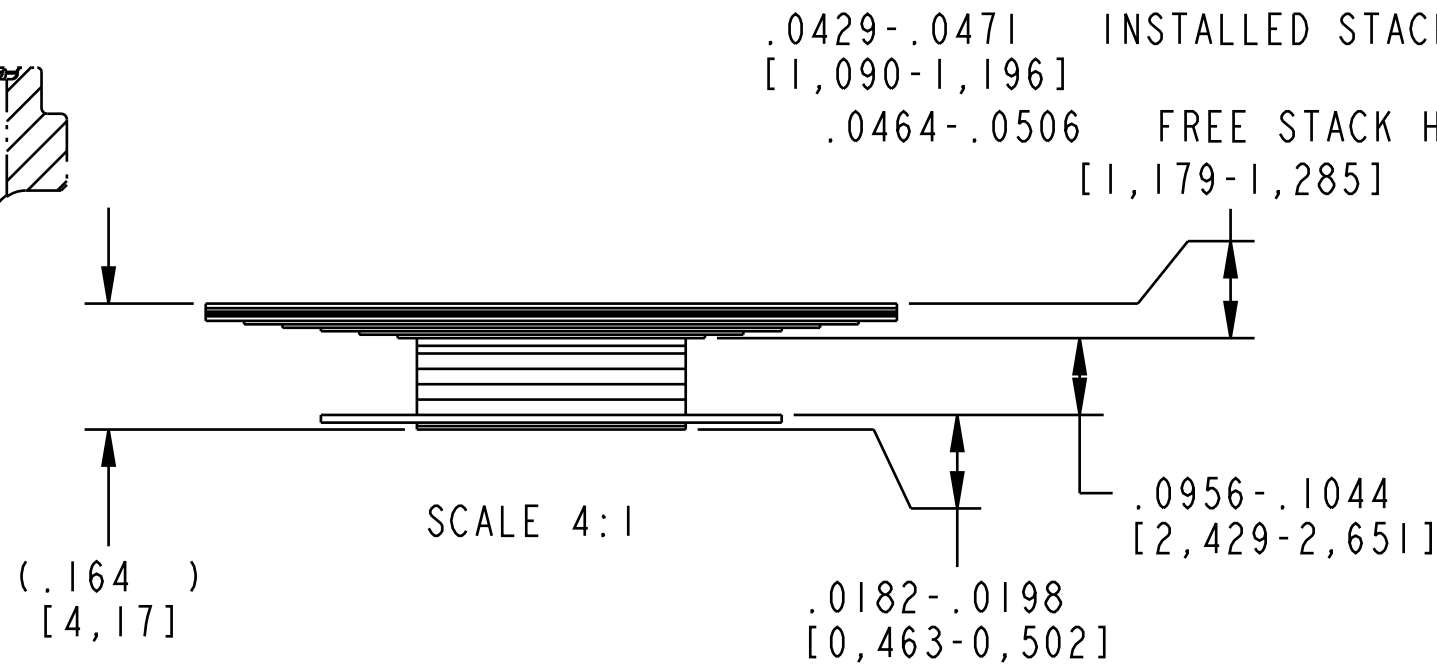
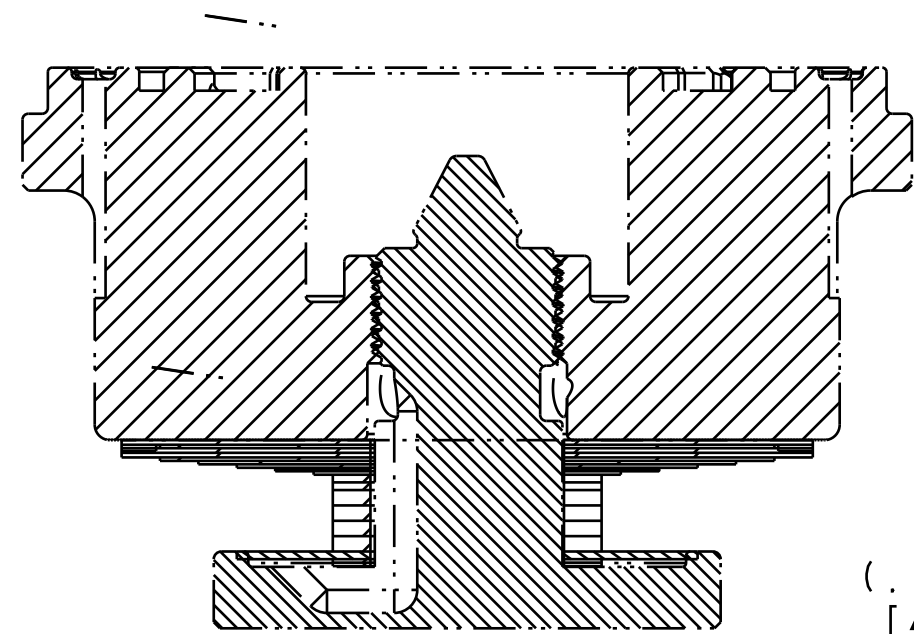


4

3

2

1



- NOTES: UNLESS OTHERWISE SPECIFIED
- [1] BASE VALVE AND BOLT SHOWN FOR REFERENCE PURPOSES
 - [2] FREE STATE REQUIRES MEASUREMENT WITH MINIMAL FORCE APPLIED FROM THE MEASUREMENT DEVICE. WHEN A RING SHIM IS PRESENT, THE MEASUREMENT DEVICE MUST SPAN BOTH SIDES OF THE RING SHIM.
 - [3] INSTALLED STATE REQUIRES COMPRESSING THE VALVE STACK TO SOLID HEIGHT USING COMPRESSION INTERFACES THAT ARE NO LARGER IN DIAMETER THAN THE MINIMUM VALVE DIAMETER.

PROPRIETARY - THIS DOCUMENT CONTAINS CONFIDENTIAL, PROPRIETARY INFORMATION THAT IS FOX PROPERTY. DO NOT DISCLOSE TO OR DUPLICATE FOR OTHERS EXCEPT AS AUTHORIZED BY FOX.

FOX		FOX Factory, Inc.	Ph 831-768-1100
		130 Hangar Way, Watsonville, CA 95076 USA	Fax 831-768-9312
TITLE Valve Stack Assy: 2024 FLOAT X & DHX, BVMFP01LM, Base Valve Medium, Lever Mode Medium, Flat Piston			
SIZE C	DWG. NO. 805-05-226-KIT		
PLOT SCALE 1.8:1		SHEET 1 OF 1	

4

3

2

1