

4

3

2

1

Fastener Standard (Metric): Screw [M2.5 X 6mm] Socket Head Cap, Steel, Black

TORQUE: 4.0±1.0 in-lb

GREASE: THIN LAYER ULTRAPLEX LT2

Air Valve Parts: Ball [Ø 0.0938] 52100 Grade 25 Steel, Chrome
Spring: Detent [.138 TLG, .087 OD, 48 lb/in]

Pin: Dowel [2mm OD X 6 TLG] Stainless Steel

GREASE: THIN LAYER ULTRAPLEX LT2

820-05-780-KIT
2025 Grip X HSC / LSC Topcap Interface Parts, Marzocchi

Seals: U-Cup, Shore 70A, 2013 Fit-CTD and CTD-ADJ

Damping Adj Part: (T) Knob, HSC, GRIP X

Spring: Detent [.138 TLG, .087 OD, 48 lb/in]

GREASE: THIN LAYER ULTRAPLEX LT2

Air Valve Parts: Ball [Ø 0.0938] 52100 Grade 25 Steel, Chrome

Seals: U-Cup, Shore 70A, 2013 CTD-ADJ, Remote Fit-CTD and Remote O/C-CTD

Damping Adj Part: Knob, LSC, 2025 GRIP X

2025 38 190, GRIP X, LSR / HSC / LSC, Cart Assy

Fastener, Custom: Cover, Nut, Rhythm 36

Seals: O-Ring [15mm ID x 1.5mm CS] Metric, N-70, Static

241-00-022
Fastener, Custom: Nut, Bottom, 011

820-05-377-KIT
2016 FIT4 Bottom Stud Interface Parts 36, 38 and 40

241-01-011

Fastener, Custom: Crush Washer, Plastic, 13mm

TORQUE: 80±5 in-lb

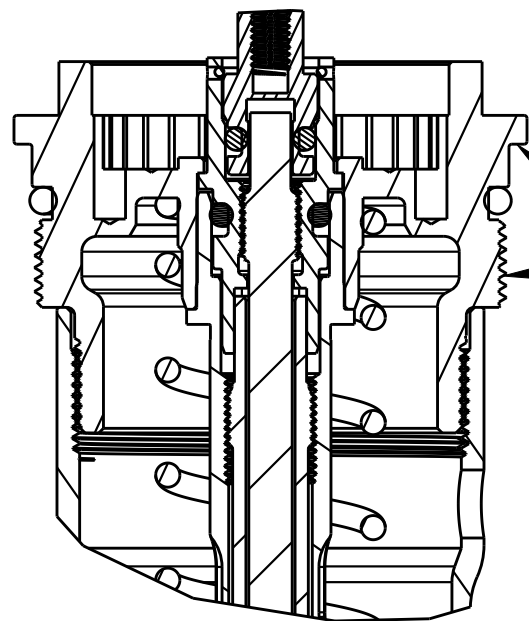
Knob, Rebound, 2011 36_40

Fastener, Standard: Screw [#8-32 X 0.250 TLG] 303 SS, Socket Set Half Dog Point

TORQUE: 8.0±0.5 in-lb

LOCTITE: BLUE 243 ONE DROP

IMPORTANT: TOPCAP TO BE CLEAN



FOX FOX Factory, Inc. Ph 831-768-1100
130 Hangar Way, Watsonville, CA 95076 USA Fax 831-768-9312

TITLE
2025 38 190, GRIP X LSR / HSC / LSC
Cart Assy Complete, CFBV, CM, RF, Marzocchi

SIZE DWG. NO. **820-18-521-KIT**

PLOT SCALE 1:1.3 SHEET 1 OF 2

- PROPRIETARY -
THIS DOCUMENT CONTAINS CONFIDENTIAL, PROPRIETARY INFORMATION
THAT IS FOX PROPERTY. DO NOT DISCLOSE TO OR DUPLICATE
FOR OTHERS EXCEPT AS AUTHORIZED BY FOX.

4

3

2

ProE ASSEM