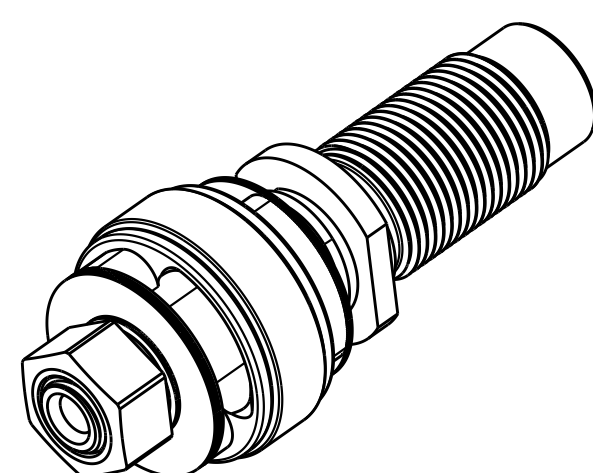


4

3

2

1



Seals: O-Ring [5.0MM ID x 1.0MM CS] Metric, N-70, Static

GREASE:  
THIN LAYER  
OF SLICK HONEY

IMPORTANT:  
ORIENT SPRING SO CLOSED  
END FACES SHAFT STUD

Damping Adjust Part: 2025 Piston Stud, GRIP SL

Bearing: External [1.116 W x .473 OD x .036 TH]

Spring, Lockout Check, 2020 SuperStrut

Piston, Damping, Main, 2025 GRIP SL, CNC, 12.0 Bore

820-03-712-KIT  
Valve Stack Assy: 2025 GRIP SL, Mid Valve, CM

IMPORTANT:  
NOTE PISTON  
ORIENTATION

IMPORTANT:  
VALVES ARE NOT PINCHED  
DURING ASSEMBLY

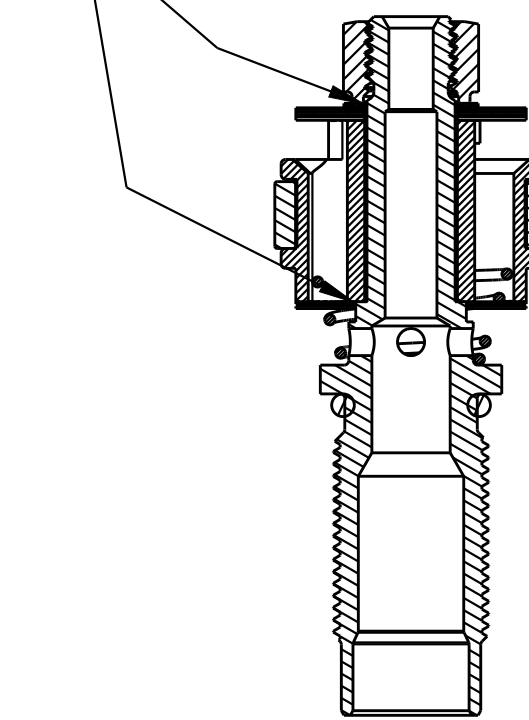
TORQUE:  
9±1 IN LBS

IMPORTANT:  
NOTE PISTON  
ORIENTATION

820-03-710-KIT  
2025 GRIP SL Rebound Valving, RF

Fastener, Custom (Metric) Nut M4 X .5, 2025 GRIP SL

LOCTITE:  
RED 263, 1 DROP



**FOX** FOX Factory, Inc. Ph 831-768-1100  
130 Hangar Way, Watsonville, CA 95076 USA Fax 831-768-9312

TITLE  
**2025 GRIP SL,  
Rebound Piston Assy, 8mm Shaft**

SIZE DWG. NO. **820-03-714-KIT**

PLOT SCALE 3:1 SHEET 1 OF 1

- PROPRIETARY -  
THIS DOCUMENT CONTAINS CONFIDENTIAL, PROPRIETARY INFORMATION  
THAT IS FOX PROPERTY. DO NOT DISCLOSE TO OR DUPLICATE  
FOR OTHERS EXCEPT AS AUTHORIZED BY FOX.

4

3

2

1

ProE ASSEM