

4

3

2

1

Fastener Standard (Metric): SHCS [M2.5 x 0.45 x 10mm], Black Zinc

TORQUE: 4.0±1.0 in-lb

GREASE: THIN LAYER ULTRAPLEX LT2

REMOTE HOUSING

2025 34 140, GRIP X, LSR / HSC / LSC, Remote Cart Assy

820-05-763-KIT
2025 Grip X Push-Lock Remote, Topcap Interface Parts, Blue Ano

Spring: Detent [.138 TLG, .087 OD, 48 lb/in] (QTY:2)

GREASE: THIN LAYER ULTRAPLEX LT2

Air Valve Parts: Ball [Ø 0.0938] 52100 Grade 25 Steel, Chrome (QTY:2)

Seals: U-Cup, Shore 70A, 2025 GRIP X, Remote, LSC

Fastener, Custom: Cover, Nut, Rhythm 36

Seals: O-Ring [15mm ID x 1.5mm CS] Metric, N-70, Static

Damping Adj Part: Knob, LSC, 2025 GRIP X

Fastener, Custom: Nut, Bottom, 011

2016 FIT4 Bottom Stud Interface Parts 36, 38 and 40

Fastener, Custom: Crush Washer, Plastic, 13mm

241-00-022

820-05-377-KIT

241-01-011

TORQUE: 110±5 in-lb

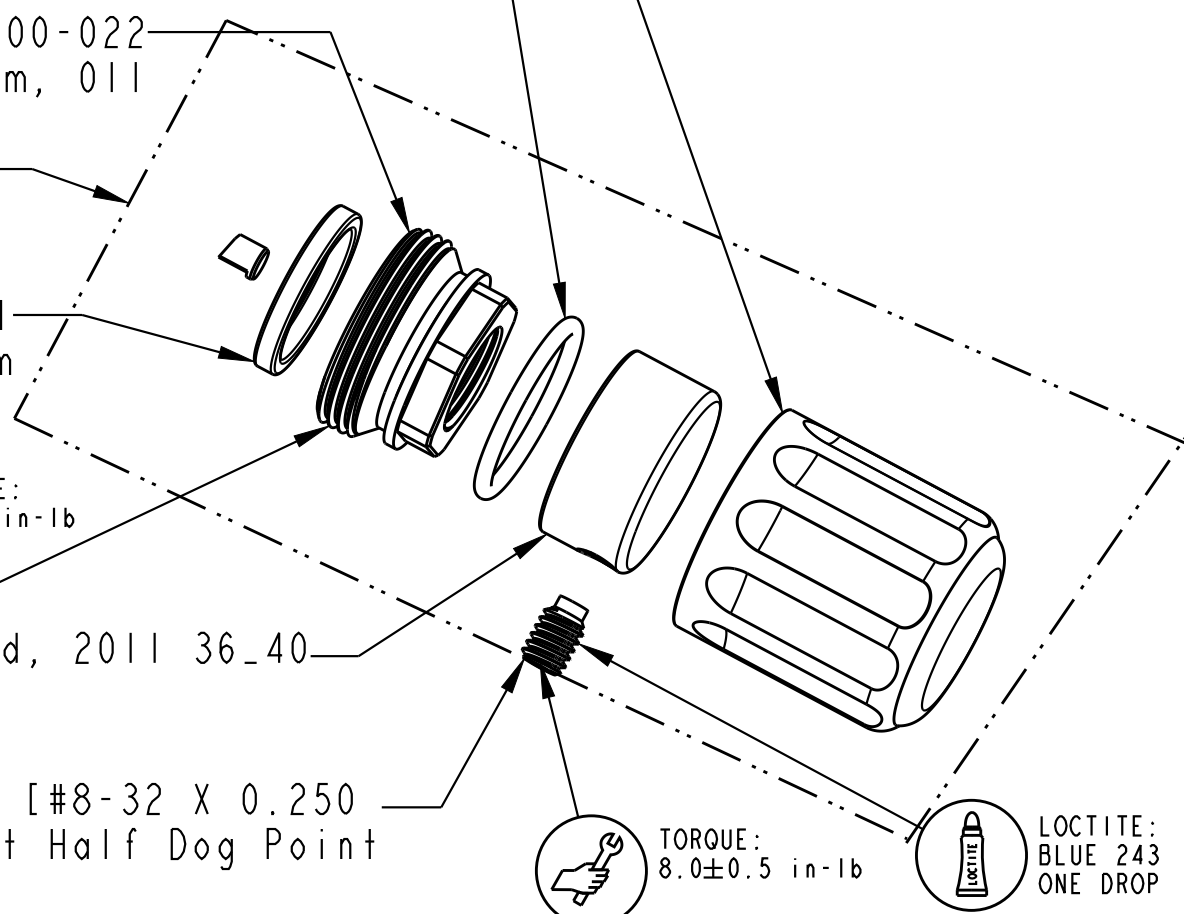
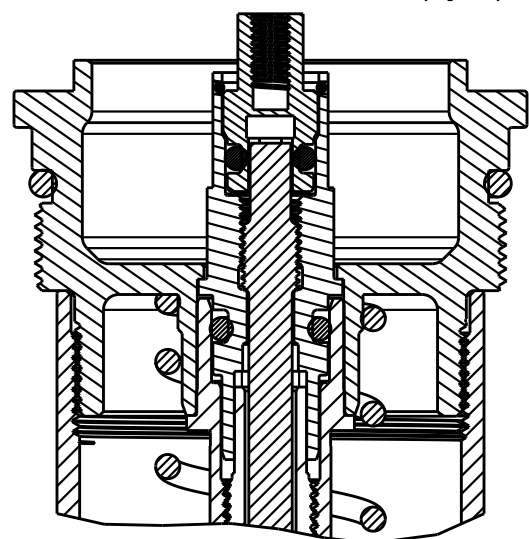
Knob, Rebound, 2011 36_40

Fastener, Standard: Screw [#8-32 X 0.250 TLG] 303 SS, Socket Set Half Dog Point

TORQUE: 8.0±0.5 in-lb

LOCTITE: BLUE 243 ONE DROP

IMPORTANT: TOPCAP TO BE CLEAN



- PROPRIETARY -
THIS DOCUMENT CONTAINS CONFIDENTIAL, PROPRIETARY INFORMATION
THAT IS FOX PROPERTY. DO NOT DISCLOSE TO OR DUPLICATE
FOR OTHERS EXCEPT AS AUTHORIZED BY FOX.

FOX FOX Factory, Inc. Ph 831-768-1100
130 Hangar Way, Watsonville, CA 95076 USA Fax 831-768-9312

TITLE
2025 34 140, GRIP X LSR / HSC / LSC, PTL Remote,
Cart Assy Complete, CFBV, CM, RF, Blue Ano

SIZE DWG. NO. **820-18-530-KIT**

PLOT SCALE 1:1.3 SHEET 1 OF 2

ProE ASSEM

4

3

2

1