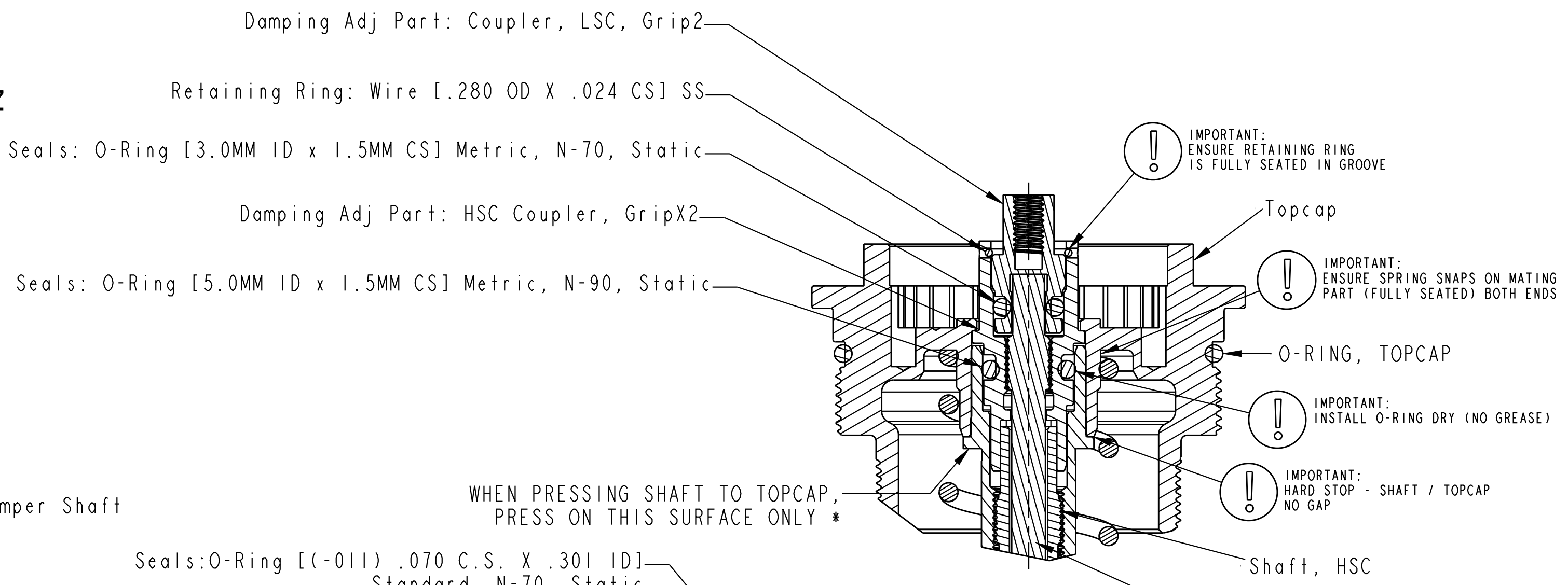
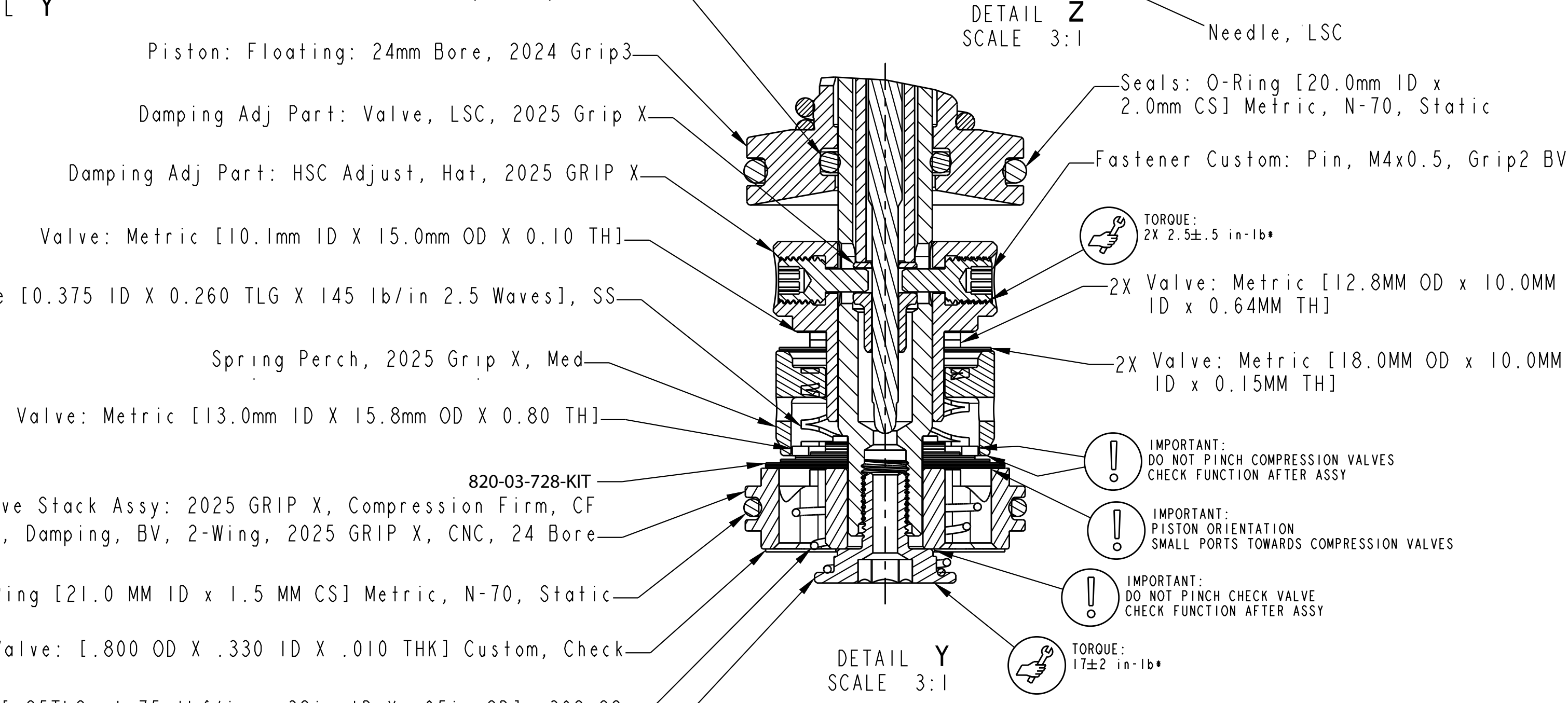


SECTION A-A



DETAIL Z
SCALE 3:1



DETAIL Y
SCALE 3:1

- PROPRIETARY -
THIS DOCUMENT CONTAINS CONFIDENTIAL, PROPRIETARY INFORMATION
THAT IS FOX PROPERTY. DO NOT DISCLOSE TO OR DUPLICATE
FOR OTHERS EXCEPT AS AUTHORIZED BY FOX.

FOX FOX Factory, Inc. Ph 831-768-1100
130 Hangar Way, Watsonville, CA 95076 USA Fax 831-768-9312

TITLE
2025 34 140, GRIP X, Topcap Assy

SIZE DWG. NO. **820-05-749-KIT**

PLOT SCALE 1.5:1 SHEET 1 OF 3