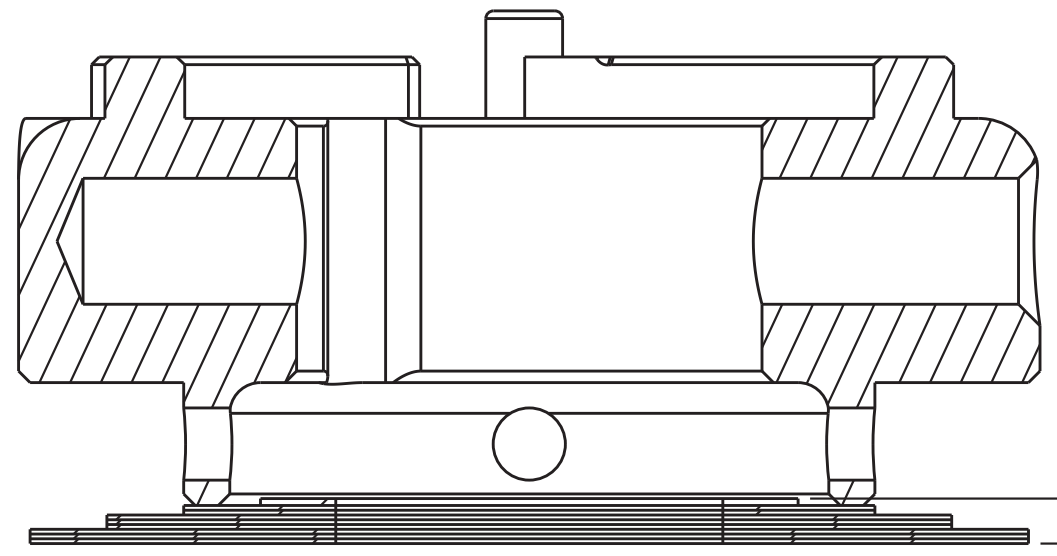


4

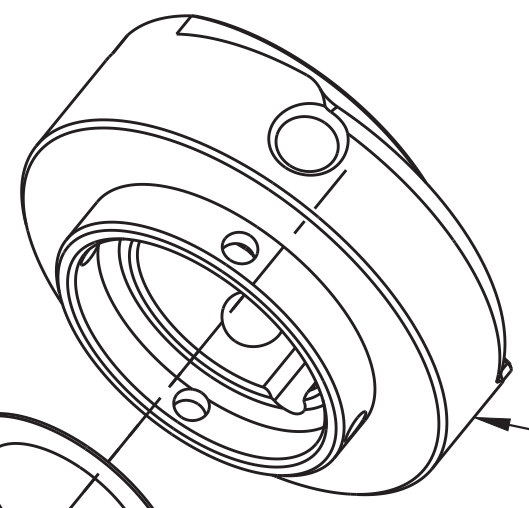
3

2

1



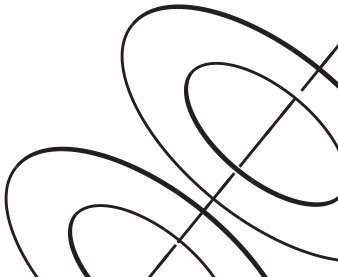
SECTION A-A  
SCALE 8:1



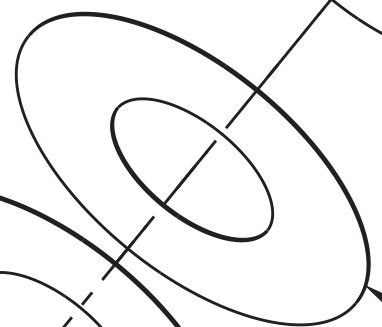
Plate, VVC, Rebound, GripX2, 0.450in Valve



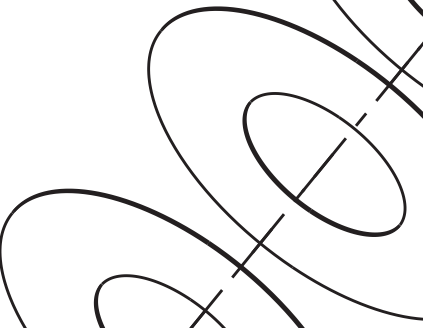
Valve:[0.350 OD x 0.252 ID x 0.0045 TH]



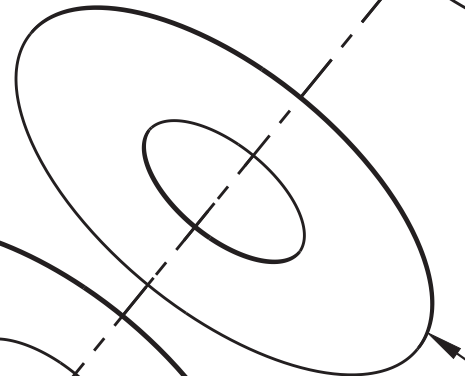
Valve:[0.450 OD x 0.252 ID x 0.0032 TH]



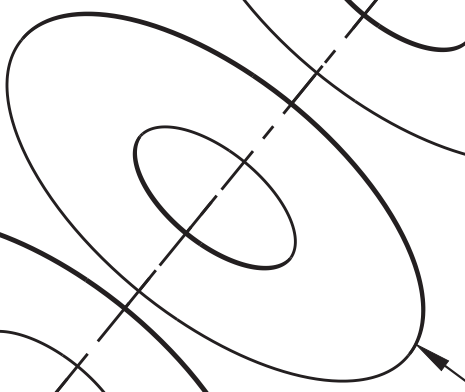
Valve:[0.450 OD x 0.252 ID x 0.0032 TH]



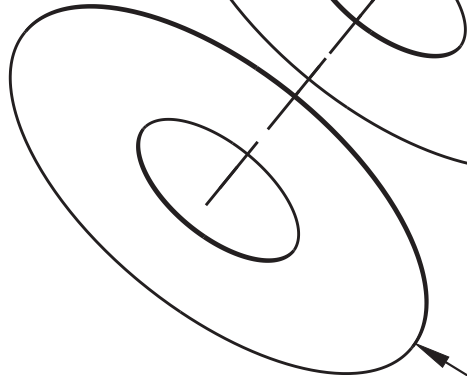
Valve:[0.550 OD x 0.252 ID x 0.0032 TH]



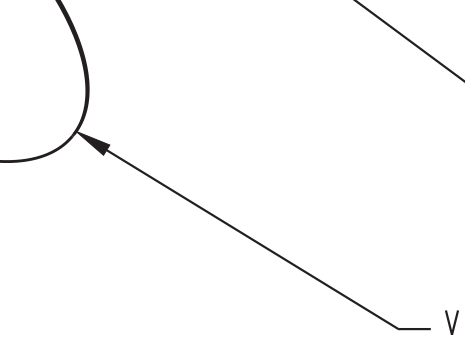
Valve:[0.550 OD x 0.252 ID x 0.0032 TH]



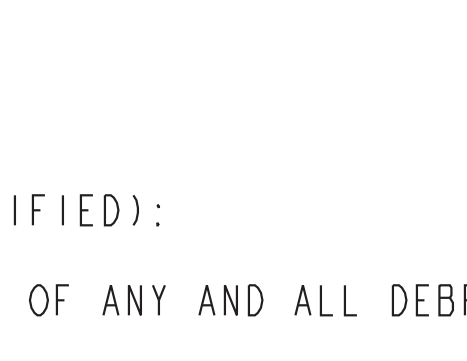
Valve:[0.550 OD x 0.252 ID x 0.0032 TH]



Valve:[0.650 OD x 0.252 ID x 0.0032 TH]



Valve:[0.650 OD x 0.252 ID x 0.0032 TH]



Valve:[0.650 OD x 0.252 ID x 0.0032 TH]

NOTES (UNLESS OTHERWISE SPECIFIED):

1. ASSY TO BE CLEAN AND FREE OF ANY AND ALL DEBRIS

- PROPRIETARY -  
THIS DOCUMENT CONTAINS CONFIDENTIAL, PROPRIETARY INFORMATION  
THAT IS FOX PROPERTY. DO NOT DISCLOSE TO OR DUPLICATE  
FOR OTHERS EXCEPT AS AUTHORIZED BY FOX.

**FOX** FOX Factory, Inc. Ph 831-768-1100  
130 Hangar Way, Watsonville, CA 95076 USA Fax 831-768-9312

TITLE  
Valve Stack Assy: 2025 Grip X2,  
Rebound Valving, LIGHT

SIZE DWG. NO. **C** 820-03-743-KIT

PLOT SCALE 4:1 SHEET 1 OF 1

4

3

2

ProE ASSEM