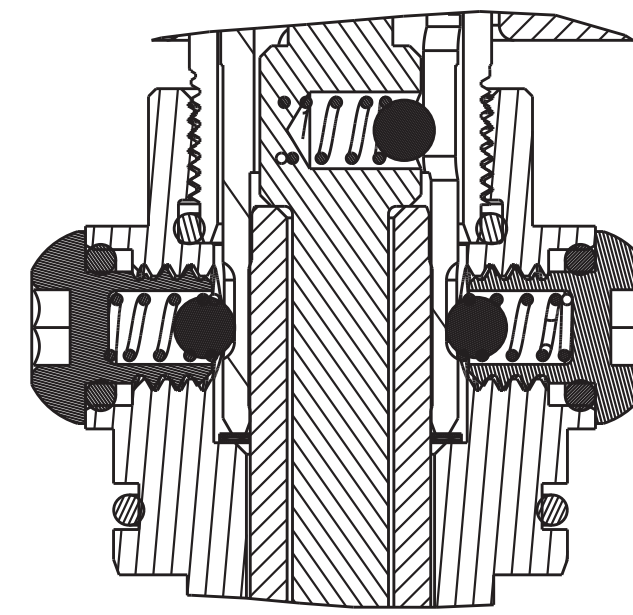


\*ASSEMBLY INSTRUCTIONS:

- 1) TIGHTEN VVC NUT (241-00-067) UNTIL VVC LEAF SPRING (043-XX-650) MAKES CONTACT WITH POSTS ON VVC PLATE (050-00-XXX) AND ROTATION STOPS
- 2) ORIENT VVC LEAF SPRING TO THE APPROX. CENTER OF ITS ADJUSTMENT RANGE
- 3) PLACE .050 [1,27] THICK SHIM AT "X"
- 4) HOLD VVC NUT TO PISTON ASSY AND TORQUE HSR SHAFT TO  $2 \pm .5$  in-lb
- 5) TORQUE M3 SHCS (019-01-095) TO SPECIFIED TORQUE

TORQUE:  
 $40 \pm 5$  IN. LB.



SECTION A-A  
SCALE 4:1

820-03-637-KIT  
2021 34 150, Grip2 HSR, 2-Piece Damper Shaft Assy

Valve: Metric [8mm OD X 6mm ID X 0.10mm THK]

SECTION A-A  
SCALE 4:1

Damper Shaft

TORQUE:  
 $40 \pm 5$  IN. LB.

LOCTITE:  
RED 263  
1-2 Drops

TORQUE:  
 $10 \pm 2$  IN. LB.

Base Stud, GripX2

Seals: O-Ring [13.0MM ID x 1.0MM CS] Metric, N-70, Static

Air Valve Parts: Ball [2.0mm OD], Grade 25 Steel, Chrome Plated (X2)

Spring: Detent [.138 TLG, .087 OD, 48 lb/in] (X2)

Seals: O-Ring [3.5MM ID x 1.0MM CS] Metric, N-70, Static (X2)

Fastener, Custom: HSR Detent Screw, GripX2 (X2)

TORQUE:  
 $10 \pm 2$  IN. LB.

Coupler, LSR, GRIP F-S

Seals: O-Ring [9.0MM ID x 1.0MM CS] Metric, N-70, Static

Air Valve Parts: Ball [2.0mm OD], Grade 25 Steel, Chrome Plated

Spring: Detent [.138 TLG, .087 OD, 48 lb/in]

Needle, LSR

LOCTITE:  
RED 263  
1-2 Drops

IMPORTANT:  
INSTALL ONTO SHAFT  
FROM THIS END ONLY

820-03-699-KIT  
2025 Grip X2, Bearing Housing Assy

820-03-700-KIT  
2025 Grip X2 HSR / LSR  
Rebound Piston Assy 34/36

TORQUE:  
 $10 \pm 2$  IN. LB.

TORQUE:  
 $15 \pm 2$  IN. LB.

Seals: O-Ring [3.0MM ID x 1.5MM CS] Metric, N-70, Static

Damping Adj Part: 2024 Grip3

Seals: O-Ring [4.0mm ID x 2.0mm CS] Metric, N-90, Static

820-03-732-KIT  
2025 Grip X2, Rebound Check Valve Assy

Fastener, Standard (Metric): Screw [M3 X 6mm] SHCS, Patchlock

**FOX** Factory, Inc. Ph 831-768-1100  
130 Hangar Way, Watsonville, CA 95076 USA Fax 831-768-9312

TITLE  
**2025 Grip X2 HSR / LSR  
Damper Shaft Assy, 140**

SIZE DWG. NO. **820-03-735-KIT**

PLOT SCALE | 1.25:1 | SHEET 1 OF 2

PROPRIETARY - PROPRIETARY INFORMATION  
THIS DOCUMENT CONTAINS CONFIDENTIAL, PROPRIETARY INFORMATION  
THAT IS FOR PROPERTY. DO NOT DISCLOSE TO OR DUPLICATE  
FOR OTHERS EXCEPT AS AUTHORIZED BY FOX.