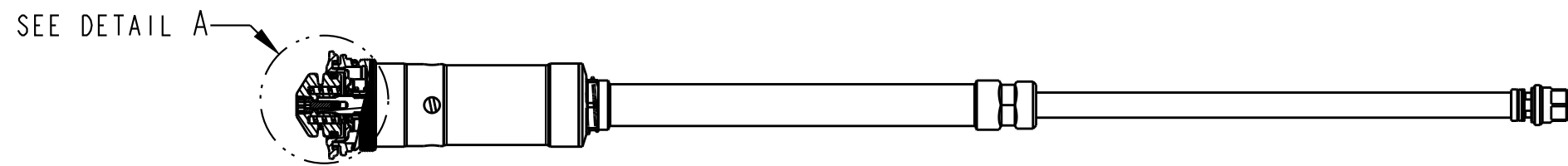


4

3

2

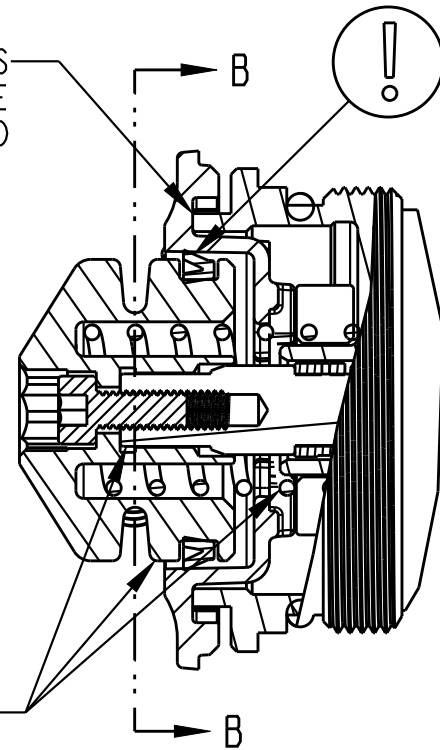
1



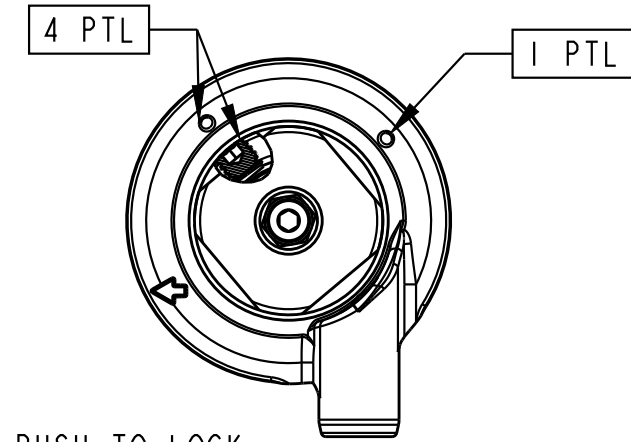
SECTION A-A  
SCALE 0.5:1

ENGAGE 2X FEATURES WITH HOUSING BORE FACING FORWARD

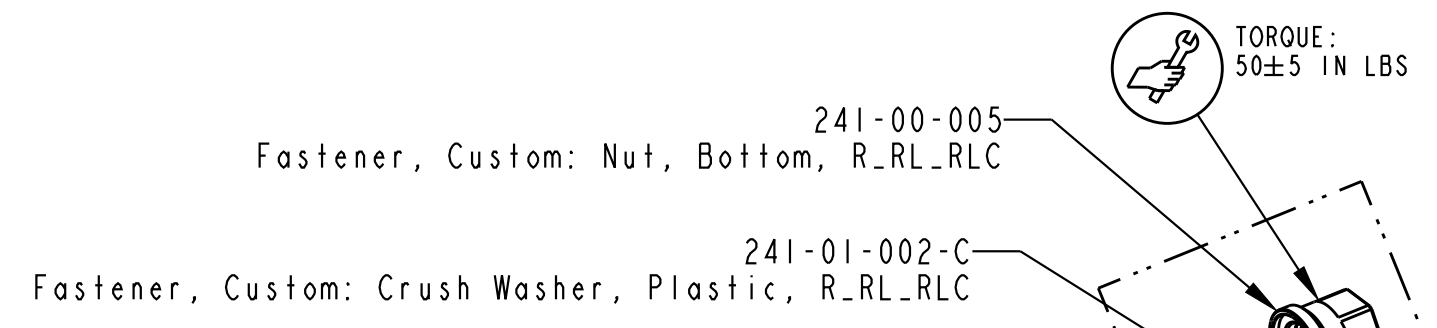
IMPORTANT: NOTE SEAL ORIENTATION



DETAIL A  
SCALE 2:1



PUSH-TO-LOCK  
SECTION B-B  
SCALE 1.250

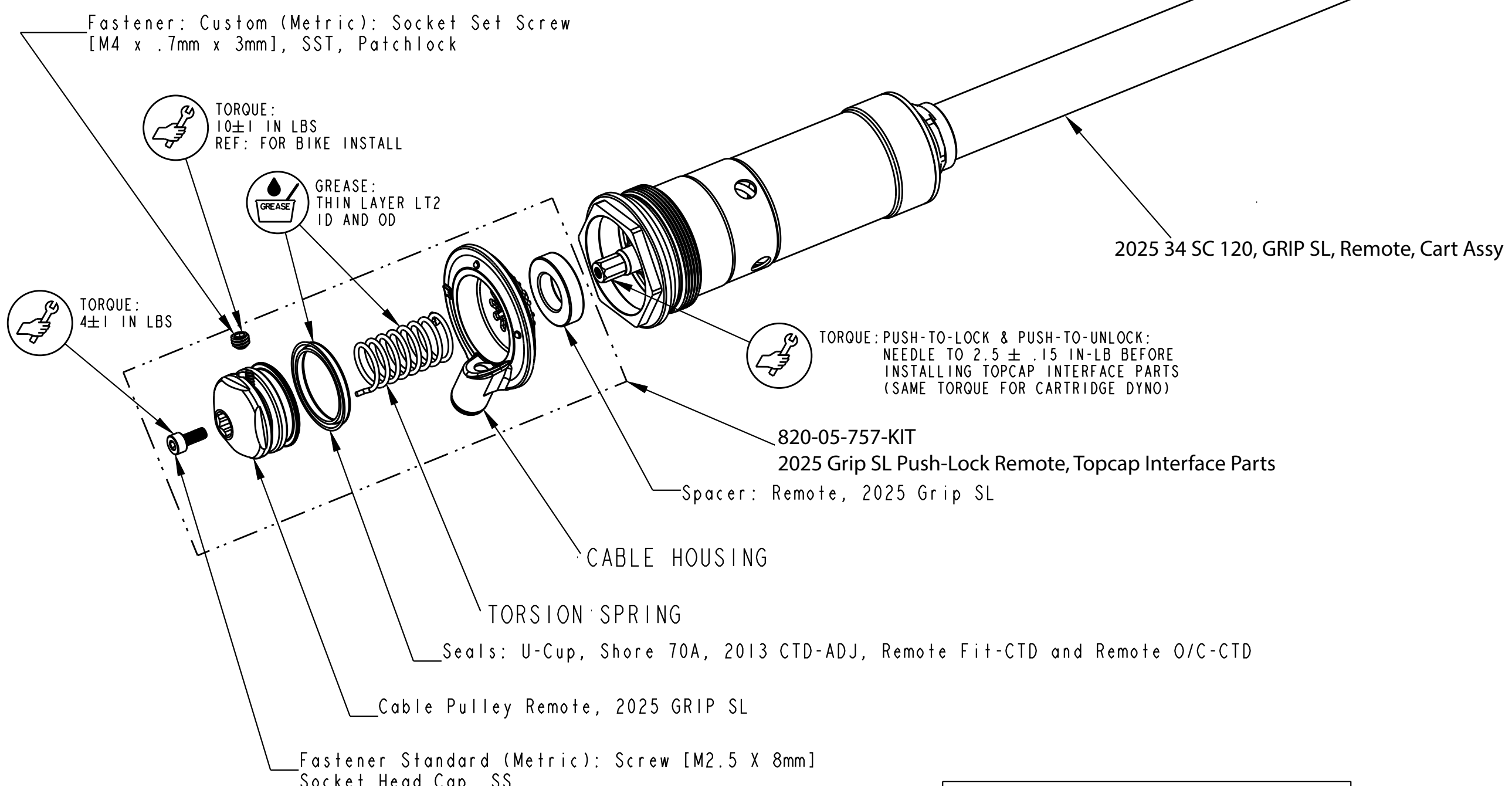


241-00-005  
Fastener, Custom: Nut, Bottom, R\_RL\_RLC

241-01-002-C  
Fastener, Custom: Crush Washer, Plastic, R\_RL\_RLC

TORQUE:  
50±5 IN LBS

820-05-705-KIT  
2022 34SC Bottom Stud Interface Parts, All Dampers



2025 34 SC 120, GRIP SL, Remote, Cart Assy

Fastener: Custom (Metric): Socket Set Screw [M4 x .7mm x 3mm], SST, Patchlock

TORQUE:  
10±1 IN LBS  
REF: FOR BIKE INSTALL

GREASE:  
THIN LAYER LT2  
ID AND OD

TORQUE:  
4±1 IN LBS

TORQUE: PUSH-TO-LOCK & PUSH-TO-UNLOCK:  
NEEDLE TO 2.5 ± .15 IN-LB BEFORE  
INSTALLING TOPCAP INTERFACE PARTS  
(SAME TORQUE FOR CARTRIDGE DYNO)

820-05-757-KIT  
2025 Grip SL Push-Lock Remote, Topcap Interface Parts

Spacer: Remote, 2025 Grip SL

CABLE HOUSING

TORSION SPRING

Seals: U-Cup, Shore 70A, 2013 CTD-ADJ, Remote Fit-CTD and Remote O/C-CTD

Cable Pulley Remote, 2025 GRIP SL

Fastener Standard (Metric): Screw [M2.5 X 8mm]  
Socket Head Cap, SS

- TOPCAP INTERFACE PARTS INSTALL NOTES:**
- PUSH-TO-LOCK (PTL):**
- 1 PTL SUB-ASSEMBLE TOPCAP INTERFACE PARTS WITH PULLEY SET SCREW FACING THE DOT OPPOSITE THE ARROW.
  2. INSTALL 1 PTL SUB-ASSY TO DAMPER WITH ARROW FACING DESIRED DIRECTION FOR CABLE ROUTING. TIGHTEN SCREW 2-3 TURNS (DO NOT RUN DOWN).
  3. ROTATE ENTIRE SUB-ASSY 270° CCW AFTER INSTALLING. CHECK CABLE DIRECTION. TORQUE SCREW WHILE HOLDING PULLEY
  - 4 PTL WHEN LOCKED OUT (ADD 5-6 IN-LB CW TORQUE TO PULLEY), SET SCREW MUST BE ALIGNED TO MARK ±20°.
  5. PULLEY MUST RETURN FREELY AFTER LOCKOUT (FROM FORCE OF TORSION SPRING ALONE).

- PROPRIETARY -  
THIS DOCUMENT CONTAINS CONFIDENTIAL, PROPRIETARY INFORMATION  
THAT IS FOX PROPERTY. DO NOT DISCLOSE TO OR DUPLICATE  
FOR OTHERS EXCEPT AS AUTHORIZED BY FOX.

		<b>FOX Factory, Inc.</b>		Ph 831-768-1100
		130 Hangar Way, Watsonville, CA 95076 USA		Fax 831-768-9312
TITLE	2025 34 SC 120, GRIP SL, Push-Lock Remote Cart Assy Complete			
SIZE DWG. NO.	C   820-18-512-KIT			
PLOT SCALE	1:1	SHEET		1 OF 1