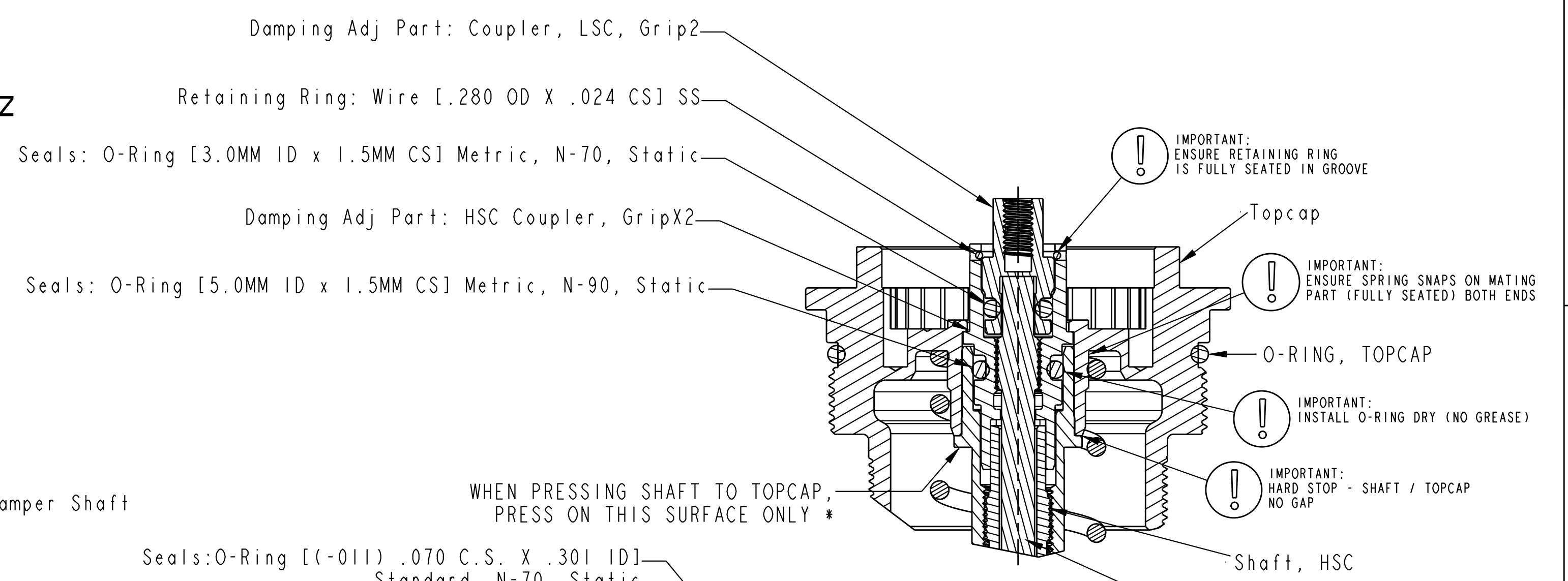
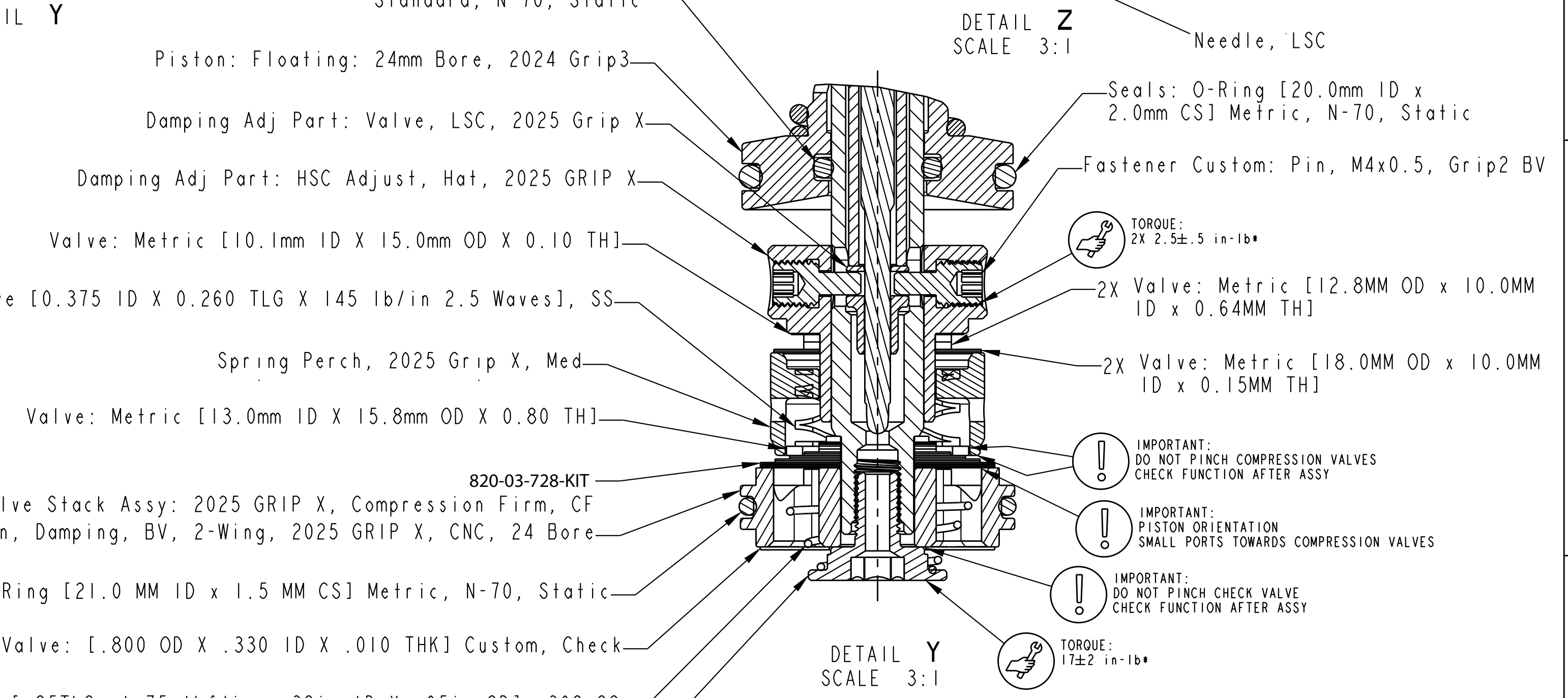


SECTION A-A



DETAIL Z
SCALE 3:1



DETAIL Y
SCALE 3:1

- Damping Adj Part: Coupler, LSC, Grip2
- Retaining Ring: Wire [1.280 OD X .024 CS] SS
- Seals: O-Ring [3.0MM ID x 1.5MM CS] Metric, N-70, Static
- Damping Adj Part: HSC Coupler, GripX2
- Seals: O-Ring [5.0MM ID x 1.5MM CS] Metric, N-90, Static
- Spring, IFP
- Compression Damper Shaft
- Seals: O-Ring [(-011) .070 C.S. X .301 ID] Standard, N-70, Static
- Piston: Floating: 24mm Bore, 2024 Grip3
- Damping Adj Part: Valve, LSC, 2025 Grip X
- Damping Adj Part: HSC Adjust, Hat, 2025 GRIP X
- Valve: Metric [10.1mm ID X 15.0mm OD X 0.10 TH]
- Spring: Wave [0.375 ID X 0.260 TLG X 145 lb/in 2.5 Waves], SS
- Spring Perch, 2025 Grip X, Med
- Valve: Metric [13.0mm ID X 15.8mm OD X 0.80 TH]
- 820-03-728-KIT
- Valve Stack Assy: 2025 GRIP X, Compression Firm, CF
- Piston, Damping, BV, 2-Wing, 2025 GRIP X, CNC, 24 Bore
- Seals: O-Ring [21.0 MM ID x 1.5 MM CS] Metric, N-70, Static
- Valve: [1.800 OD X .330 ID X .010 THK] Custom, Check
- Spring: Conical, LIVE Shock, Check [1.25TLG, 1.75 lbf/in, .32in ID X .65in OD], 302 SS
- Fastener, Custom (Metric): Bolt, Piston, [1.25-48 X 9.4mm TLG], 2024 Grip3

FOX FOX Factory, Inc. Ph 831-768-1100
 130 Hangar Way, Watsonville, CA 95076 USA Fax 831-768-9312

TITLE
2025 36 170, GRIP X, Topcap Assy

SIZE DWG. NO. **820-05-748-KIT**
 PLOT SCALE 1.5:1 SHEET 1 OF 3

PROPRIETARY - THIS DOCUMENT CONTAINS CONFIDENTIAL, PROPRIETARY INFORMATION THAT IS FOX PROPERTY. DO NOT DISCLOSE TO OR DUPLICATE FOR OTHERS EXCEPT AS AUTHORIZED BY FOX.