

4

3

2

1

D

D

C

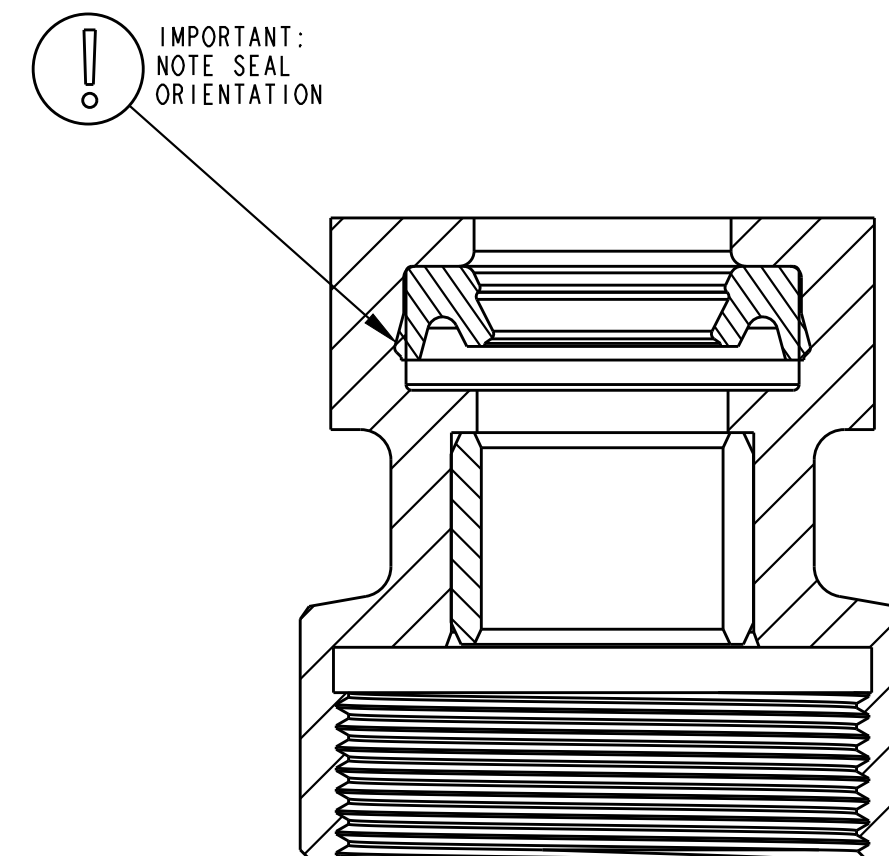
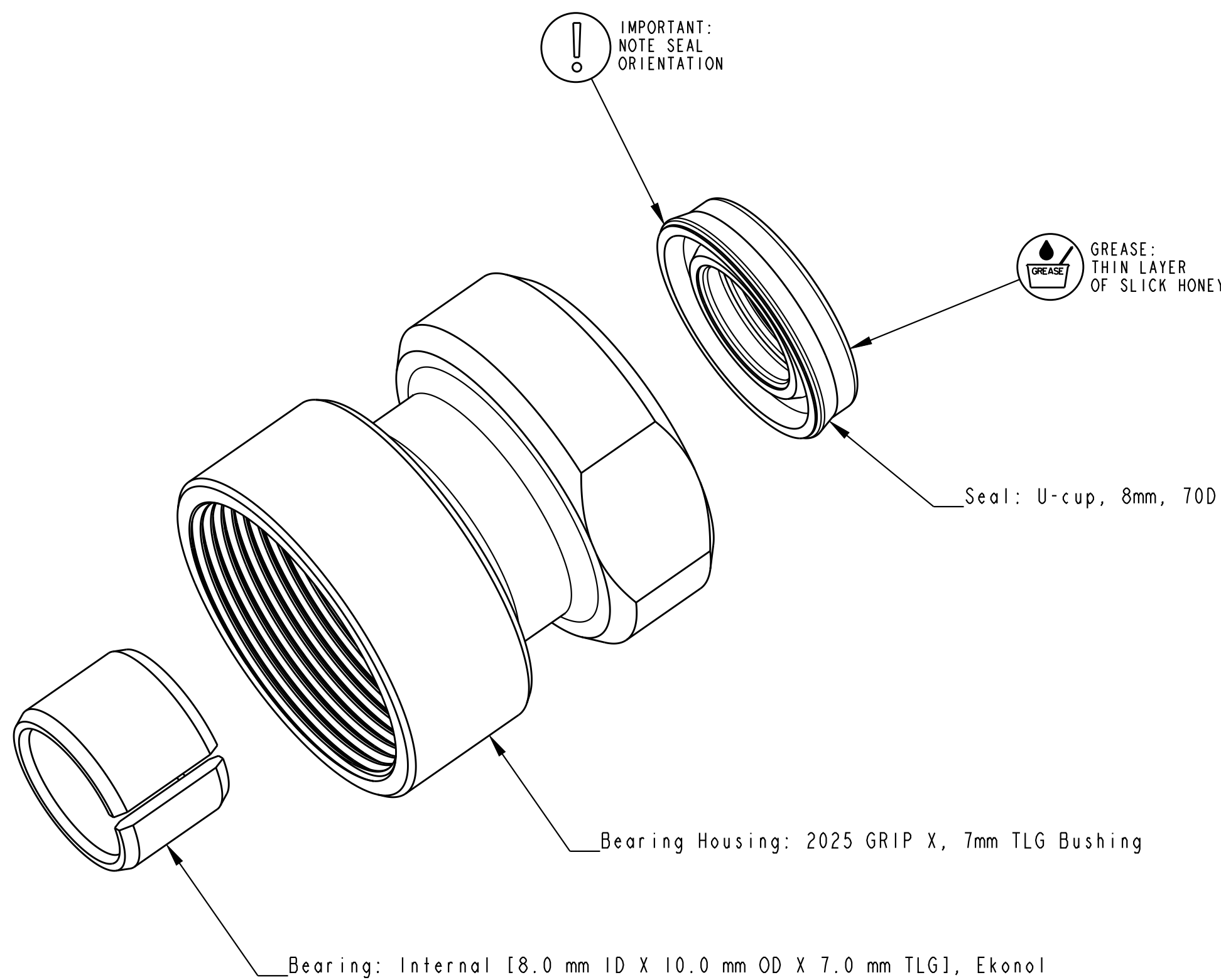
C

B

B

A

A



SECTION A-A

- PROPRIETARY -  
 THIS DOCUMENT CONTAINS CONFIDENTIAL, PROPRIETARY INFORMATION  
 THAT IS FOX PROPERTY. DO NOT DISCLOSE TO OR DUPLICATE  
 FOR OTHERS EXCEPT AS AUTHORIZED BY FOX.

<b>FOX</b>		<b>FOX Factory, Inc.</b>	Ph 831-768-1100
		130 Hangar Way, Watsonville, CA 95076 USA	Fax 831-768-9312
TITLE Assy Dwg: Bearing Housing: 2025 GRIP X			
SIZE	DWG. NO.	820-03-729-KIT	
C			
PLOT SCALE	4:1	SHEET 1 OF 1	

4

3

2

1