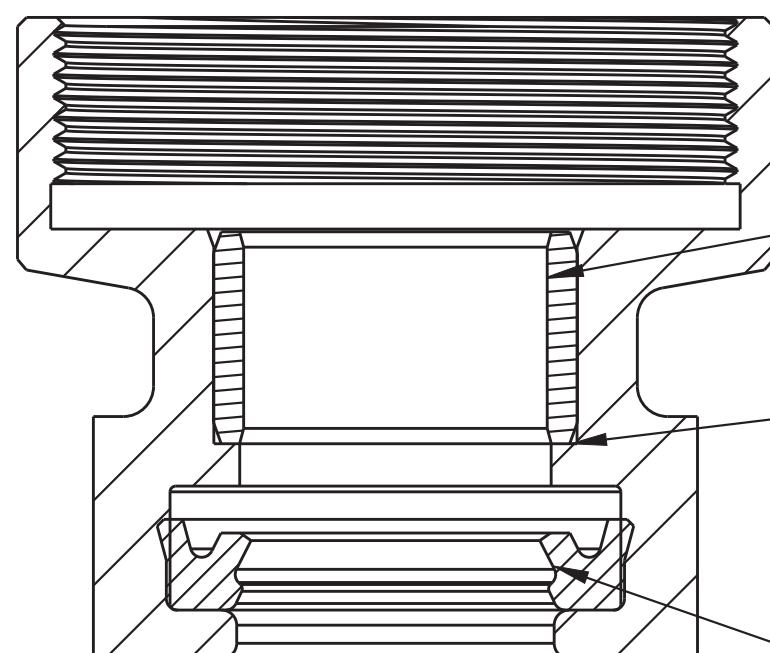


4

3

2

1



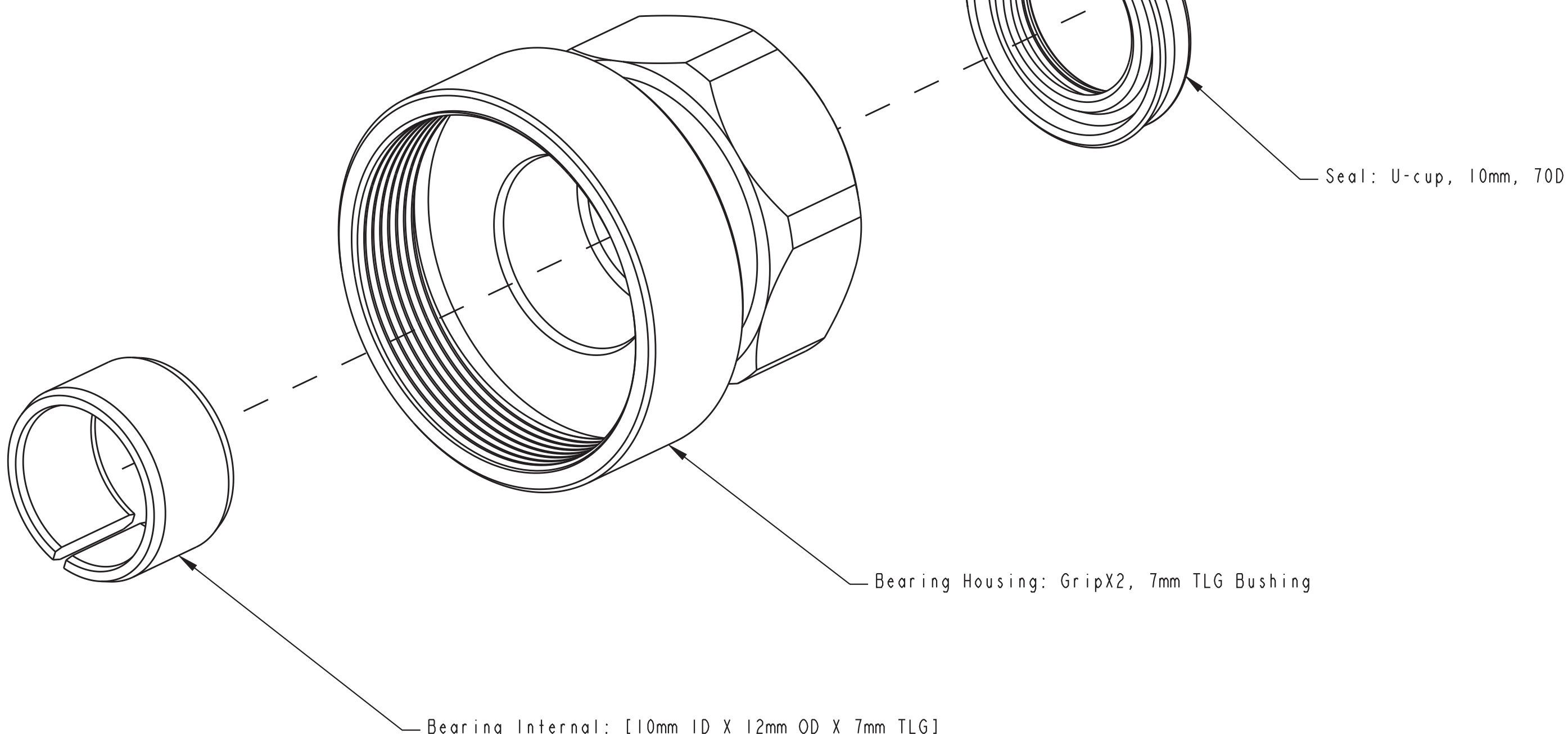
SECTION A-A

! IMPORTANT:
BUSHING ID AFTER INSTALLATION INTO HOUSING IS CRITICAL-
SIZE BUSHING WITH .394 [10,00] SIZING TOOL

! IMPORTANT:
PRESS BUSHING UNTIL STOP ON THIS SURFACE

! IMPORTANT:
ORIENTATION OF SEAL IS CRITICAL-
SEAL LIPS FACE CARTRIDGE

GREASE:
THIN LAYER
OF SLICK HONEY



FOX FOX Factory, Inc. Ph 831-768-1100
130 Hangar Way, Watsonville, CA 95076 USA Fax 831-768-9312

TITLE
2025 Grip X2,
Bearing Housing Assy

SIZE DWG. NO.
C 820-03-699-KIT

PLOT SCALE 4:1 SHEET 1 OF 1

- PROPRIETARY -
THIS DOCUMENT CONTAINS CONFIDENTIAL, PROPRIETARY INFORMATION
THAT IS FOX PROPERTY. DO NOT DISCLOSE TO OR DUPLICATE
FOR OTHERS EXCEPT AS AUTHORIZED BY FOX.

4

3

2

1

ProE ASSEM