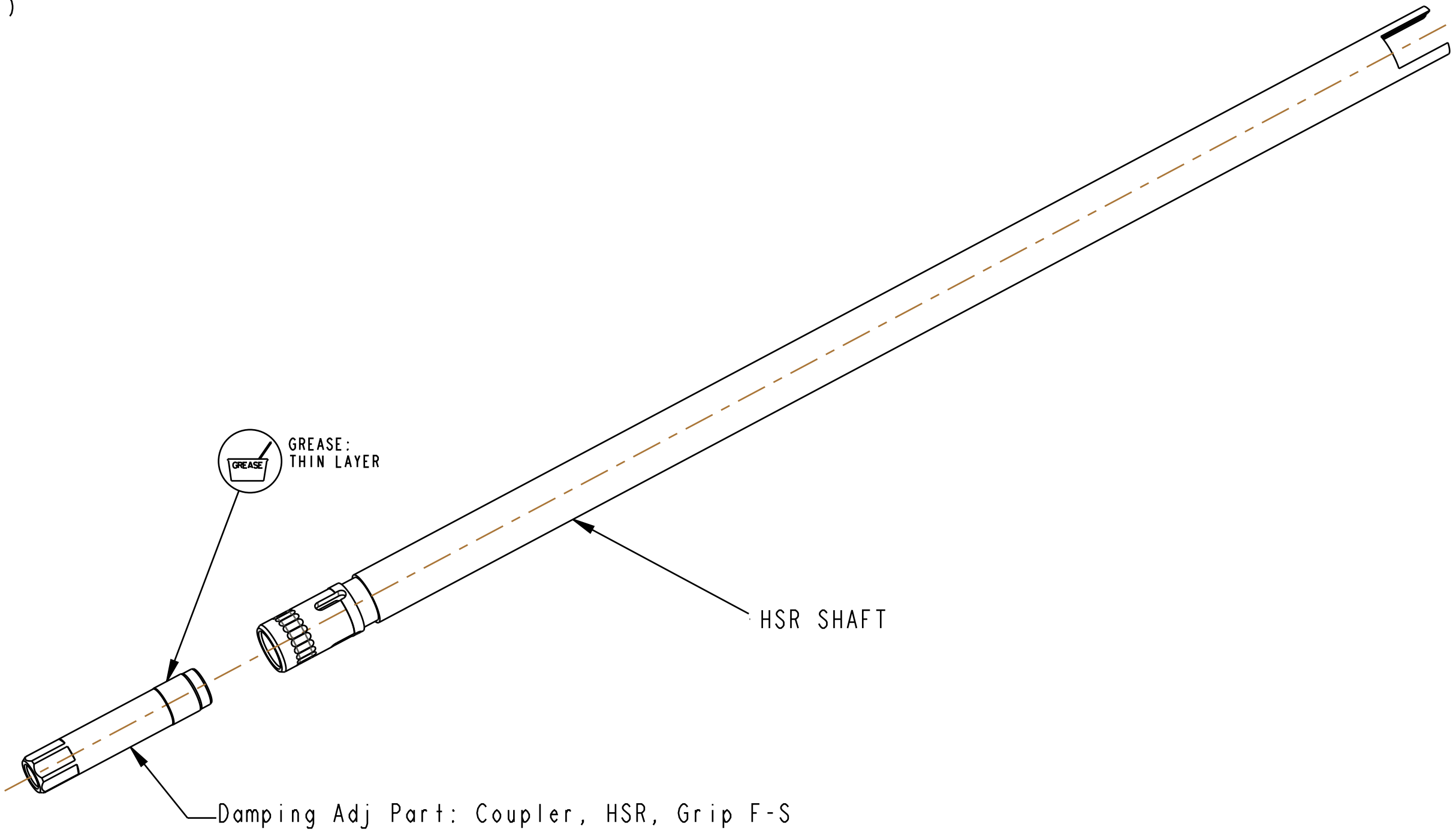
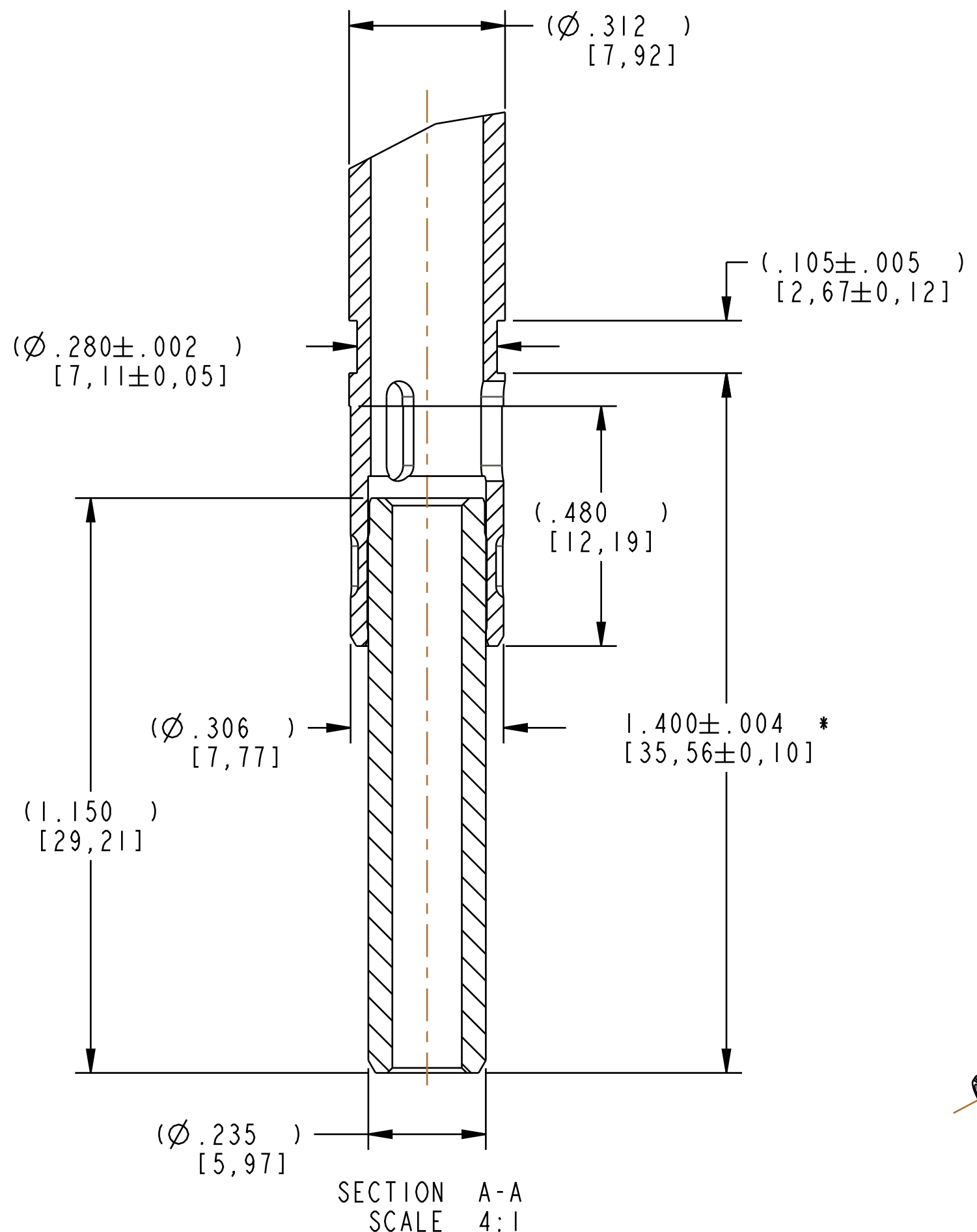


4

3

2

1



PROPRIETARY  
THIS DOCUMENT CONTAINS CONFIDENTIAL, PROPRIETARY INFORMATION  
THAT IS FOX PROPERTY. DO NOT DISCLOSE TO OR DUPLICATE  
FOR OTHERS EXCEPT AS AUTHORIZED BY FOX.

<b>FOX</b> <b>FOX Factory, Inc.</b>		Ph 831-768-1100
130 Hangar Way, Watsonville, CA 95076 USA		Fax 831-768-9312
TITLE <b>2019 36 180, Grip2 HSR, 2-Piece Damper Shaft Assy</b>		
SIZE <b>C</b>	DWG. NO. <b>820-03-573-KIT</b>	
PLOT SCALE 1.5:1		SHEET 1 OF 1