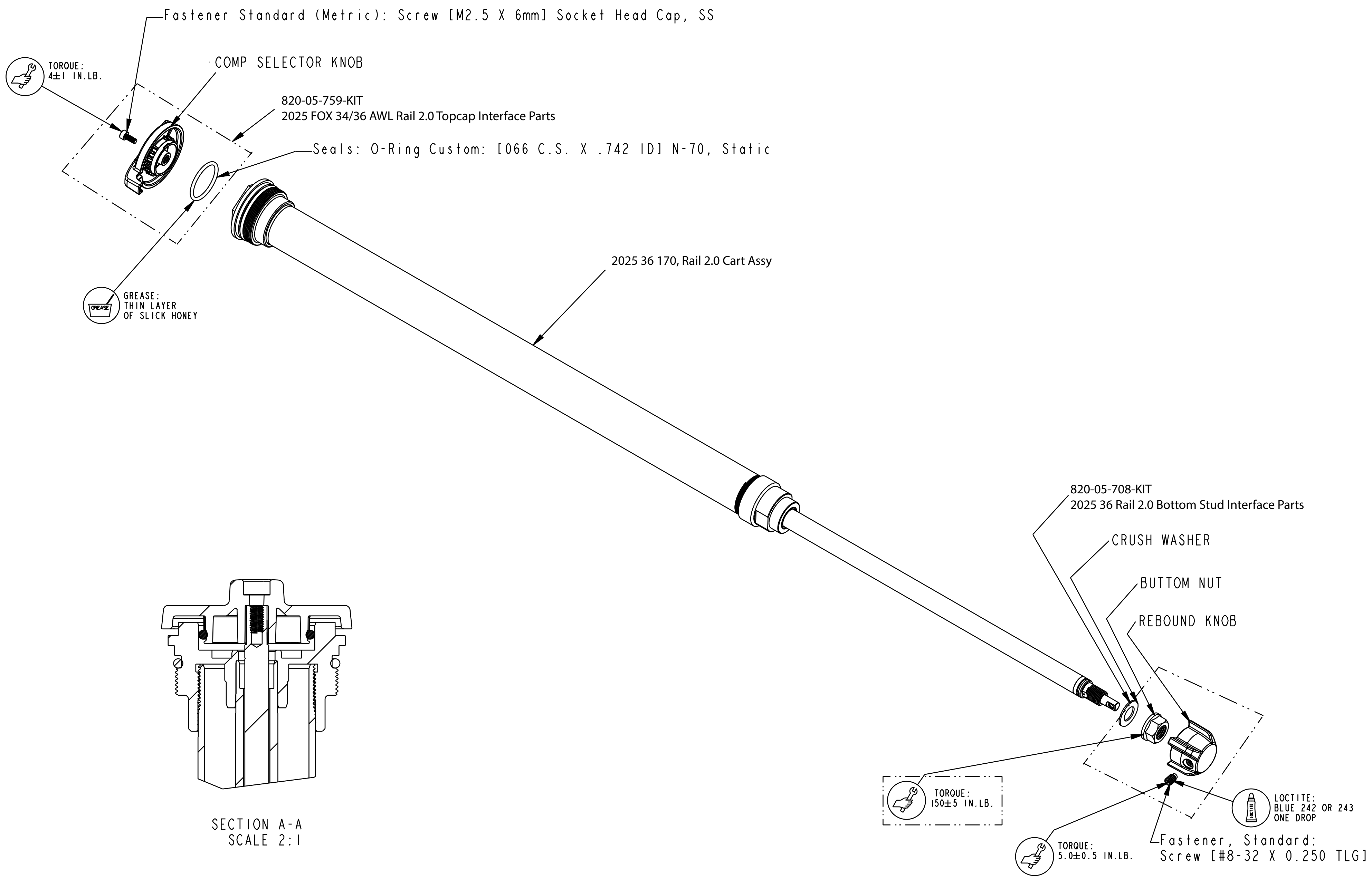


4

3

2

1



TORQUE:
4±1 IN. LB.

COMP SELECTOR KNOB

820-05-759-KIT
2025 FOX 34/36 AWL Rail 2.0 Topcap Interface Parts

Seals: O-Ring Custom: [066 C.S. X .742 ID] N-70, Static

2025 36 170, Rail 2.0 Cart Assy

GREASE:
THIN LAYER
OF SLICK HONEY

820-05-708-KIT
2025 36 Rail 2.0 Bottom Stud Interface Parts

CRUSH WASHER

BOTTOM NUT

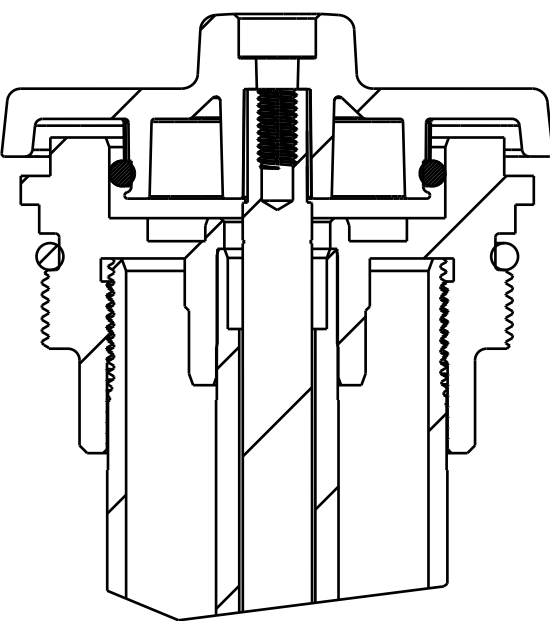
REBOUND KNOB

TORQUE:
150±5 IN. LB.

LOCTITE:
BLUE 242 OR 243
ONE DROP

TORQUE:
5.0±0.5 IN. LB.

Fastener, Standard:
Screw [#8-32 X 0.250 TLG]



SECTION A-A
SCALE 2:1

FOX FOX Factory, Inc. Ph 831-768-1100
130 Hangar Way, Watsonville, CA 95076 USA Fax 831-768-9312

TITLE
2025 36 170, Rail 2.0 AWL
Cart Assy Complete

SIZE DWG. NO.
C 820-18-525-KIT

PLOT SCALE 0.75:1 SHEET 1 OF 2

PROPRIETARY
THIS DOCUMENT CONTAINS CONFIDENTIAL, PROPRIETARY INFORMATION
THAT IS FOX PROPERTY. DO NOT DISCLOSE TO OR DUPLICATE
FOR OTHERS EXCEPT AS AUTHORIZED BY FOX.

4

3

2

1

ProE ASSEM