

4

3

2

1

Spring, Check, Comp, Grip

SEE DETAIL Y

Piston Damping Comp 20.0 Bore, Rail 2.0

Fastener, Custom (Metric): Nut M4 X .7

Bearing, External: Glide Ring, Molded, Rail 2.0

Valve: Metric [18.50mm OD X 5.55mm ID X 0.25mm THK] Custom, Check

820-03-759-KIT  
2025 Rail 2.0 Compression Valving

GREASE:  
THIN LAYER  
OF SLICK HONEY

GREASE:  
CLUMP LEVEL  
OF BLUE ULTRAPLEX LT2 GREASE (025-01-027)

Seals: O-Ring [4.0mm ID x 1.5mm CS] Metric, N-70, Static

TORQUE:  
16±5 IN.LB.

LOCTITE:  
RED 263  
1-2 DROPS

DETAIL Y  
SCALE 4:1

COMP NEEDLE

IMPORTANT:  
DO NOT PINCH VALVES •

IMPORTANT:  
ORIENTATION OF PISTON IS CRITICAL  
ONE RAISED RING TOWARDS TOPCAP

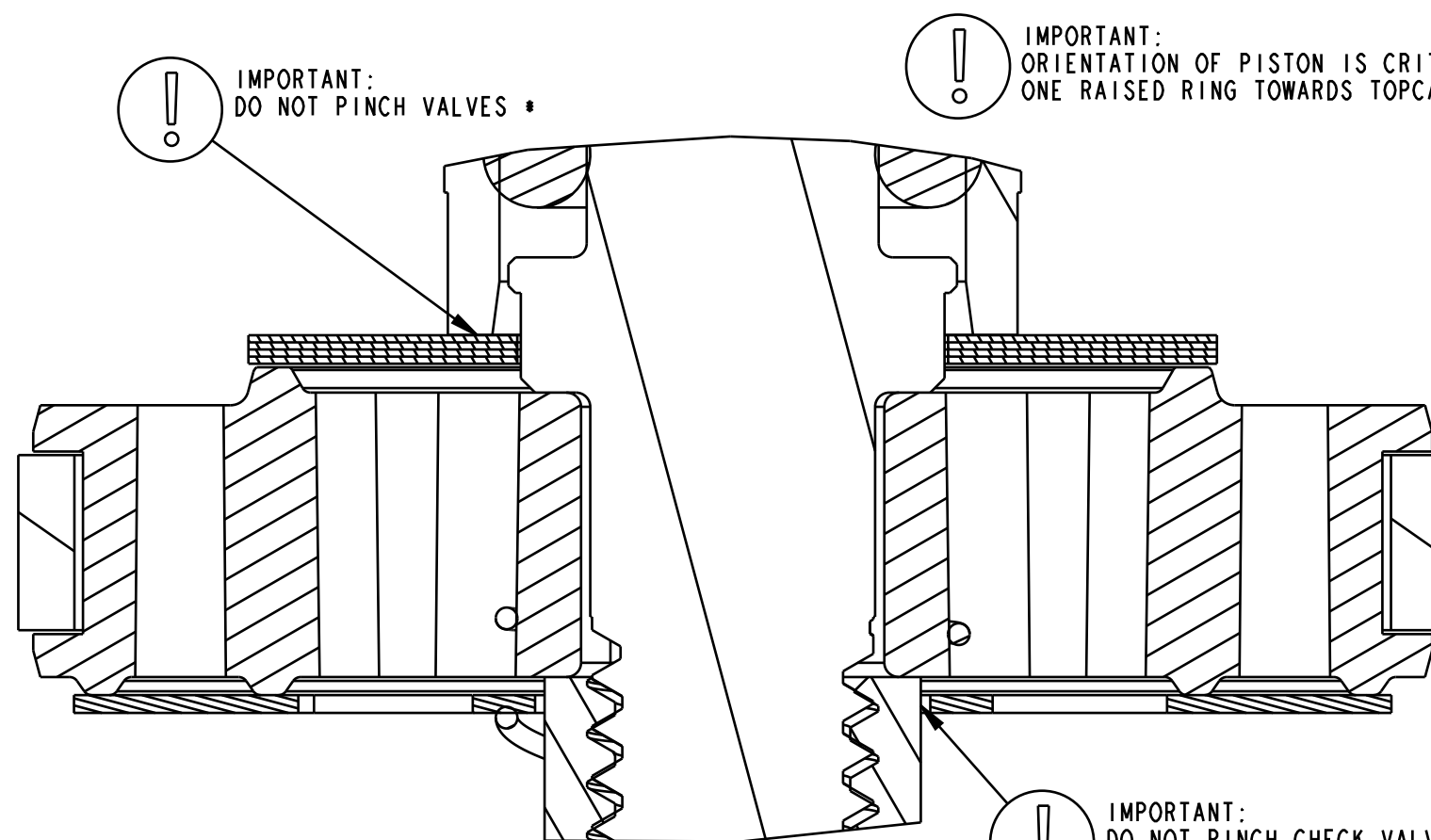
COMP SHAFT

GREASE:  
THIN LAYER  
OF SLICK HONEY

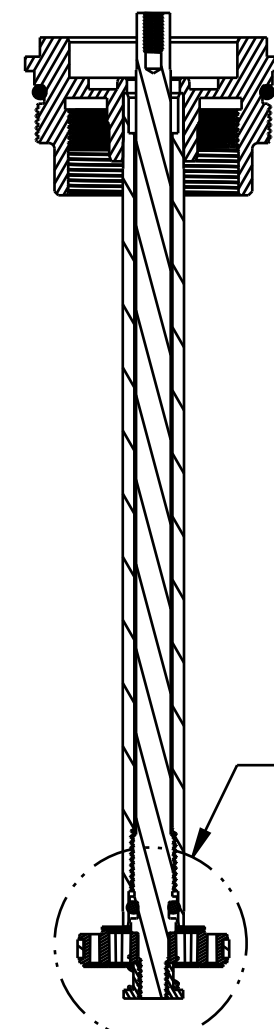
O-RING

TOPCAP BODY

BEARING (NOT ALL MODELS)



DETAIL Z  
SCALE 10:1



SECTION A-A

SEE DETAIL Z

<b>FOX</b> <b>FOX Factory, Inc.</b>		Ph 831-768-1100
130 Hangar Way, Watsonville, CA 95076 USA		Fax 831-768-9312
TITLE <b>2025 36 170, Rail 2.0 Damper, Topcap Assy</b>		
SIZE	DWG. NO.	
<b>C</b>	<b>820-05-772-KIT</b>	
PLOT SCALE	1:1	SHEET 1 OF 1

PROPRIETARY - THIS DOCUMENT CONTAINS CONFIDENTIAL, PROPRIETARY INFORMATION THAT IS FOX PROPERTY. DO NOT DISCLOSE TO OR DUPLICATE FOR OTHERS EXCEPT AS AUTHORIZED BY FOX.