

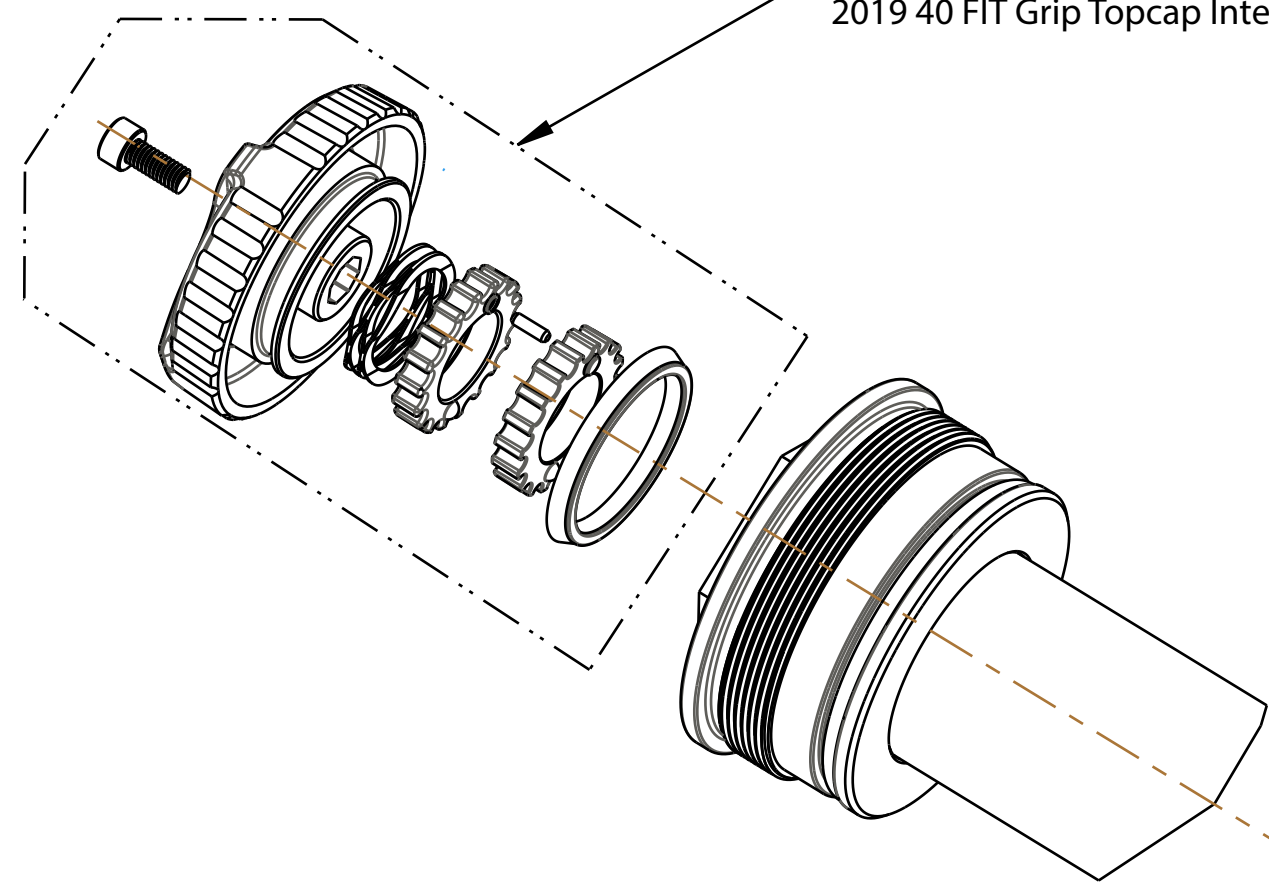
4

3

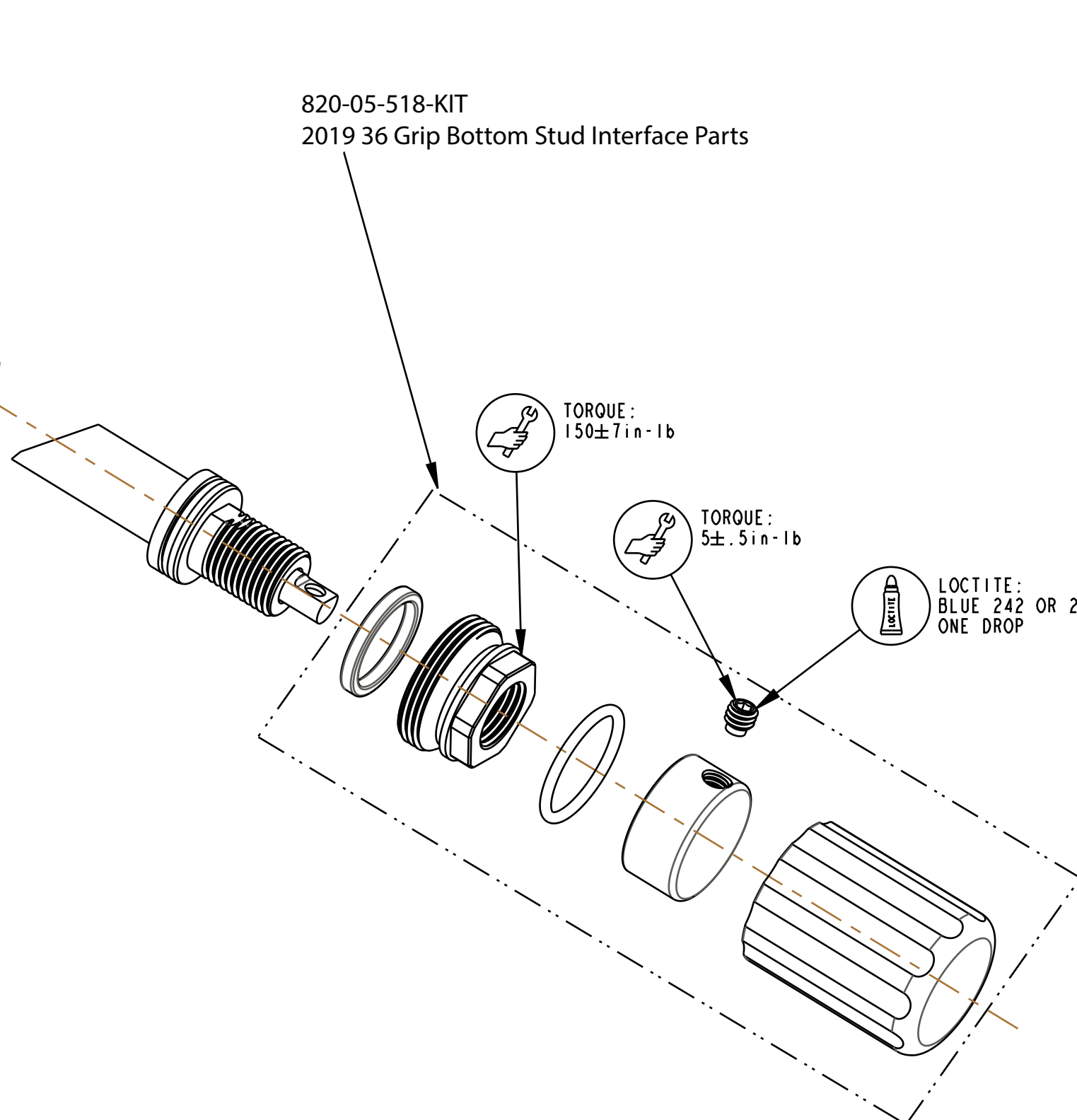
2

1

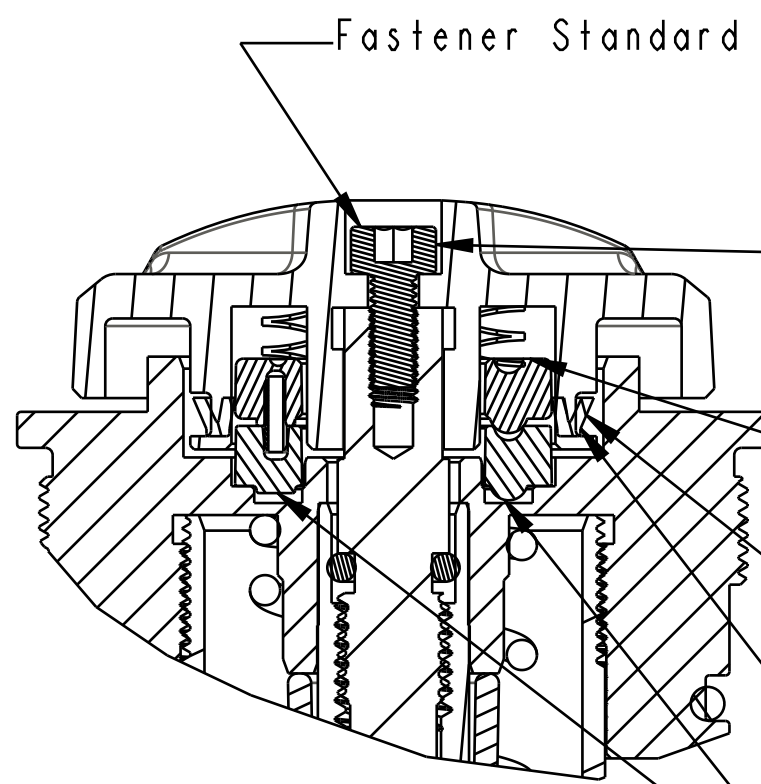
820-05-528-KIT
2019 40 FIT Grip Topcap Interface Parts



820-05-518-KIT
2019 36 Grip Bottom Stud Interface Parts



Fastener Standard (Metric): Screw [M2.5 X 6mm] Socket Head Cap, SS



TORQUE:
4 ± 1 in-lb

GREASE:
THIN LAYER
SLICK HONEY

IMPORTANT:
NOTE U-CUP
ORIENTATION

GREASE:
THIN LAYER
BLUE MARINE

IMPORTANT:
ENGAGE 2X FEATURES

SECTION A-A
SCALE 2.5:1

TORQUE:
150 ± 7 in-lb

TORQUE:
5 ± .5 in-lb

LOCTITE:
BLUE 242 OR 243
ONE DROP

FOX **FOX Factory, Inc.** Ph 831-768-1100
130 Hangar Way, Watsonville, CA 95076 USA Fax 831-768-9312

TITLE
**2025 40 27.5 & 29,
Grip Cart Assy Complete**

SIZE DWG. NO. **820-18-558-KIT**

PLOT SCALE 1.5:1 SHEET 1 OF 2

PROPRIETARY
THIS DOCUMENT CONTAINS CONFIDENTIAL, PROPRIETARY INFORMATION
THAT IS FOX PROPERTY. DO NOT DISCLOSE TO OR DUPLICATE
FOR OTHERS EXCEPT AS AUTHORIZED BY FOX.

4

3

2

PROE ASSEM