

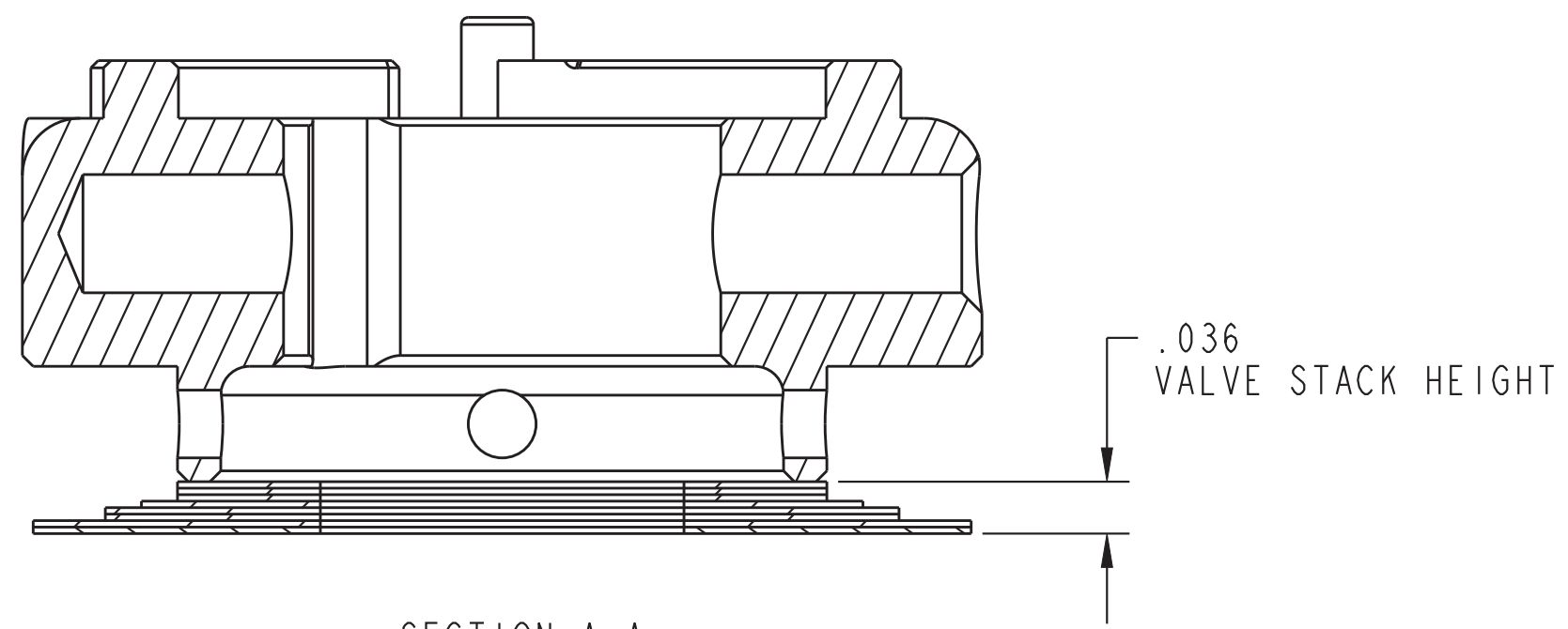
4

3

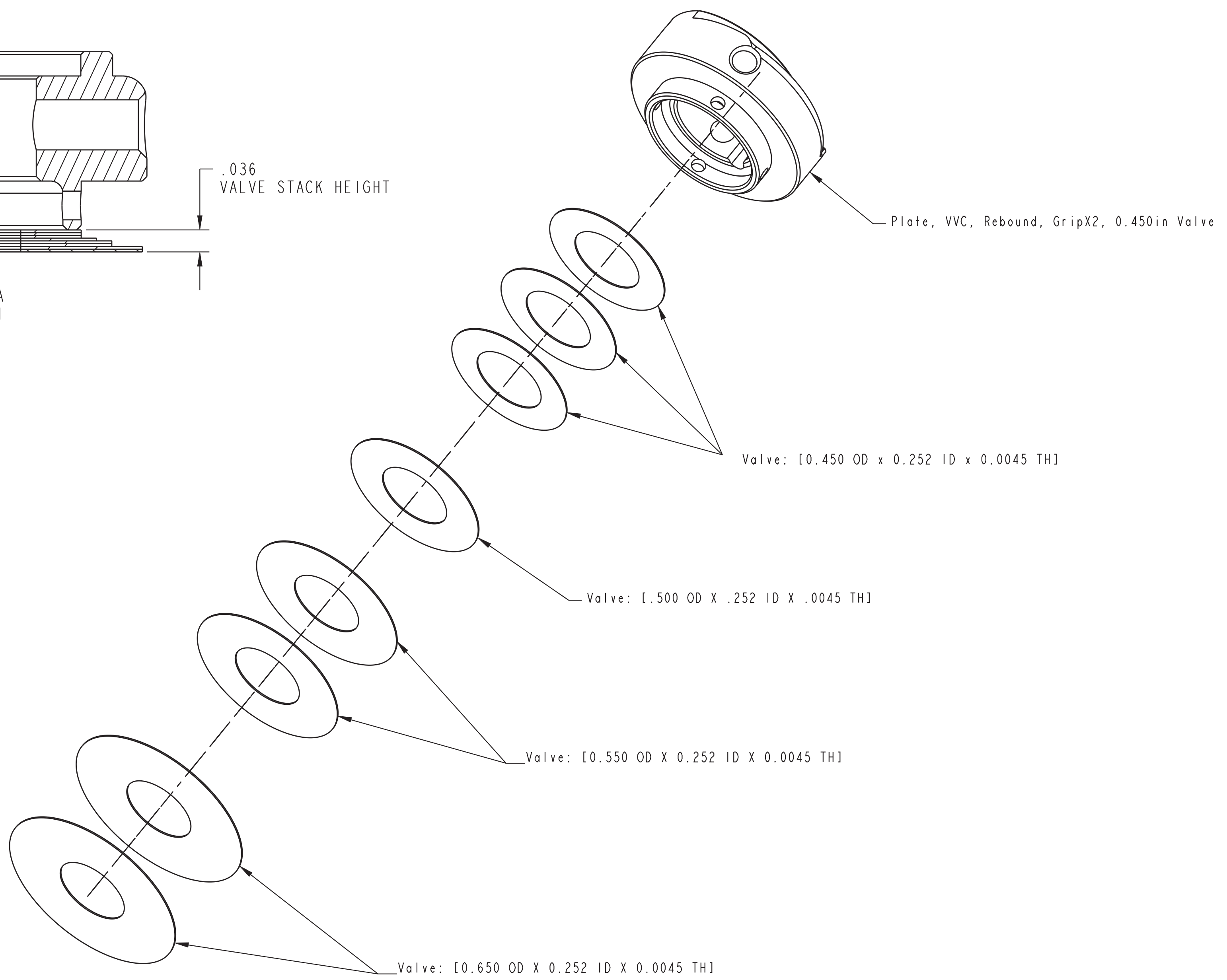
2

1

— PROPRIETARY —
 THIS DOCUMENT CONTAINS CONFIDENTIAL, PROPRIETARY
 INFORMATION THAT IS FOX PROPERTY. DO NOT DISCLOSE TO
 OR DUPLICATE FOR OTHERS EXCEPT AS AUTHORIZED BY FOX.



SECTION A-A
 SCALE 8:1



NOTES (UNLESS OTHERWISE SPECIFIED):
 1. ASSY TO BE CLEAN AND FREE OF ANY AND ALL DEBRIS

		FOX Factory, Inc. 2055 Sugarloaf Circle, Suite 300 Duluth, Ga 30097 USA Phone 800-369-7469	
TITLE		Valve Stack Assy: 2025 Grip X2, Rebound Valving, FIRM	
SIZE	DWG. NO.	REV	
C	820-03-779-KIT		
PLOT SCALE: 4:1		SHEET: 1 OF 1	

4

3

2

1